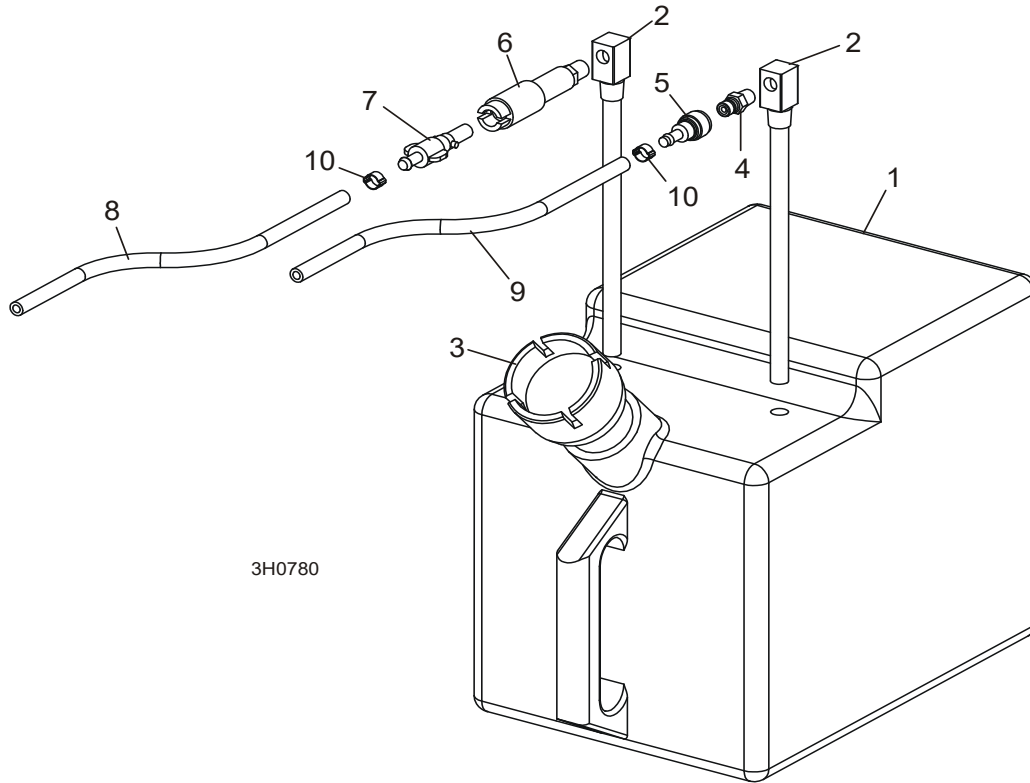


## SECTION 4 REPLACEMENT PARTS

### 4.1 Fuel Tank (D34/D36/D51)



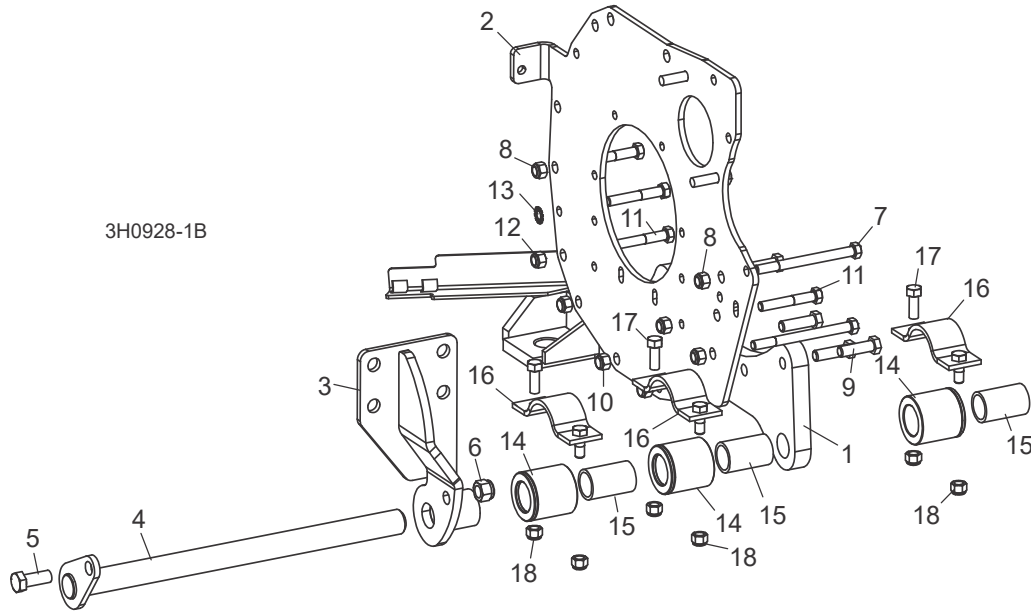
REF	DESCRIPTION (◆ Indicates Parts Available In Assemblies Only)	PART #	QTY.	
	<b>TANK ASSEMBLY, 5 GALLON DIESEL</b>	A12132	1	
1	Tank, 5 Gallon Fuel	P12166	1	◆
2	Pickup, 9" Fuel	P12172	2	
3	Cap, 3/5 Gallon Fuel Tank	P09683	1	
4	Fitting, 1/4" NPT Male Quick Disconnect	015583	1	
5	Fitting, Female Quick Disconnect Barb	015582	1	
6	Fitting, 1/4" NPT Plastic Female Disconnect	P12175	1	
7	Fitting, 1/4" Barb Plastic Male Disconnect	P12176	1	
8	<b>HOSE, 1/4" ID FUEL</b>	P642	7.1 Ft.	
9	<b>HOSE, 5/16" ID FUEL</b>	016338	9 Ft.	
10	<b>CLAMP, 7/32 - 1/2 HOSE</b>	P649	4	
	<b>ADDITIVE, DIESEL FUEL 16OZ BOTTLE</b>	004878 <sup>1</sup>	1	
	<b>BULB KIT, DIESEL PRIMER</b>	061080	1	

<sup>1</sup> Stanadyne Performance Formula helps eliminate contaminants and water in fuel, prevents gelling in cold weather, and improves lubrication of fuel system parts. 16 oz. bottle treats 60 gallons of diesel fuel.

# D51

## 4 Replacement Parts Engine Mount Assembly (D51)

### 4.2 Engine Mount Assembly (D51)



REF	DESCRIPTION (◆ Indicates Parts Available In Assemblies Only)	PART #	QTY.	
1	MOUNT WELDMENT, CAT ENGINE	046423	1	
2	MOUNT PLATE, CAT ENGINE REAR	046434 <sup>1</sup>	1	
3	MOUNT WELDMENT, CAT ENGINE FRONT	046425	1	
4	PIN WELDMENT, KUBOTA ENGINE MOUNT PIVOT	007399 <sup>2</sup>	1	
5	BOLT, 1/2-13 X 1 1/4" HEX HEAD GRADE 5	F05008-37	1	
6	NUT, 1/2-13 HEX NYLON LOCK	F05010-8	1	
7	BOLT, 3/8-16 X 4 1/2" HEX HEAD	F05007-35	2	
8	NUT, 3/8-16 HEX NYLON LOCK	F05010-10	5	
9	BOLT, 7/16-20 X 1 1/2" HEX HEAD FULL THREAD GRADE 5	F05007-156	4	
10	NUT, 7/16-20 HEX NYLON LOCK	F05010-83	4	
11	BOLT, 3/8-16 X 2 1/2" HEX HEAD GRADE 5	F05007-125	3	
12	WASHER, 3/8" STAR LOCK	F05011-36	1	
13	WASHER, 1/2" STAR LOCK	F05011-39	1	
	BUSHING ASSEMBLY, MOTOR MOUNT	016380	3	
14	Bushing, 2" OD x 2"	016378	1	◆
15	Bearing, 1" x 1 1/4" x 2"	016379	1	◆
16	CLAMP WELDMENT, MOTOR MOUNT	014540	3	
17	BOLT, 3/8-16 X 1" HEX HEAD	F05007-7	3	
18	NUT, 3/8-16 HEX NYLON LOCK	F05010-10	6	

<sup>1</sup> Plate changed to weldment to accept idler pulley guard ([See Section 4.9](#)) and improve electrical grounding (LT30 Super Rev. J3.01, LT40 Super Rev. J4.01 and LT30HD/40HD Super Rev. J8.01).

# D51

## Replacement Parts **4**

*Engine Mount Assembly (D51)*

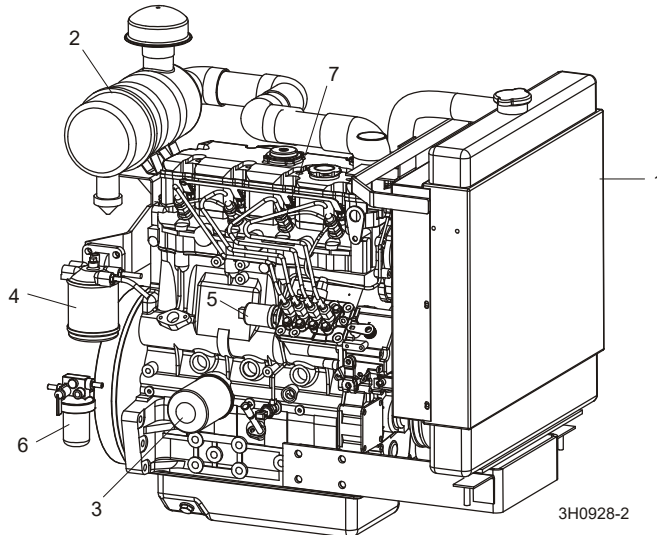
---

<sup>2</sup> Pin Weldment 007399 replaces 015855 originally supplied prior to 8/09. Longer pin allows complete engagement in motor mount bushings.

# D51

## 4 Replacement Parts Engine Assembly

### 4.3 Engine Assembly



REF	DESCRIPTION (◆ Indicates Parts Available In Assemblies Only)	PART #	QTY.
	<b>COVER, D51 ENGINE</b>	036516	1
	<b>ENGINE, CATERPILLAR 3024C 51HP</b>	046421	1
<b>1</b>	Radiator Parts ( <a href="#">See Section 4.8</a> )		
<b>2</b>	Air Cleaner Parts (Enginaire VLR supplied after 2/05 - <a href="#">See Section 4.6</a> ) Air Cleaner Parts (Baldwin supplied before 2/05 - <a href="#">See Section 4.7</a> )		
<b>3</b>	Filter, Caterpillar Oil #150-4140	046066	1
<b>4</b>	Filter Assembly, Caterpillar Fuel #033-7854	046069	1
	Filter, Caterpillar Fuel #067-6987	046068	1
	Pump, Caterpillar Fuel Transfer #176-7712	046070	1
	O-Ring, Caterpillar Fuel Pump Mount #176-7719	046071	1
<b>5</b>	Solenoid, Caterpillar Fuel Shutoff #217-5204	046072 <sup>1</sup>	1
<b>6</b>	Filter Assembly, Caterpillar Fuel/Water Separator #183-5455	046073	1
	Filter, Caterpillar Fuel/Water Separator #183-5446	046074	1
	O-Ring, Fuel/Water Separator Mount #183-5444	046075	1
<b>7</b>	Plug, Caterpillar Glow #172-4585	046076	3
	Switch, Caterpillar Oil Pressure #217-5791	046077 <sup>1</sup>	1
	Switch, Caterpillar Water Temp #217-5793	046078 <sup>1</sup>	1
	Washer, Caterpillar Oil Pressure Switch Mount #153-5936	046079	1
	Starter, Caterpillar Engine #163-3361	046080	1
	Gasket, Caterpillar Exhaust Flange #153-7920	046067	1
	Gasket, Caterpillar Valve Cover #217-5866	046065	1
	Belt, Caterpillar Engine Fan (37") #1250-0351	054956	1
	<b>HEATER, CAT ENGINE BLOCK #3100049 (OPTIONAL)</b>	038422	1
	<b>SUPPORT ASSEMBLY, CAT BEARING LT40/50 (D51) (OPTIONAL) (<a href="#">See Section 4.13</a>)</b>		

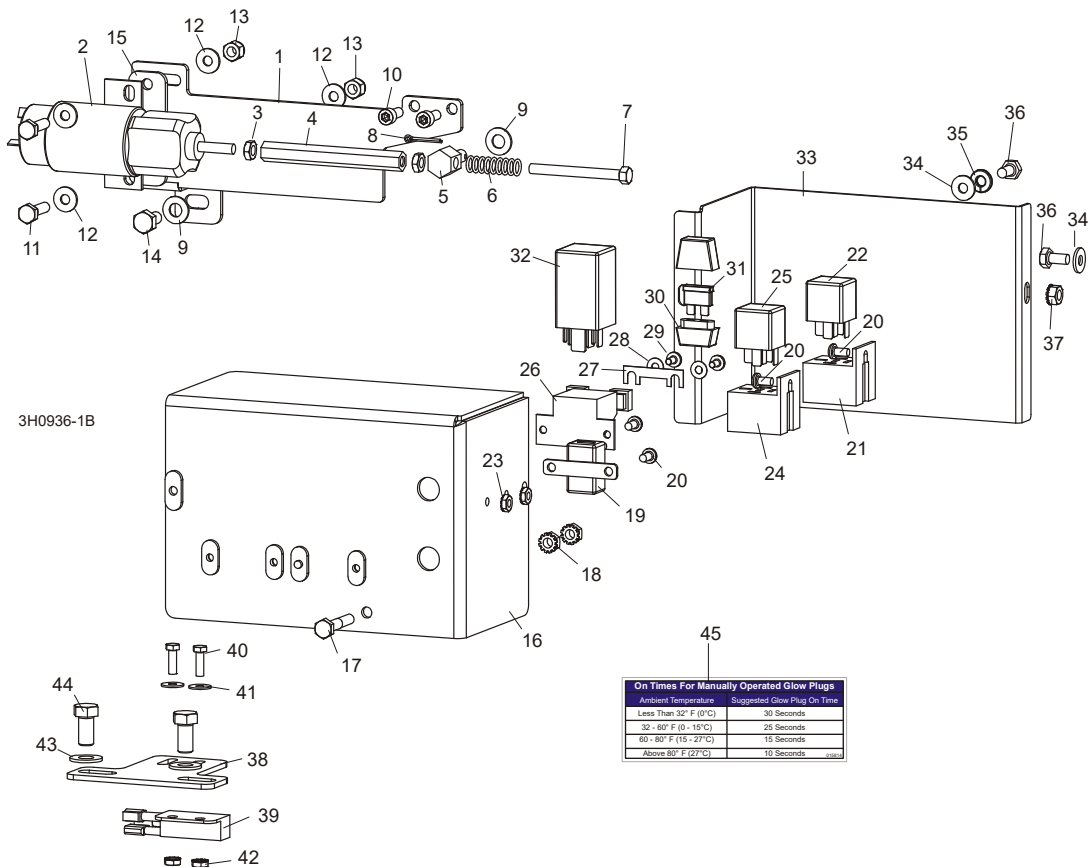
<sup>1</sup> Use Adapter Cable 052267 to connect Fuel Shutoff Solenoid, Oil Pressure Switch or Temperature Switch to sawmills prior to LT30 Super Rev. J3.04, LT40 Super Rev. J4.04 and LT30HD/40HD Super Rev. J8.04.

# D51

## Replacement Parts Relay/Throttle Assembly (D51)

4

### 4.4 Relay/Throttle Assembly (D51)



REF	DESCRIPTION (◆ Indicates Parts Available In Assemblies Only)	PART #	QTY.
1	BRACKET, THROTTLE ACTUATOR MOUNT	045625	1
	SOLENOID KIT, THROTTLE, YANMAR/CAT	074475	1
2	Solenoid, Throttle	045848	1
	Instruction Sheet, Solenoid Adjustment	074475-2058	1
3	NUT, 1/4-28 HEX JAM	F05010-113	2
4	LINK, THROTTLE ACTUATOR	045850	1
5	PIN, THROTTLE ACTUATOR	045849	1
6	SPRING, .42" X 1.34" X .061"	P11644	1
7	BOLT, 1/4-28 X 2 1/2" HEX HEAD GRADE 5	F05005-159	1
8	PIN, 3/32" X 3/4" COTTER	F05012-9	1
9	WASHER, 5/16" SAE FLAT	F05011-17	2
10	BOLT, M6-1.0 X 16MM SOCKET HEAD	F05004-206	2
11	BOLT, 1/4-20 X 1" HEX HEAD GRADE 5	F05005-101	2
12	WASHER, 1/4" SAE FLAT	F05011-11	4
13	NUT, 1/4-20 HEX NYLON LOCK	F05010-69	2
14	BOLT, M8-1.25 X 16MM HEX HEAD	F05004-47	1
15	PLATE, THROTTLE SOLENOID SPACER	046023	1

# D51

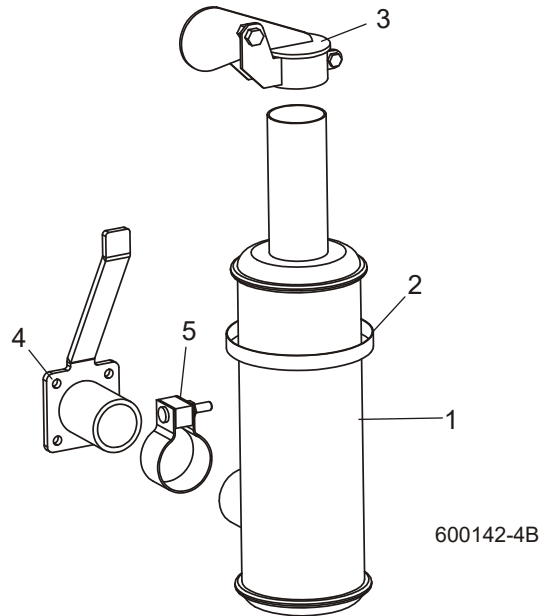
**4**

## Replacement Parts

Relay/Throttle Assembly (D51)

	<b>BRACKET ASSEMBLY, CATERPILLAR GLOW PLUG/THROTTLE RELAY (2005)</b>	052236	1	
	<b>BRACKET ASSEMBLY, CATERPILLAR GLOW PLUG/THROTTLE RELAY</b>	051339 <sup>2</sup>	1	
16	Bracket Weldment, Glow Plug Relay Mount	036269	1	
17	Bolt, 1/4-20 x 1 1/2" Hex Head Full Thread	F05005-31	1	
18	Nut, 1/4-20 Self-Locking Hex	F05010-9	2	
19	Breaker, 15A Manual Reset Circuit	E20430	1	
20	Screw, #10-24 x 3/8" Phillips Head	F05004-3	6	
	Relay Assembly, Caterpillar Autoclutch Engage	051338	1	
	Socket Assembly, Throttle Relay Replacement	052829	1	
21	Socket, Relay Plug	050033	1	
22	Relay, Throttle	051335	1	
23	Nut, #10-24 Self-Locking Hex	F05010-14	2	
	Relay Assembly, Caterpillar Starter	051449	1	
	Socket Assembly, Starter Relay Replacement	052828	1	
24	Socket, Relay Plug	050033	1	
25	Relay, Starter	051335	1	
	Harness Assembly, Caterpillar Relay (2005)	052235	1	
	Harness Assembly, Caterpillar Relay	051272 <sup>2</sup>	1	
	Socket Assembly, Glow Plug Relay Replacement	052827	1	
26	Socket, Glow Plug Relay w/Fuse Holder	024554	1	
27	Fuse Link, 50 Amp	024597	1	
28	Washer, M5 Wave	F81052-4	2	
29	Screw, M5-0.8 x 8mm Phillips Head Black Oxide	F81000-14	2	
30	Fuseholder, In-Line 3-20A ATC w/Cover	024555	1	
31	Fuse, 4A ATO Blade (Pink)	024150-4	1	
	Resistor Kit, Caterpillar Glow Plug	052663	1	
32	Relay, Glow Plug	023359	1	
33	<b>COVER, RELAY ASSEMBLY</b>	045824	1	
34	<b>WASHER, 1/4" SAE FLAT</b>	F05011-11	2	
35	<b>WASHER, 1/4" SPLIT LOCK</b>	F05011-14	1	
36	<b>BOLT, 1/4-20 X 1/2" HEX HEAD</b>	F05005-15	2	
37	<b>NUT, 1/4-20 SELF-LOCKING HEX</b>	F05010-9	1	
38	<b>BRACKET, SENSOR MOUNT</b>	016617	1	
39	<b>SENSOR, CATERPILLAR THROTTLE</b>	051436	1	
40	<b>BOLT, #10-24 X 5/8" HEX HEAD</b>	F05004-18	2	
41	<b>WASHER, #10 SAE FLAT</b>	F05011-18	2	
42	<b>NUT, #10-24 SELF-LOCKING HEX</b>	F05010-14	2	
43	<b>WASHER, 3/8" SAE FLAT</b>	F05011-3	2	
44	<b>BOLT, 3/8-16 X 3/4" HEX HEAD</b>	F05007-27	2	
45	<b>DECAL, GLOW PLUG OPERATION</b>	015814	1	

## 4.5 Muffler Assembly



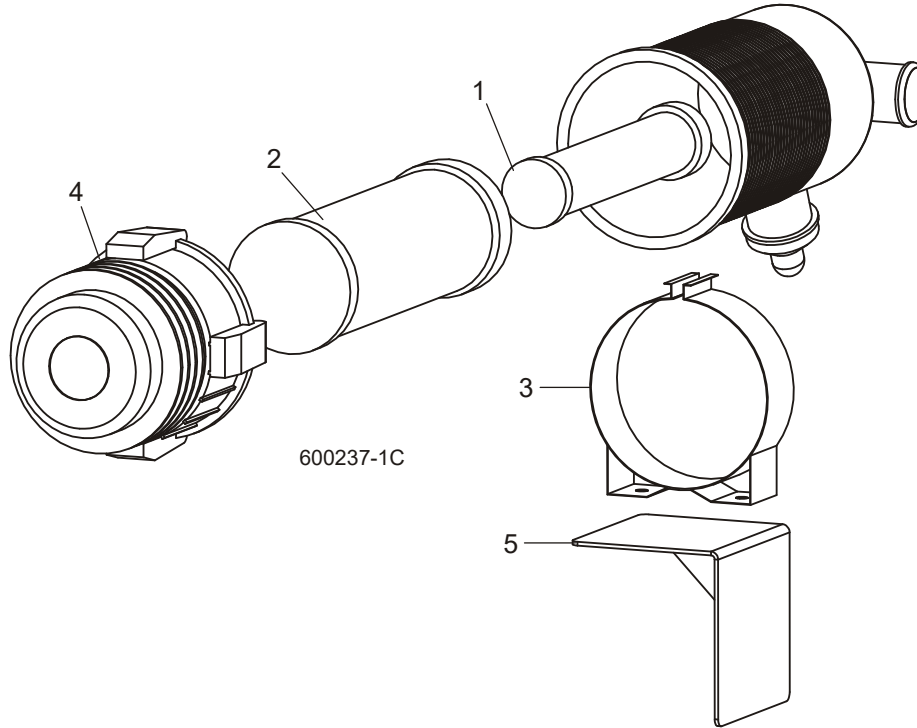
REF	DESCRIPTION (◆ Indicates Parts Available In Assemblies Only)	PART #	QTY.	
1	MUFFLER	014093	1	
2	CLAMP, 5" WORM	014096	1	
3	CAP, EXHAUST RAIN DEFLECTOR	038438 <sup>1</sup>	1	
4	BRACKET WELDMENT, MUFFLER MOUNT	045627	1	
5	CLAMP, MUFFLER 2" NELSON 90869A	014205	1	

<sup>1</sup> Rain Deflector Cap 038438 replaces Stack 014094 and Clamp 014095 to prevent water from entering muffler and engine (LT40 Super Rev. J4.05 and LT30HD/LT40HD Super Rev. J8.06). Customers with previous revisions should retrofit stack with cap.

## 4 Replacement Parts Air Cleaner Assembly

### 4.6 Air Cleaner Assembly

2/05 and later

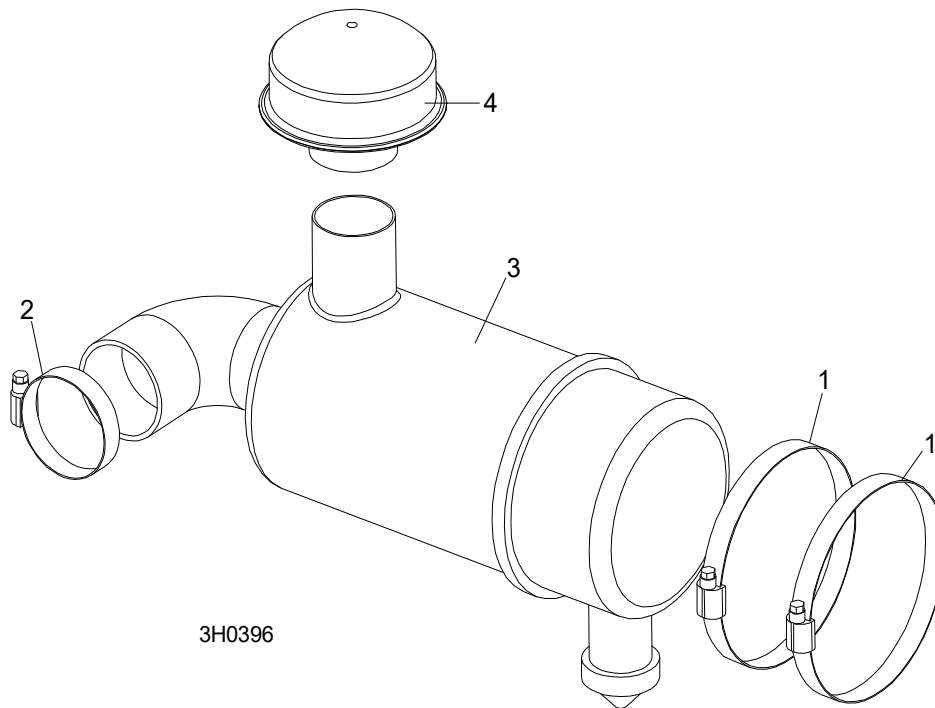


REF	DESCRIPTION (◆ Indicates Parts Available In Assemblies Only)	PART #	QTY.
	<b>CLEANER, CAT AIR #13000359</b>	061051	1
1	Element, Air Cleaner Secondary	028598	1
2	Element, Air Cleaner Primary	028597	1
3	Strap, Cat Air Cleaner Mount	057785	1
4	Cap, Cat Air Cleaner	057917	1
5	<b>MOUNT WELDMENT, CAT AIR CLEANER MOUNT</b>	057786	1



## 4.7 Air Cleaner Assembly

Before 2/05

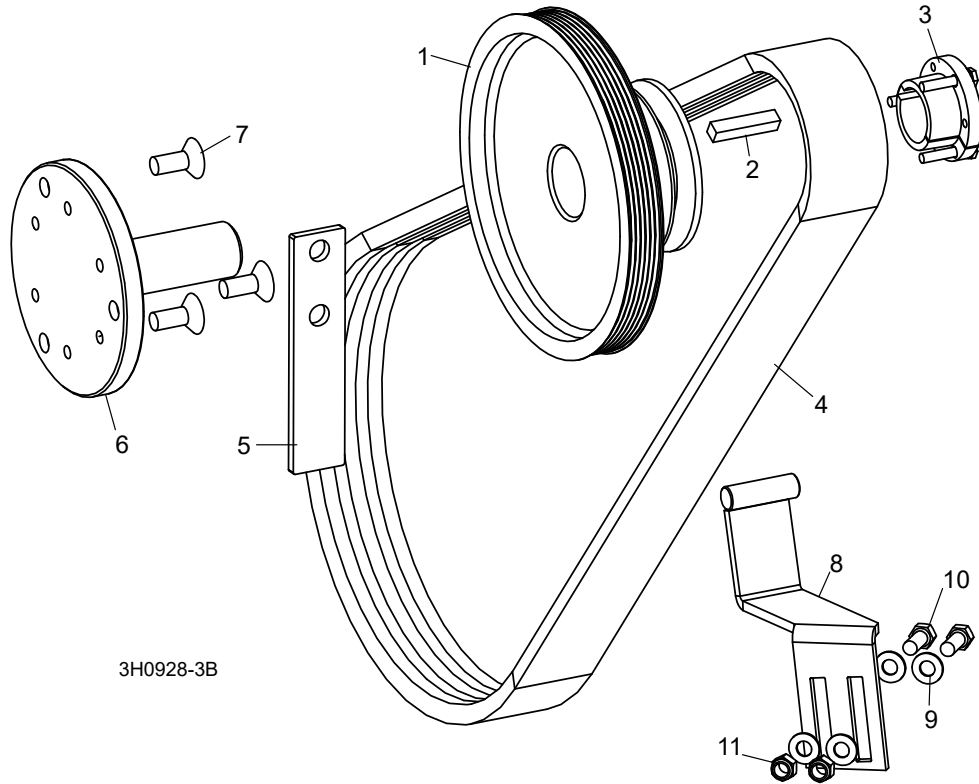


REF	DESCRIPTION (◆ Indicates Parts Available In Assemblies Only)	PART #	QTY.	
1	CLAMP, 5" WORM	014096	2	
2	CLAMP 2 1/2" WORM	P09895	1	
3	CLEANER, WISCONSIN AIR	014246	1	
	Filter, Air Cleaner Cartridge	014386	1	
4	COVER, WISCONSIN ENGINE	014247	1	

# D51

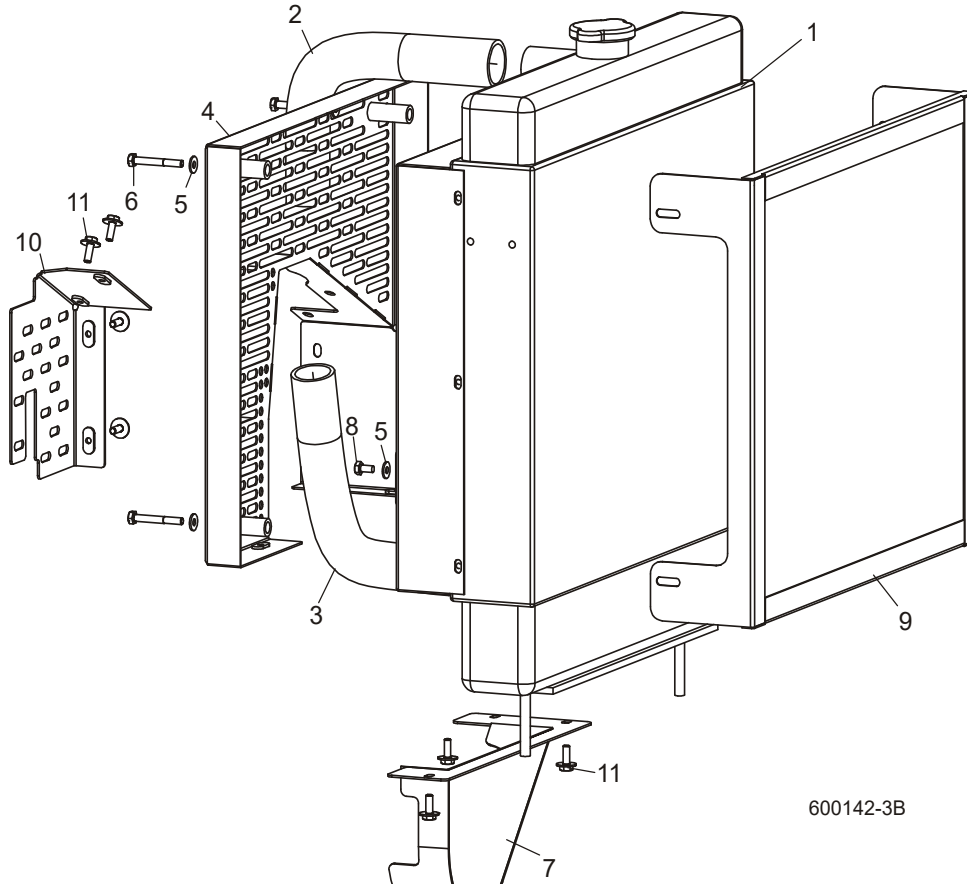
## 4 Replacement Parts Drive Assembly (D34/D51)

### 4.8 Drive Assembly (D34/D51)



REF	DESCRIPTION (◆ Indicates Parts Available In Assemblies Only)	PART #	QTY.
1	SHEAVE, 5V X 4.46" POLY V (GAS/DIESEL)	016533	1
2	KEY, 3/8" X 3/8" X 1 7/8"	014693	1
3	BUSHING, SH X 1 7/16"	016535	1
4	BELT, 3/5VL770	046571	1
5	PLATE, ENGINE STOP	046449	1
6	SHAFT, CATERPILLAR DRIVE STUB	045633	1
7	BOLT, M12-1.75 X 30MM FLAT SOCKET HEAD	F05007-194	3
8	BRACKET, DRIVE BELT SUPPORT	016364	1
9	WASHER, 3/8" SAE FLAT	F05011-3	4
10	BOLT, 3/8-16 X 1" HEX HEAD	F05007-7	2
11	NUT, 3/8-16 HEX NYLON LOCK	F05010-10	2

## 4.9 Radiator Assembly (D51)



REF	DESCRIPTION (◆ Indicates Parts Available In Assemblies Only)	PART #	QTY.
1	RADIATOR, CATERPILLAR DIESEL ENGINE	046019	1
2	HOSE, UPPER CAT RADIATOR	046027	1
3	HOSE, LOWER CAT RADIATOR	046028	1
4	GUARD WELDMENT, REAR CAT RADIATOR	046015	1
5	WASHER, 1/4" SAE FLAT	F05011-11	4
6	BOLT, 1/4-20 X 2" HEX HEAD GRADE 5	F05005-125	3
7	GUARD WELDMENT, LOWER CAT RADIATOR	045847 <sup>1</sup>	1
8	BOLT, 1/4-20 X 1/2" HEX HEAD	F05005-15	1
9	GUARD WELDMENT, FRONT CAT RADIATOR	045616	1
10	GUARD WELDMENT, CAT IDLER PULLEY	036656 <sup>2</sup>	1
11	SCREW, 1/4-20 X 3/4" HEX W/CONICAL WASHER HEAD	F05005-134	7
	BUSHING, UPPER RADIATOR MOUNT D51/D62	061084	2
	BUSHING, LOWER RADIATOR MOUNT D51/D62	061085	2

<sup>1</sup> Non-Hydro sawmill only. [See Section 4.12](#) for optional guard for sawmill equipped with Hydro system.

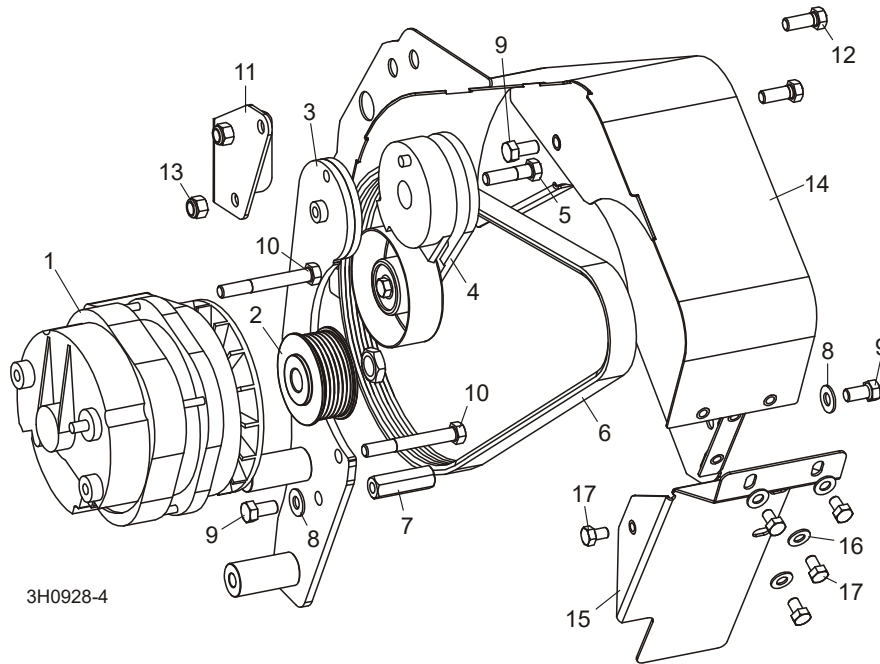
# D51

## **4** Replacement Parts *Radiator Assembly (D51)*

---

<sup>2</sup> Added to guard idler pulley supplied in place of unused alternator (LT30 Super Rev. J3.01, LT40 Super Rev. J4.01, LT30HD/40HD Super Rev. J8.01).

## 4.10 Alternator Assembly (D51)



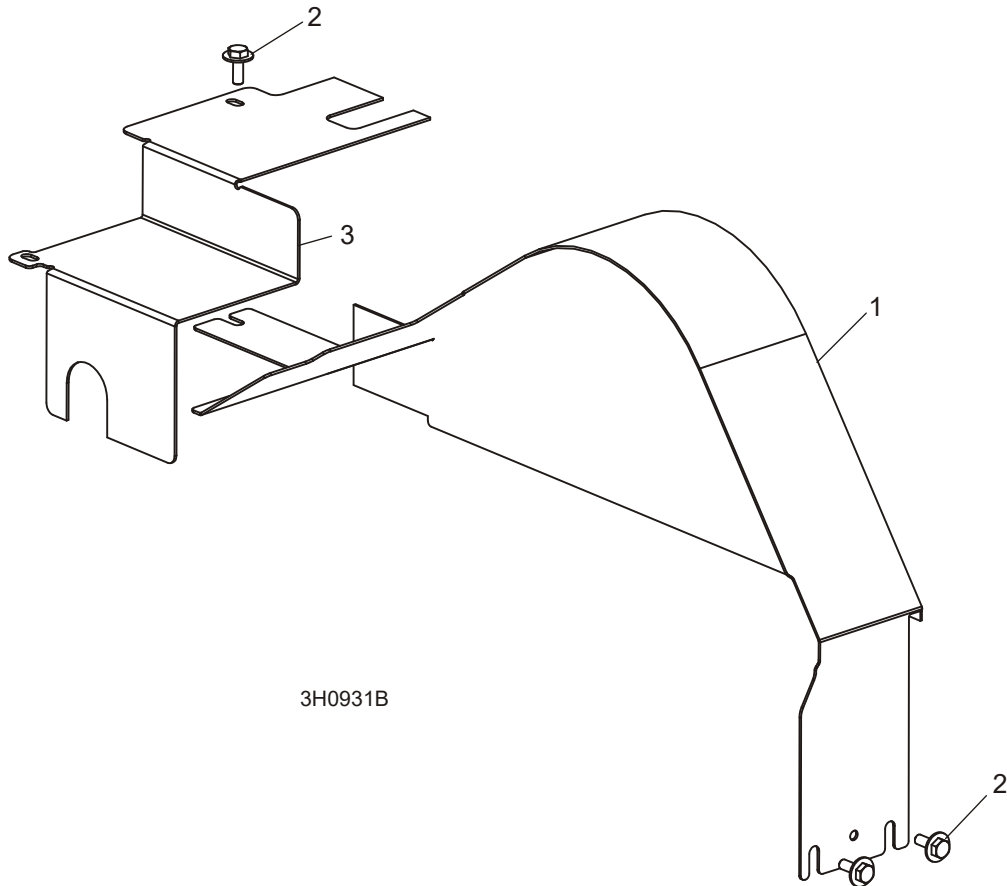
REF	DESCRIPTION (◆ Indicates Parts Available In Assemblies Only)	PART #	QTY.	
	<b>WIRE ASSEMBLY, ALTERNATOR PLUG</b>	024537	1	
	<b>ALTERNATOR ASSEMBLY, 140 AMP</b>	046429 <sup>1</sup>	1	◆
1	Alternator, 140 Amp	023695	1	
2	Pulley, 2 3/4" Dia. Alternator	046402	1	
3	<b>MOUNT WELDMENT, ALTERNATOR TENSION</b>	046435	1	
4	<b>TENSIONER, ALTERNATOR BELT</b>	034464	1	
5	<b>BOLT, 3/8-16 X 1 1/2" HEX HEAD GRADE 5</b>	F05007-78	1	
6	<b>BELT, 6PK1055 FIBERGLASS</b>	034513 <sup>2</sup>	1	
7	<b>SPACER, ALTERNATOR IDLER</b>	034771	1	
8	<b>WASHER, 3/8" SAE FLAT</b>	F05011-3	2	
9	<b>BOLT, 3/8-16 X 3/4" HEX HEAD</b>	F05007-27	3	
10	<b>BOLT, 3/8-16 X 3" HEX HEAD GRADE 5</b>	F05007-73	2	
11	<b>PLATE, FUEL FILTER MOUNT</b>	046021	1	
12	<b>BOLT, 3/8-16 X 1" HEX HEAD GRADE 5</b>	F05007-87	2	
13	<b>NUT, 3/8-16 HEX NYLON LOCK</b>	F05010-10	2	
14	<b>GUARD WELDMENT, D51 ALTERNATOR BELT</b>	046436	1	
15	<b>GUARD WELDMENT, LOWER D51 ALTERNATOR</b>	046442	1	
16	<b>WASHER, 5/16" SAE FLAT</b>	F05011-17	4	
17	<b>BOLT, 5/16-18 X 1/2" HEX HEAD GRADE 5</b>	F05006-15	5	

<sup>1</sup> Alternator assembly no longer available for service. Purchase component parts.

<sup>2</sup> 034513 description was 6PK415 (changed by Goodyear to metric 5/08).

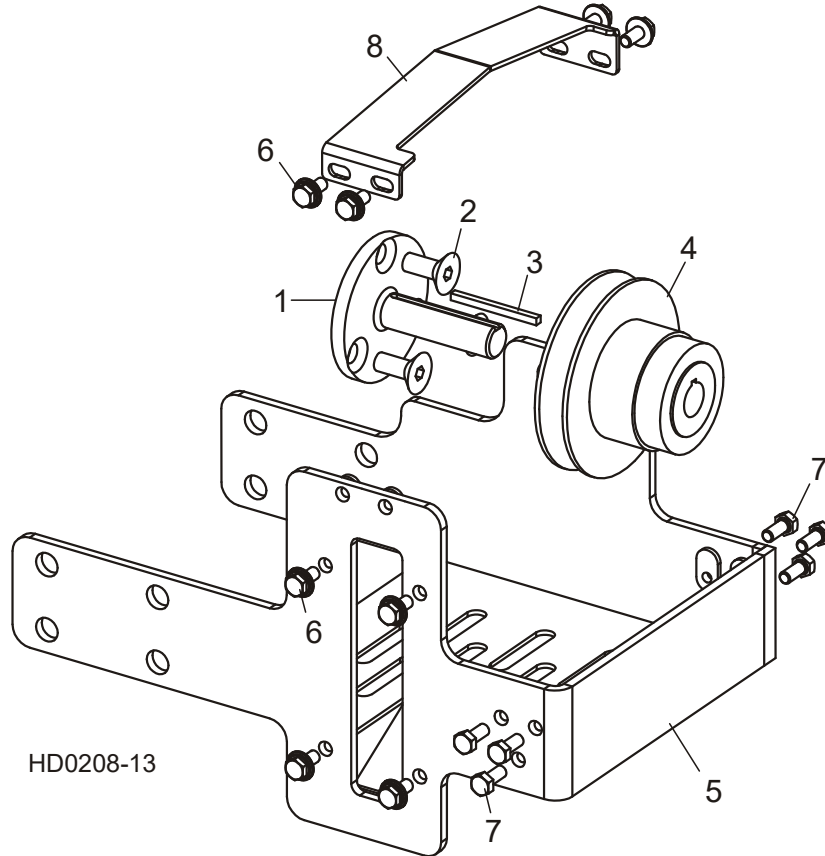
## 4 Replacement Parts Engine Pulley Guards (D34/D36/D51)

### 4.11 Engine Pulley Guards (D34/D36/D51)



REF	DESCRIPTION (◆ Indicates Parts Available In Assemblies Only)	PART #	QTY.	
1	GUARD WELDMENT, CATERPILLAR ENGINE PULLEY	046560	1	
2	BOLT, 1/4-20 X 3/4" HEX HEAD WITH CONICAL WASHER	F05005-134	3	
3	GUARD, SIDE ENGINE PULLEY	016152	1	

## 4.12 Hydro Drive (LT40HDD51-H only)

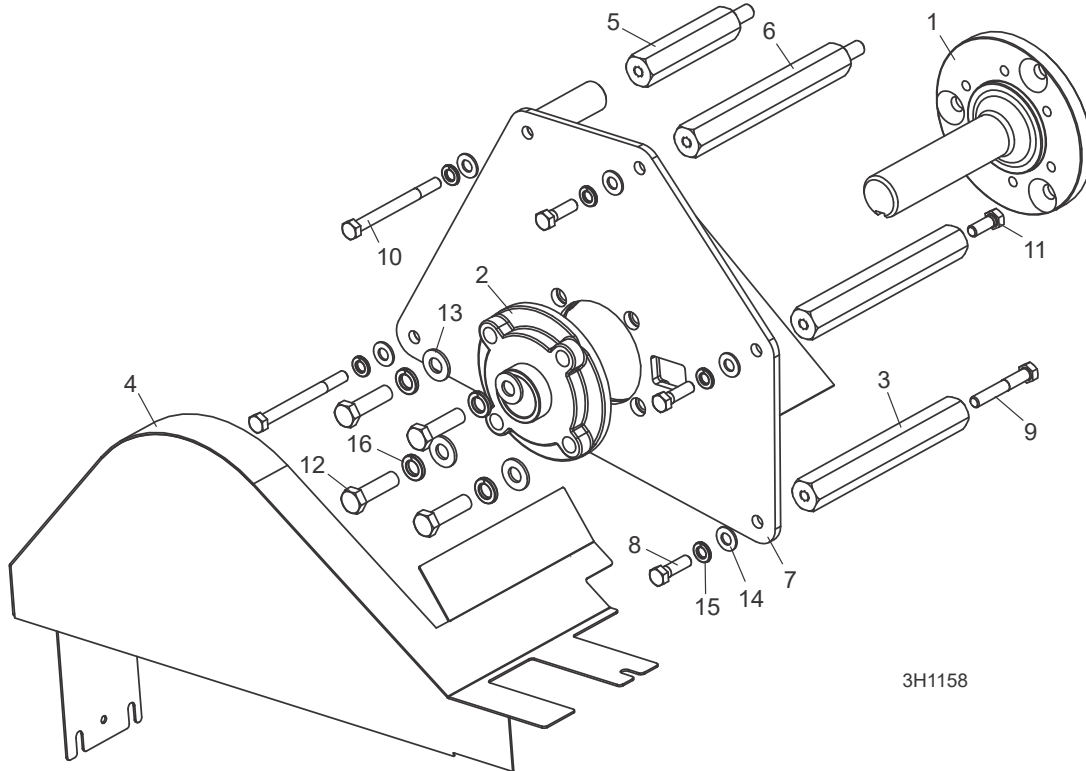


REF	DESCRIPTION (◆ Indicates Parts Available In Assemblies Only)	PART #	QTY.
1	SHAFT, FRONT OUTPUT	055296	1
2	BOLT, M12-1.75 X 30MM FLAT HEAD	F05007-194	3
3	KEY, 3/16" SQUARE X 2 1/2" LONG	003826	1
4	PULLEY, 7/8 VARIABLE CENTER/PITCH	003821	1
5	FRAME WELDMENT, LOWER RADIATOR	056333	1
6	BOLT, 5/16-18 X 3/4" HEX HEAD W/FLAT & LOCK WASHER	F05006-101	8
7	BOLT, 5/16-18 X 3/4" HEX HEAD GRADE 5	F05006-102	6
8	PLATE, FRONT OUTPUT COVER	003825	1

# D51

## 4 Replacement Parts Bearing Support (D51) (Optional)

### 4.13 Bearing Support (D51) (Optional)



REF	DESCRIPTION (◆ Indicates Parts Available In Assemblies Only)	PART #	QTY.
	<b>SUPPORT ASSEMBLY, CAT BEARING LT40/50 (D51)</b>	061131	1
1	Shaft, Caterpillar Stub Bearing Support	071325	1
2	Bearing, 1-7/16 4-Bolt Flange	071491	1
3	Spacer, 1 Hex x 7.31	075533	2
4	Guard Weldment, Cat Top Pulley	075534	1
5	Spacer, 1 Hex x 4.31	075754	1
6	Spacer, 1 Hex x7.31, w/Stud	075755	1
7	Weldment, Cat Bearing Support	075757	1
8	Bolt, 3/8-16x1 1/4 Hex Head Grade 5	F05007-123	3
9	Bolt, 3/8-16x2 1/2 Hex Head Grade 5	F05007-125	1
10	Bolt, 3/8-16x4 Hex Head Grade 5	F05007-126	2
11	Bolt, 3/8-16x1 Hex Head Grade 5	F05007-87	1
12	Bolt, 1/2-13x1 3/4" Hex Head Grade 5 FT	F05008-88	4
13	Washer, 1/2" SAE Flat	F05011-2	4
14	Washer, 3/8" Flat SAE	F05011-3	5
15	Washer, 3/8" Split Lock	F05011-4	5
16	Washer, 1/2" Split Lock	F05011-9	4