

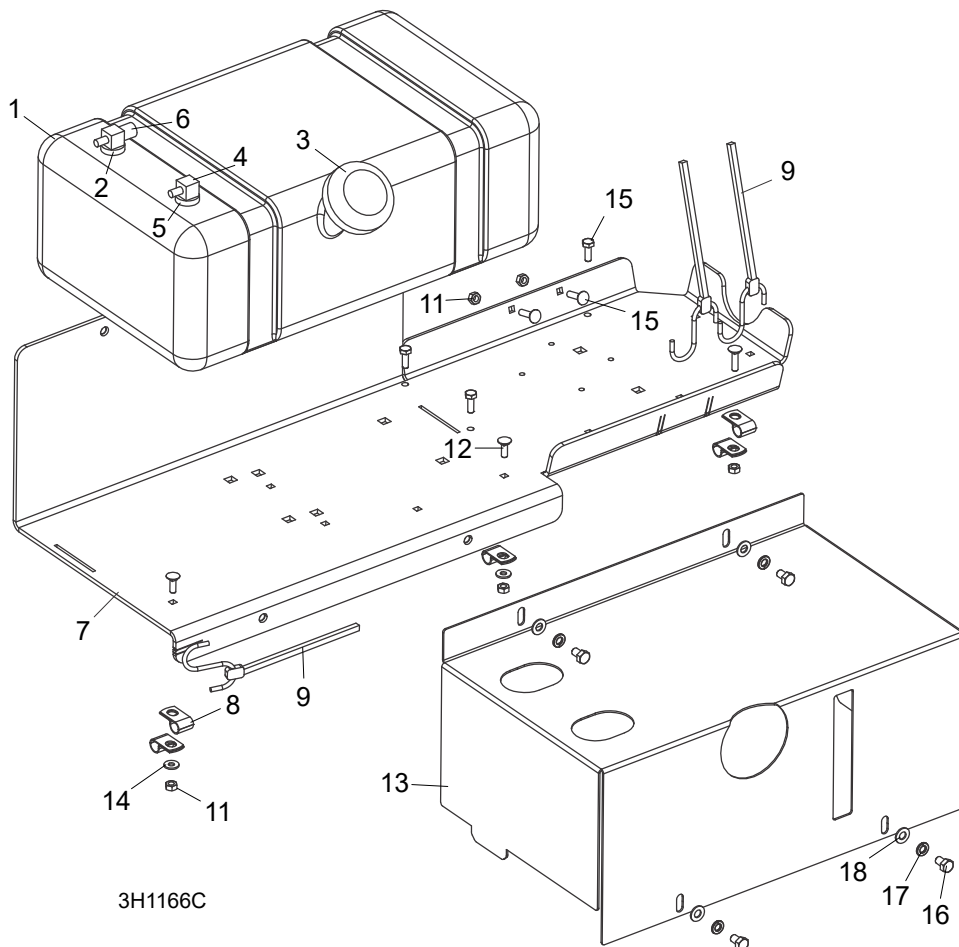
G38

SECTION 4 REPLACEMENT PARTS

4.1 Fuel Tank (G28/G29/G38)

LT40
LT40 Super
LT40HD
LT40HD Super
LT50

Rev. K4.08+
Rev. J7.17+
Rev. K6.09+
Rev. K3.17+
Rev. A5.17+



REF	DESCRIPTION (◆ Indicates Parts Available In Assemblies Only)	PART #	QTY.	
	TRAY ASSEMBLY, GAS CAN	074821	1	
1	Tank, 5 Gallon Low Pro EPA Fuel	103878 ¹	1	◆
2	Grommet, Shut Off	061250	1	
3	Gas Cap, LT15	061251	1	
4	Valve, Slosh	061252	1	
5	Grommet, Slosh Valve	061253	1	
6	Fitting, Fuel Pick-Up With Shut-Off	074943	1	

G38

4

Replacement Parts

Fuel Tank (G28/G29/G38)

7	Tank Weldment, Fuel LT40/50	103943	1	
8	Cover, Fuel Tank	103867	1	
9	Strap, 20" Rubber	P11668	3	
10	Bolt, 1/4-20 X 1" Carriage Head	F05005-34	3	
11	Nut, 1/4-20 Hex Lock	F05010-21	5	
12	Bolt, 1/4-20 x 3/4" Carriage	F05005-113	2	
13	Clamp, 1/2" EMT Coated	P07584	6	
14	Washer, 1/4" SAE Flat	F05011-11	2	
15	Bolt, 1/4-20 x 3/4" Hex Head Grade 5	F05005-123	3	
16	Bolt, 5/16-18 x 1/2" Hex Head Grade 5	F05006-15	4	
17	Washer, 5/16" Split Lock	F05011-13	4	
18	Washer, 5/16" SAE Flat	F05011-17	4	
	Hose, Fuel 3/16" EPA 15G CARB	R02423-1	8 Ft.	
	Hose, Fuel 1/4" EPA 15G CARB	R02423-2	8 Ft.	

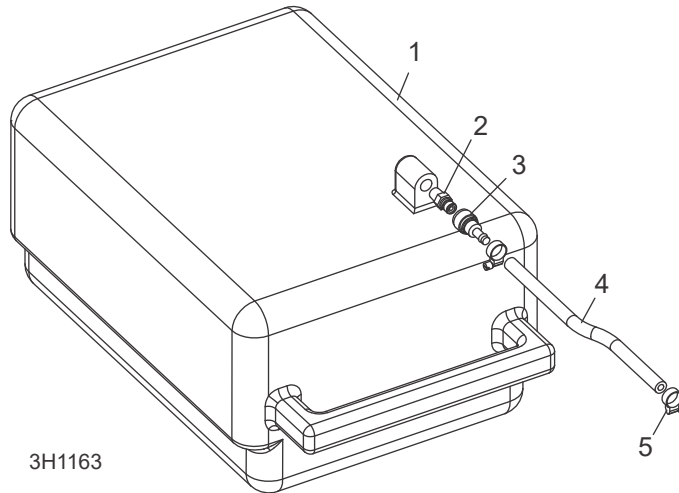
¹ Fuel shut-off valve added to fuel tank to prevent possibility of fuel feeding back into engine during travel (LT40 Rev. K4.10/LT40HD Super Rev. K3.20/LT40HD Rev. K6.12/LT50 Rev. A5.20). Created service part 074943 Fuel Pick-Up with Shut-Off Fitting.

G38

4.2 Fuel Tank (G28/G29/G38)

LT40
LT40 Super
LT40HD
LT40HD Super
LT50

Rev. K4.06 - K4.07
Rev. J7.16
Rev. K6.07 - K6.08
Rev. K3.15 - K3.16
Rev. A5.15 - A5.16



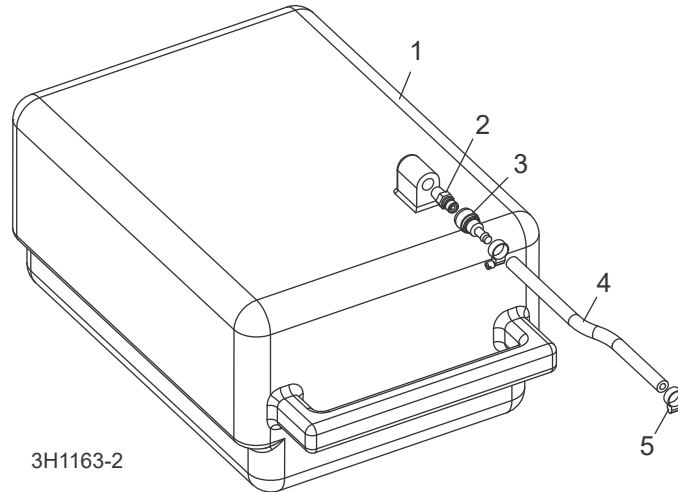
REF	DESCRIPTION (◆ Indicates Parts Available In Assemblies Only)	PART #	QTY.	
	TANK ASSEMBLY, 6 GALLON GAS SERVICE	074643	1	
1	Tank, Gas	076478	1	◆
2	Fitting, 1/4" NPT Male Quick Disconnect	015583	1	
3	FITTING, FEMALE QUICK DISCONNECT BARB	015582	1	
4	HOSE, FUEL 1/4" EPA 15G CARB	R02423-2	6.67 Ft	
5	CLAMP, 7/32" - 1/2" HOSE	P649	4	

4 Replacement Parts

Fuel Tank (G26/G29/G38) (2010+)

4.3 Fuel Tank (G26/G29/G38) (2010+)

LT40 Prior to Rev. K4.06
LT40 Super Prior to Rev. J7.16
LT40HD Prior to Rev. K6.07
LT40HD Super Prior to Rev. K3.15
LT50 Prior to Rev. A5.15



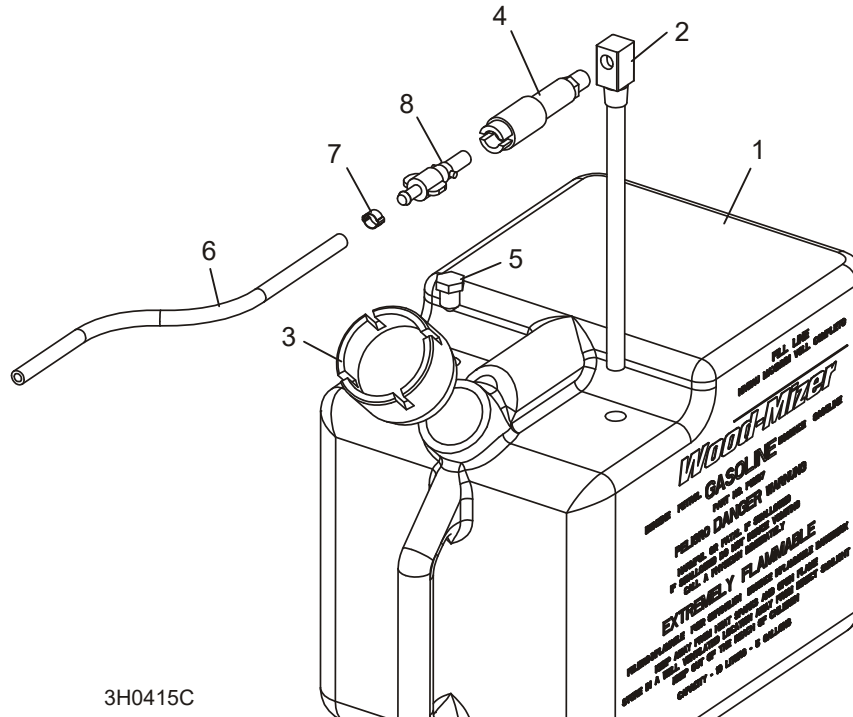
REF	DESCRIPTION (◆ Indicates Parts Available In Assemblies Only)	PART #	QTY.	
	TANK ASSEMBLY, 6 GALLON GAS SERVICE	074643 ¹	1	
1	Tank, Gas	076478	1	◆
2	Fitting, 1/4" NPT Male Quick Disconnect	015583	1	
3	FITTING, FEMALE QUICK DISCONNECT BARB	015582	1	
4	HOSE, FUEL 1/4" EPA 15G CARB	R02423-2	6.67 Ft	
5	CLAMP, 7/32" - 1/2" HOSE	P649	4	

¹ Customers with sawmills and edgers manufactured in 2010 and later need to use new EPA approved 3 or 6 gallon gas can assemblies (see technical bulletin TB150005 for more information). 5 gallon gas can assemblies are available only for customers with sawmills and edgers manufactured prior to 2010 ([See Section 4.4](#)).

4.4 Fuel Tank (G26/G29/G38) (Pre-2010)

LT40
LT40 Super
LT40HD
LT40HD Super
LT50

Prior to Rev. K4.06
Prior to Rev. J7.16
Prior to Rev. K6.07
Prior to Rev. K3.15
Prior to Rev. A5.15



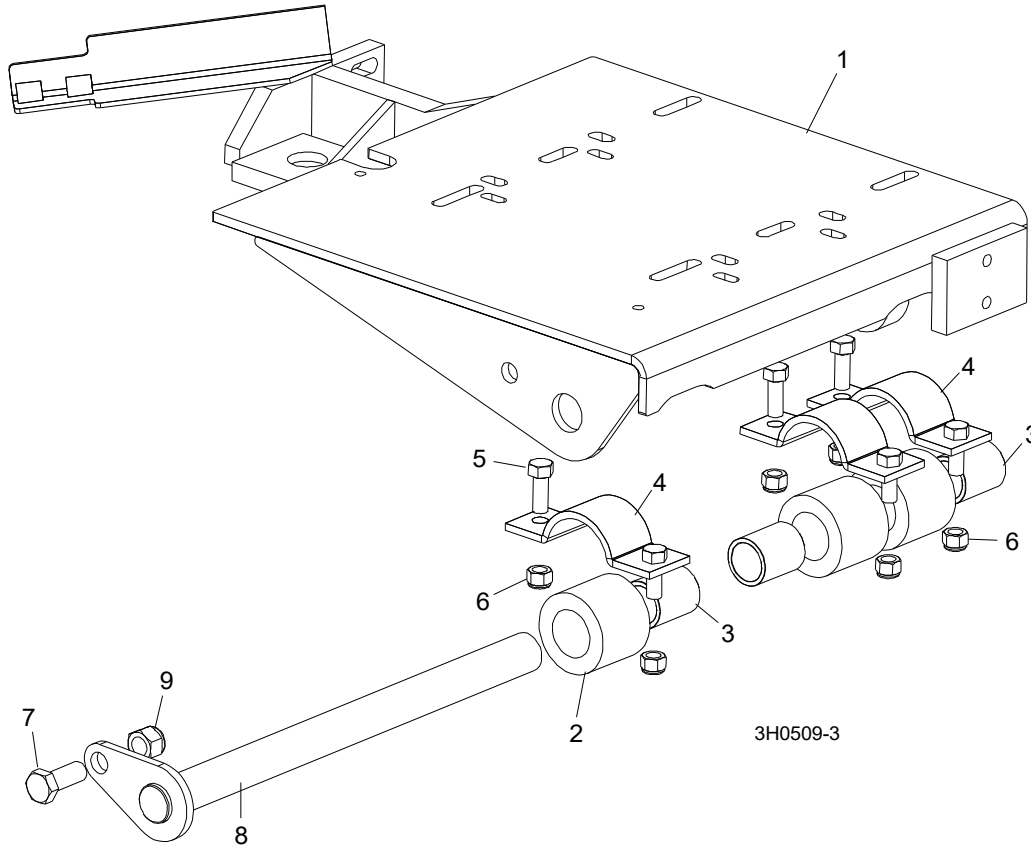
REF	DESCRIPTION (◆ Indicates Parts Available In Assemblies Only)	PART #	QTY.	
	TANK ASSEMBLY, 5-GALLON RED GASOLINE	A12285 ¹	1	
1	Tank, 5-Gallon Red Fuel	P12167	1	◆
2	Pickup, 9" Fuel	P12172	1	
3	Cap, 3 or 5-Gallon Fuel Tank	P09683	1	
4	Fitting, 1/4" NPT Plastic Female Disconnect	P12175	1	
5	Fitting, 3/8" NPT Hex Plug	P10367	1	
6	HOSE, 1/4" ID FUEL	P642	6.75 Ft	
7	CLAMP, 7/32 - 1/2 HOSE	P649	6	
8	FITTING, 1/4" NPT PLASTIC MALE DISCONNECT	P12176 ²	1	

¹ 5 gallon gas can assemblies are available only for customers with sawmills and edgers manufactured prior to 2010 (see technical bulletin TB150005 for more information). Customers with sawmills and edgers manufactured in 2010 and later need to use new EPA approved 3 or 6 gallon gas can assemblies ([See Section 4.3](#)).

² Replacement requires qty. 1 hose clamp (P649).

4 Replacement Parts Engine Mount Assembly (G28/G29/G38)

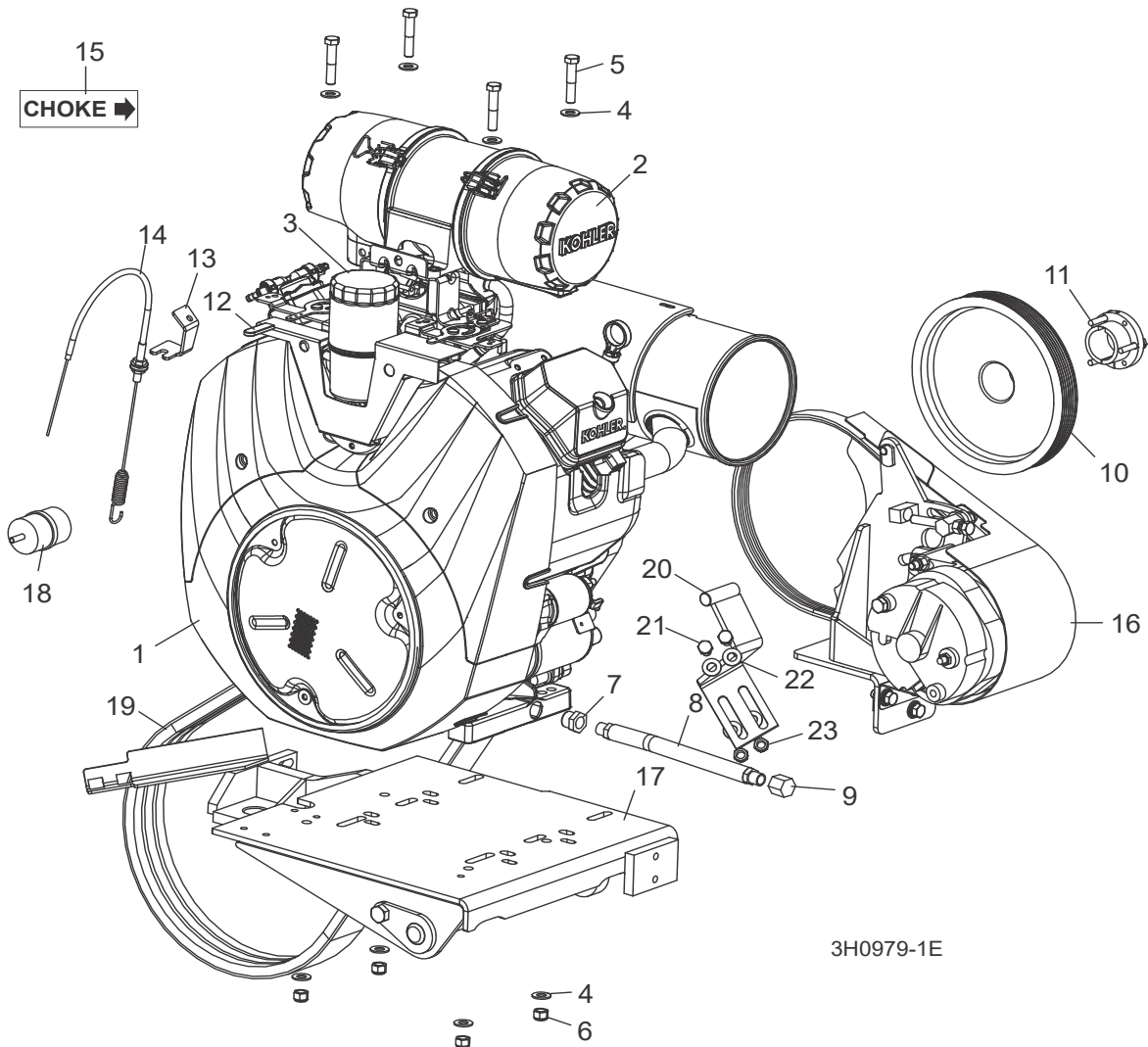
4.5 Engine Mount Assembly (G28/G29/G38)



REF	DESCRIPTION (◆ Indicates Parts Available In Assemblies Only)	PART #	QTY.	
	MOUNT KIT, KOHLER ENGINE	016319	1	
1	Mount Weldment, Kohler Engine	014514	1	◆
	BUSHING ASSEMBLY, MOTOR MOUNT	016380	3	
2	Bushing, 2" OD x 2"	016378	1	◆
3	Bearing, 1" x 1 1/4" x 2"	016379	1	◆
4	CLAMP WELDMENT , MOTOR MOUNT PIVOT BUSHING	014540	3	
5	BOLT, 3/8-16 X 1" HEX HEAD	F05007-7	3	
6	NUT, 3/8-16 HEX NYLON LOCK	F05010-10	6	
7	BOLT, 1/2-13 X 1 1/4" HEX HEAD GRADE 5	F05008-37	1	
8	PIN WELDMENT, ENGINE MOUNT PIVOT	014154	1	
9	NUT, 1/2-13 NYLON LOCK	F05010-8	1	

G35

4.6 Engine Assembly



REF	DESCRIPTION (◆ Indicates Parts Available In Assemblies Only)	PART #	QTY.
	COVER, G35 (G38) ENGINE	CEG38	1
	ENGINE ASSEMBLY, 35HP KOHLER	003200 ¹	1
1	Engine, 35Hp Kohler CH980-0010	003199	1
2	Air Cleaner, Kohler 35HP (38HP)		1
	Filter, Kohler Primary Air #25-083-01-S	046553	1
	Filter, Kohler Secondary Air #25-083-04-S	046554	1
3	Filter, Kohler Oil #52-050-02-S	014717	1
	Plug, Kohler G35 (G38) Spark #62-132-04-S	061003	2
	Pump, Fuel #62-559-01S	061156	1
4	Washer, 3/8" SAE Flat	F05011-3	4
5	Bolt, 3/8-16 x 2" Hex Head Grade 5	F05007-124	4
6	Nut, 3/8-16 Hex Nylon Lock	F05010-10	4

G35

4

Replacement Parts

Engine Assembly

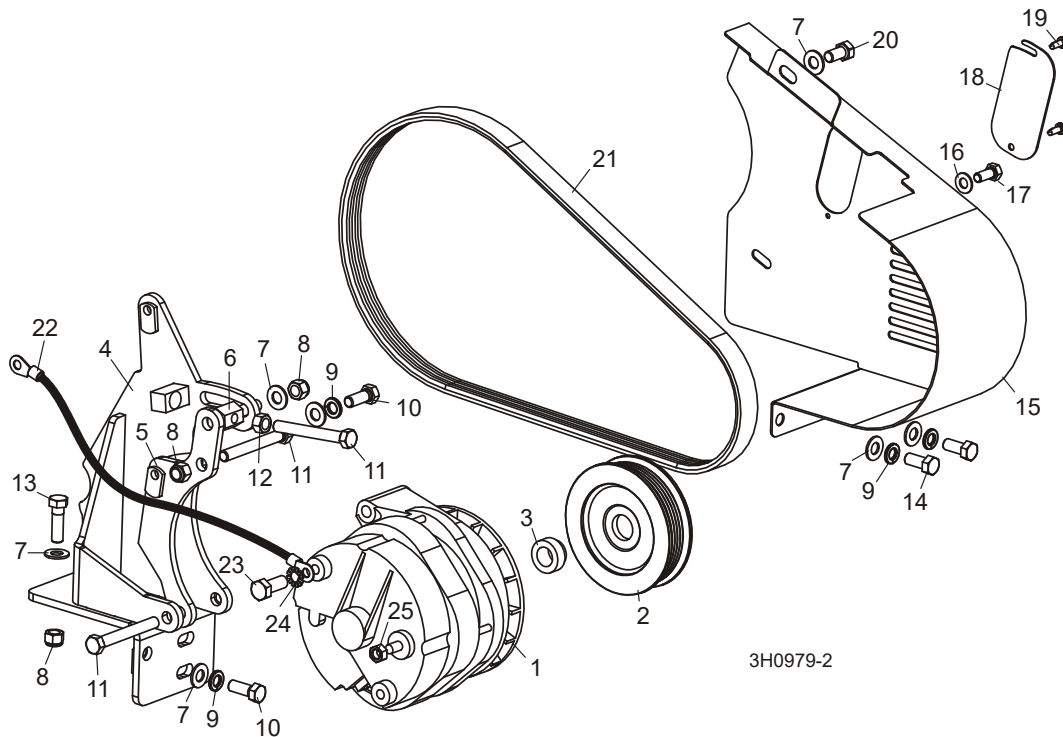
7	Fitting, 1/2" MPT x 3/8" FPT Reducer Bushing	003227	1	
8	Hose, 7" Oil Drain	P10082	1	
9	Cap, Oil Drain 3/8" Pipe	P04332	1	
10	Pulley, 5V x 4.06" x 8.5" Poly-V	003206	1	
11	Bushing, 1 7/16" SH	016535	1	
12	Grip, 1/16" x 3/8" x 1 1/2" Black	003229	1	
13	Bracket, Throttle Mount	003222	1	
14	Cable Assembly, G35 (G38) Throttle	034809	1	
15	Decal, Choke ID	003230	1	
16	Alternator Parts (See Section 4.4)			
17	Engine Mount Parts (See Section 4.2)			
18	FILTER, KOHLER FUEL #24-050-13	P12758 ²	1	
19	BELT, 3/5VL750 DRIVE	006672 ³	1	
20	BRACKET WDMT, CLUTCH ENHANCEMENT	015058	1	
21	BOLT, 3/8-16X1 HH	F05007-7	2	
22	WASHER, #/8 FLAT SAE	F05011-3	4	
23	NUT, 3/8-16 HEX NYL LOCK	F05010-10	2	

¹ Removed 003228 G35 (G38) Choke Indicator Bracket (5/15).

² Kohler #24-050-13 9-12 micron filter replaces #240-050-10 8-10 micron filter originally supplied.

³ Cog-style belt 006672 replaces 016556 originally supplied prior to 7/08 to reduce slippage.

4.7 Alternator Assembly



REF	DESCRIPTION (◆ Indicates Parts Available In Assemblies Only)	PART #	QTY.	
	WIRE ASSEMBLY, 61/140 AMP ALTERNATOR PLUG	015969	1	
	WIRE ASSEMBLY, ALTERNATOR TO STARTER	024308	1	
	ALTERNATOR ASSEMBLY, 140 AMP	023730	1	
1	Alternator, 140 Amp	023695	1	
	Pulley Assembly, 140 Amp Alternator	036572	1	
2	Pulley, 140 Amp Alternator	023694	1	◆
3	Spacer, Alternator Pulley	036571	1	
4	BRACKET WELDMENT, ALTERNATOR MOUNTING	003202	1	
5	PLATE WELDMENT, ALTERNATOR MOUNT	015875	1	
6	STUD, ALTERNATOR BELT TENSION ADJUSTMENT	023764	1	
7	WASHER, 3/8" SAE FLAT	F05011-3	7	
8	NUT, 3/8-16 NYLON LOCK	F05010-10	3	
9	WASHER, 3/8" SPLIT LOCK	F05011-4	4	
10	BOLT, 3/8-16 X 1" HEX HEAD GRADE 5	F05007-87	2	
11	BOLT, 3/8-16 X 3" HEX HEAD FULL THREAD	F05007-1	3	
12	NUT, 3/8-16 HEX	F05010-1	1	
13	BOLT, 3/8-16 X 1 1/4" HEX HEAD GRADE 5	F05007-123	1	
14	BOLT, 3/8-16 X 7/8" HEX HEAD GRADE 5	F05007-185	2	
15	GUARD WELDMENT, G35 (G38) ALTERNATOR	003216	1	
16	WASHER, 5/16-18 SAE FLAT	F05011-17	1	
17	BOLT, 5/16-18 X 3/4" HEX HEAD	F05006-5	1	

G35

4

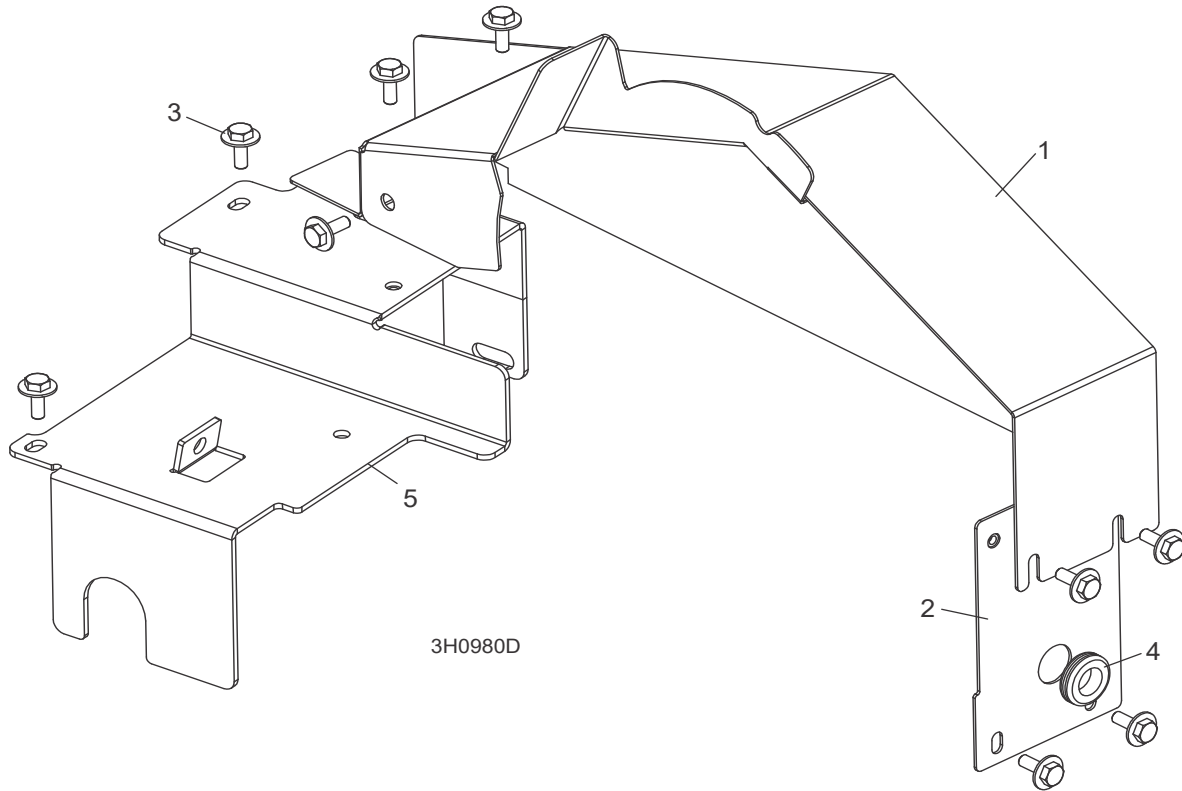
Replacement Parts

Alternator Assembly

18	PLATE, ALTERNATOR BELT ACCESS	023794	1	
19	BOLT, #10-24 X 1/2" PAN HEAD	F05015-17	2	
20	BOLT, 3/8-16 X 3/4" HEX HEAD	F05007-27	1	
21	BELT, 6PK425 FIBERGLASS	023709	1	
22	WIRE ASSEMBLY, GROUND JUMPER	017770	1	
23	WASHER, 3/8" EXTERNAL STAR LOCK	F05011-36	1	
24	BOLT, M10-1.5 X 25MM HEX HEAD GRADE 8	F81003-11	1	
25	NUT, M8-1.25 HEX	F05010-76	1	

G38

4.8 Engine Pulley Guards (G38)



REF	DESCRIPTION (◆ Indicates Parts Available In Assemblies Only)	PART #	QTY.	
1	GUARD WELDMENT, G35 (G38) ENGINE PULLEY	003220	1	
2	PLATE WELDMENT, G35 (G38) ENGINE PULLEY GUARD MOUNT	003263	1	
3	BOLT, 1/4-20 X 3/4" HEX HEAD WITH CONICAL WASHER	F05005-134	9	
4	GROMMET, 5/8" ID RUBBER	P11764	1	
5	GUARD, KOHLER SIDE ENGINE PULLEY	015962	1	