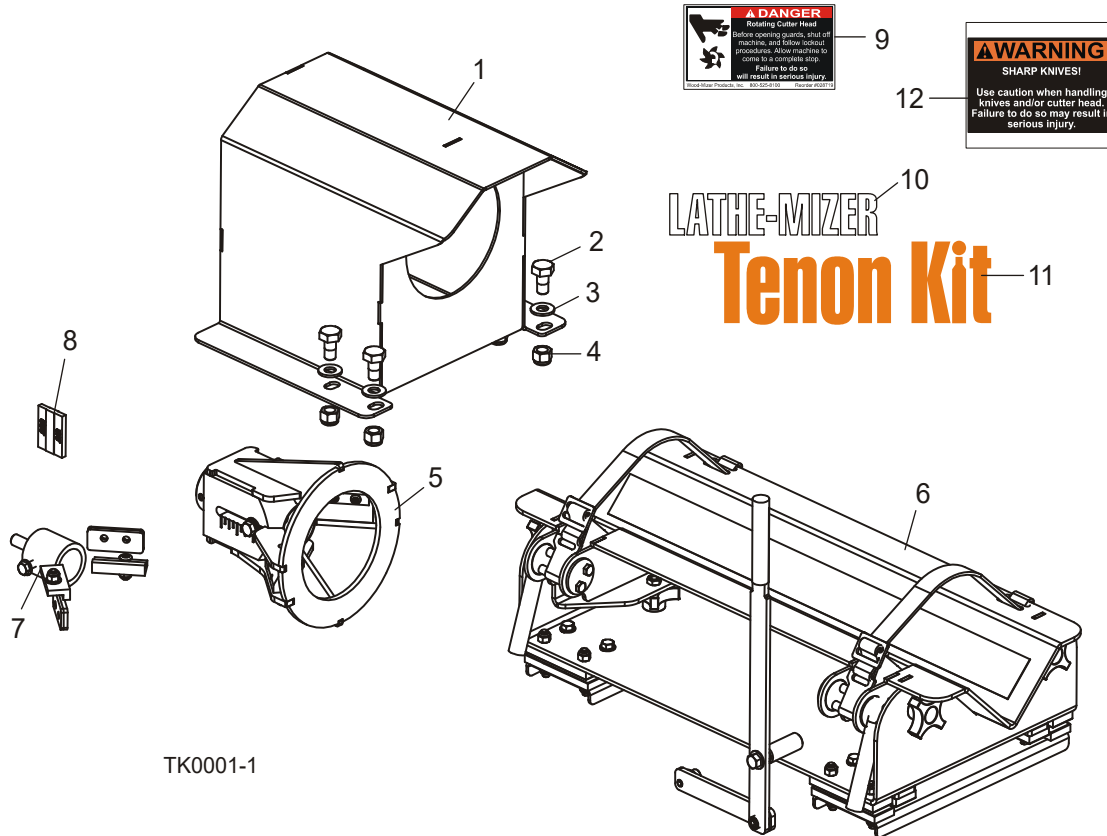


## SECTION 3 REPLACEMENT PARTS

### 3.1 Tenon Kit



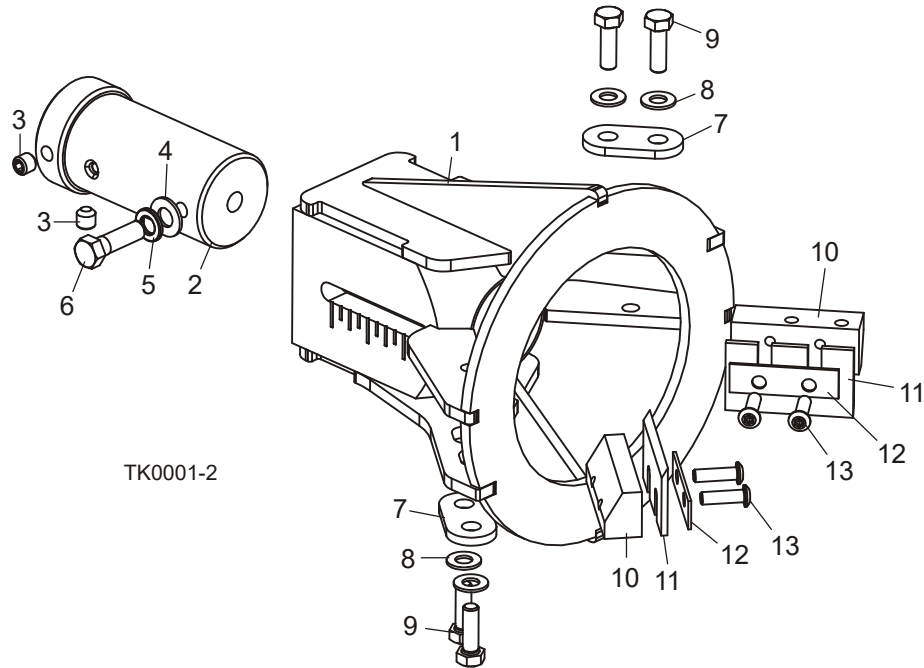
TK0001-1

REF	DESCRIPTION (◆ Indicates Parts Available In Assemblies Only)	PART #	QTY.
	<b>TENON KIT, LATHE-MIZER</b>	LMTKIT	1
1	Guard Weldment, Tenon	055990	1
2	Bolt, 1/2-13 x 1" Hex Head	F05008-50	4
3	Washer, 1/2" SAE flat	F05011-2	4
4	Nut, 1/2-13 Hex Nylon Lock	F05010-8	4
5	Cutter Head Parts ( <a href="#">See Section 3.2</a> )		
6	Carriage Parts ( <a href="#">See Section 3.3</a> )		
7	1 1/2" Tenon Parts ( <a href="#">See Section 3.4</a> )		
8	Gauge, Tenon Knife	056363	1
9	Decal, Cutter Head Danger	028719	1
10	Decal, Lathe-Mizer Logo Small	003336	2
11	Decal, Tenon Kit Logo	003335	2
12	Decal, Tenon Knife Warning	003665	2
	Manual, Tenon Kit Option	LMTKIT-1308	1

# 3 Replacement Parts

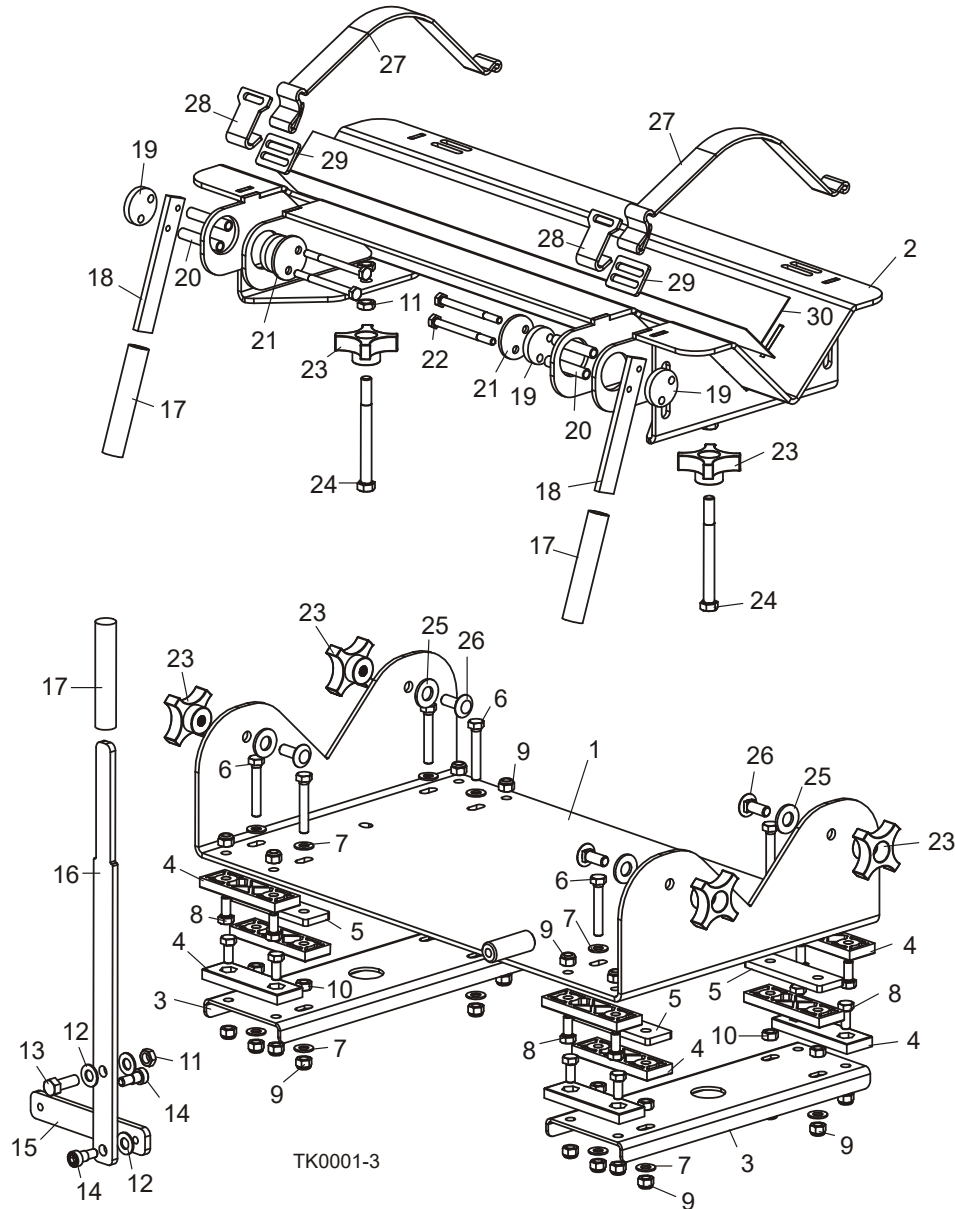
## Cutter Head Assembly

### 3.2 Cutter Head Assembly



REF	DESCRIPTION (◆ Indicates Parts Available In Assemblies Only)	PART #	QTY.
	<b>HEAD ASSEMBLY, TENON CUTTER</b>	056288	1
1	Head Weldment, Tenon Cutter	055996	1
2	Shaft Weldment, Tenon Cutter	056285	1
3	Screw, 3/8-16 x 3/8" Socket Head Cup Point Set	F05007-68	2
4	Washer, 3/8" SAE Flat	F05011-3	1
5	Washer, 3/8" Split Lock	F05011-4	1
6	Bolt, 3/8-16 x 1 1/4" Hex Head Grade 5	F05007-123	1
7	Plate, Tenon Knife Mount Washer	055989	2
8	Washer, 5/16" SAE Flat	F05011-17	4
9	Bolt, 5/16-18 x 1" Hex Head Grade 5	F05006-27	4
10	Block, Tenon Knife Mount	055951	2
11	Knife, Tenon Cutter	055950	2
12	Plate, Tenon Knife Clamp	055952	2
13	Screw, 1/4-20 x 7/8" Button Socket Head	F05005-142	4

### 3.3 Carriage Assembly



REF	DESCRIPTION (◆ Indicates Parts Available In Assemblies Only)	PART #	QTY.
	<b>CARRIAGE ASSEMBLY, TENON OPTION</b>	056284	1
1	Carriage Weldment, Tenon Option	056286	1
2	Tray Weldment, Tenon Option	056287	1
3	Plate, Lower Tenon Mount	055345	2
4	Pad, Delrin Slide	M04096	12
5	Plate, Slide Pad Spacer	056290	4
6	Bolt, 5/16-18 x 2" Hex Head Full Thread	F05006-13	8

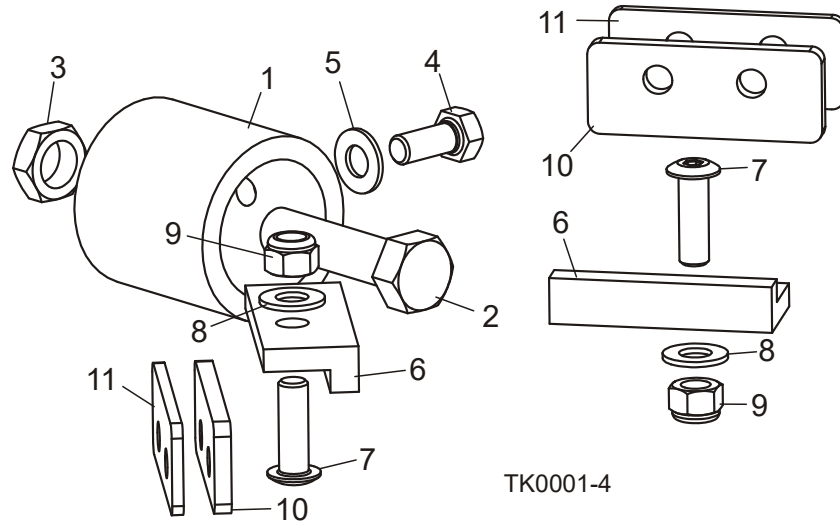
# 3

## Replacement Parts

### *Carriage Assembly*

7	Washer, 5/16" SAE Flat	F05011-17	16	
8	Bolt, 5/16-18 x 3/4" Hex Head Grade 5	F05006-102	16	
9	Nut, 5/16-18 Hex Nylon Lock	F05010-58	24	
10	Nut, 5/16-18 Hex	F05010-17	8	
11	Nut, 3/8-16 Hex Jam	F05010-29	5	
12	Washer, 3/8" SAE Flat	F05011-3	7	
13	Bolt, 3/8-16 x 1" Hex Head	F05007-7	1	
14	Bolt, 3/8" x 3/8" Socket Shoulder	F05007-159	2	
15	Plate, Tenon Feed Link	055346	1	
16	Plate, Tenon Feed Handle	055925	1	
17	Grip, 5/8" ID Hand	004742	3	
18	Plate, Pivot Lock Handle	055997	2	
19	Bushing, Pivot Lock	055991	4	
20	Tube, Pivot Lock Spacer	055995	4	
21	Washer, Pivot Lock	055994	2	
22	Bolt, 1/4-20 x 3" Hex Head Grade 5	F05005-127	4	
23	Knob, 2 1/4" OD Star	056294	6	
24	Bolt, 3/8-16 x 4" Hex Head Full Thread Grade 5	F05007-92	2	
25	Washer, 1/2" SAE Flat	F05011-2	4	
26	Bolt, 3/8-16 x 1" Carriage Head Grade 5	F05007-165	4	
27	Strap, 17" Tenon Tie-Down	056298	2	
28	Plate, Strap Adjustment	046297	2	
29	Plate, Strap Hook	046296	2	
30	Tape, 2" x 25" Anti-Slip	046295	2	

### 3.4 1 1/2" Tenon Assembly



REF	DESCRIPTION (◆ Indicates Parts Available In Assemblies Only)	PART #	QTY.
	<b>TENON ASSEMBLY, 1 1/2"</b>	056321	1
1	Bushing, 1 1/2" Tenon	056302	1
2	Bolt, 1/2-13 x 2" Hex Head Full Thread	F05008-8	1
3	Nut, 1/2-13 Hex Jam	F05010-31	1
4	Bolt, 3/8-16 x 3/4" Hex Head	F05007-27	1
5	Washer, 3/8" SAE Flat	F05011-3	1
6	Plate, 1 1/2" Tenon Guide	056301	2
7	Bolt, 5/16-18 x 1" Button Socket Head	F05006-12	2
8	Washer, 5/16" SAE Flat	F05011-17	2
9	Nut, 5/16-18 Hex Nylon Lock	F05010-58	2
10	Plate, 7 Ga. Knife Spacer	056300	2
11	Plate, 11 Ga. Knife Spacer	056299	2