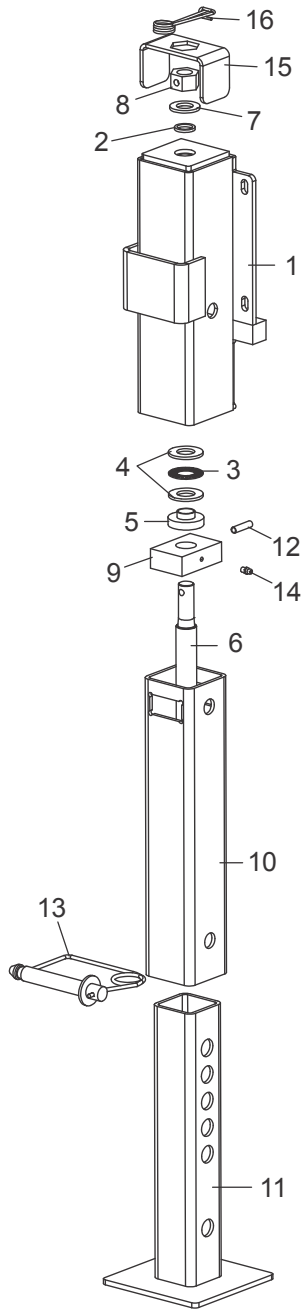


Replacement Parts

Front Outrigger Assembly



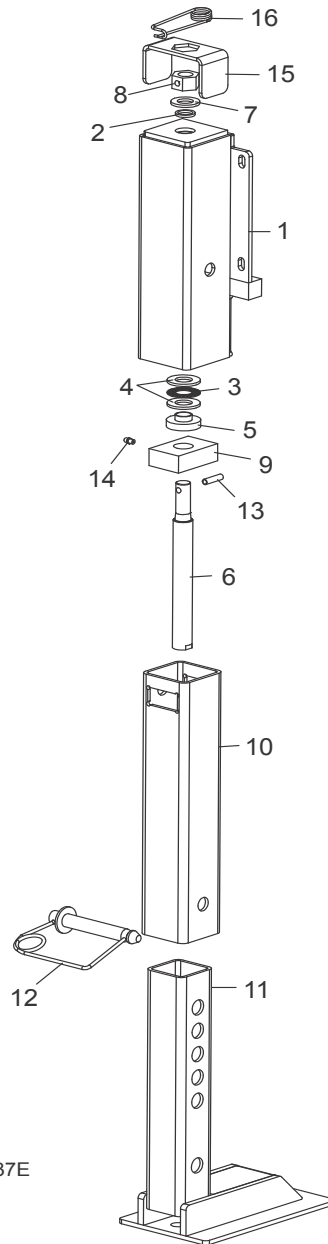
SM0336D

Item	Description	Part No.	Qty.
	OUTRIGGER ASSEMBLY, FRONT ADJUSTABLE	003944	1
1	Mount Weldment, Front Adjustable Outrigger	003943	1
2	Seal, Outrigger Acme Screw	039641	1

	Bearing Assembly, Adjustable Outrigger Thrust	039639	1
3	Bearing, Needle-Roller Thrust	039637	1
4	Washer, Thrust Bearing	039638	2
5	Sleeve, Outrigger Acme Screw	039645	1
6	Screw, 1-5 Adjustable Outrigger Long Acme	039642	1
7	Washer, 3/4" SAE Flat	F05011-62	1
8	Nut, Adjustable Outrigger Hex	056774	1
9	Nut, 1-5 Long Acme	039636	1
10	Tube, Front Adjustable Outrigger Slide	003981	1
11	Base Weldment, Adjustable Outrigger	056783	1
12	Pin 5/16" x 1 1/4" Roll	F05012-127	1
13	Pin, Adjustable Outrigger Locking	056817	1
14	Fitting, 1/4-28 Grease	P05060	1
15	Bracket, Adjustable Outrigger Lock	059577 ¹	1
16	Pin, 1/8x2-13/16L Locking Wire	F05012-162	1
	Inst. Sheet, Adjustable Outrigger	FAO-1524	1

¹ Added Lock Bracket 059577 to prevent outrigger from creeping down during sawing (6/18).

Offset Outrigger Assembly



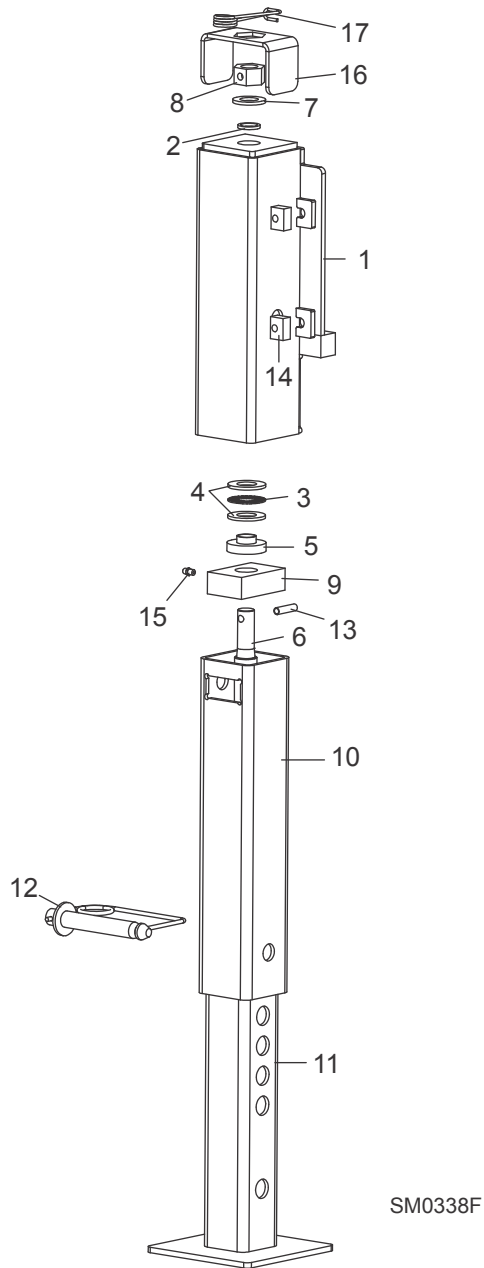
SM0337E

Item	Description	Part No.	Qty.
	OUTRIGGER ASSEMBLY, OFFSET ADJUSTABLE	056787	2
1	Mount Weldment, Offset Adjustable Outrigger	003945	1
2	Seal, Outrigger Acme Screw	039641	1
	Bearing Assembly, Adjustable Outrigger Thrust	039639	1
3	Bearing, Needle-Roller Thrust	039637	1
4	Washer, Thrust Bearing	039638	2
5	Sleeve, Outrigger Acme Screw	039645	1

6	Screw, 1-5 Adjustable Outrigger Long Acme	039642	1
7	Washer, 3/4" SAE Flat	F05011-62	1
8	Nut, Adjustable Outrigger Hex	056774	1
9	Nut, 1-5 Long Acme	039636	1
10	Tube, Front Adjustable Outrigger Slide	003981	1
11	Base Weldment, Offset Adjustable Outrigger	056788	1
12	Pin, Adjustable Outrigger Locking	056817	1
13	Pin 5/16" x 1 1/4" Roll	F05012-127	1
14	Fitting, 1/4-28 Grease	P05060	1
15	Bracket, Adjustable Outrigger Lock	059577 ¹	1
16	Pin, 1/8x2-13/16L Locking Wire	F05012-162	1
	Inst. Sheet, Adjustable Outrigger	FAO-1524	1

¹ Added Lock Bracket 059577 to prevent outrigger from creeping down during sawing (6/18).

Loading Side Outrigger Assembly

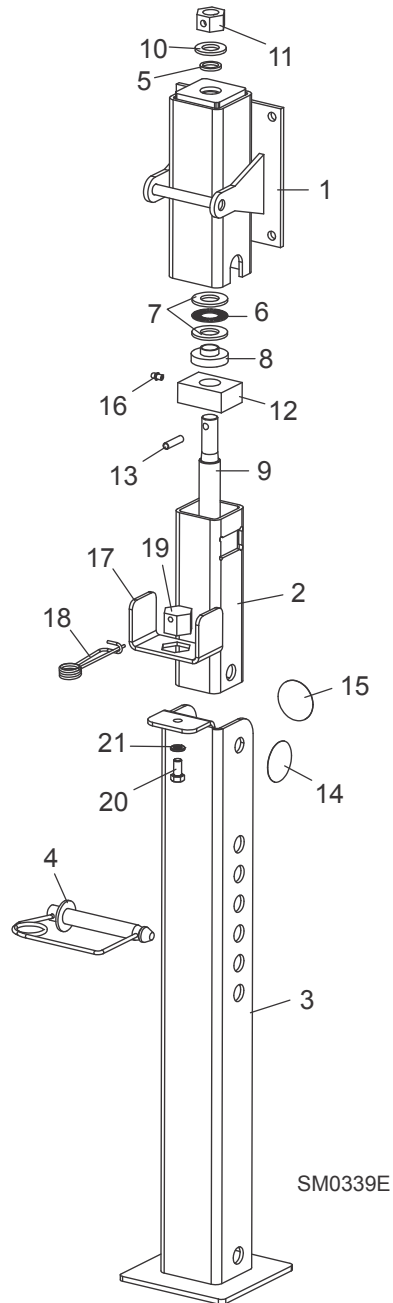


Item	Description	Part No.	Qty.
	OUTRIGGER ASSEMBLY, LOADING SIDE ADJUSTABLE	056781	2
1	Mount Weldment, Loading Side Adjustable Outrigger	056780	1
2	Seal, Outrigger Acme Screw	039641	1
	Bearing Assembly, Adjustable Outrigger Thrust	039639	1
3	Bearing, Needle-Roller Thrust	039637	1
4	Washer, Thrust Bearing	039638	2
5	Sleeve, Outrigger Acme Screw	039645	1

6	Screw, 1-5 Adjustable Outrigger Long Acme	039642	1
7	Washer, 3/4" SAE Flat	F05011-62	1
8	Nut, Adjustable Outrigger Hex	056774	1
9	Nut, 1-5 Long Acme	039636	1
10	Tube, Adjustable Outrigger Slide	003981	1
11	Base Weldment, Loading Side Adjustable Outrigger	056783	1
12	Pin, Adjustable Outrigger Locking	056817	1
13	Pin 5/16" x 1 1/4" Roll	F05012-127	1
14	Nut, Adjustable Outrigger Mounting	056826	4
15	Fitting, 1/4-28 Grease	P05060	1
16	Bracket, Adjustable Outrigger Lock	059577 ¹	1
17	Pin, 1/8x2-13/16L Locking Wire	F05012-162	1
	Inst. Sheet, Adjustable Outrigger	FAO-1524	1

¹ Added Lock Bracket 059577 to prevent outrigger from creeping down during sawing (6/18).

Rear Outrigger Assembly

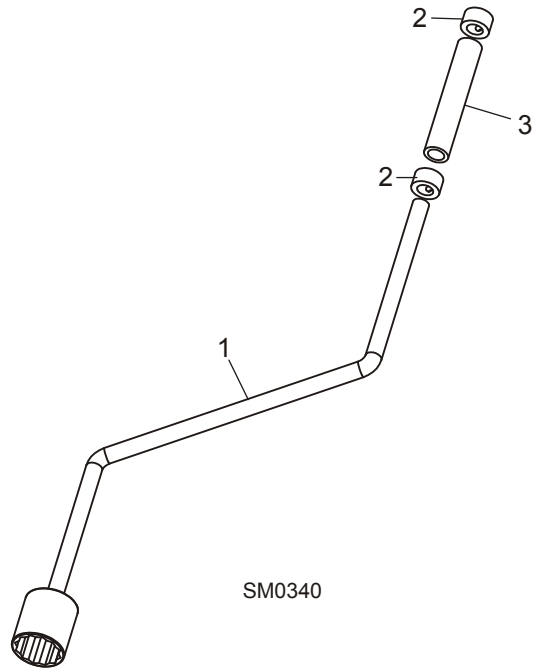


Item	Description	Part No.	Qty.
	OUTRIGGER ASSEMBLY, REAR ADJUSTABLE	056791	1
1	Mount Weldment, Rear Adjustable Outrigger	056815	1
2	Tube, Rear Adjustable Outrigger Slide	056795	1
3	Base Weldment, Rear Adjustable Outrigger	056816	1
4	Pin, Adjustable Outrigger Locking	056817	1

5	Seal, Outrigger Acme Screw	039641	1
	Bearing Assembly, Adjustable Outrigger Thrust	039639	1
6	Bearing, Needle-Roller Thrust	039637	1
7	Washer, Thrust Bearing	039638	2
8	Sleeve, Outrigger Acme Screw	039645	1
9	Screw, 1-5 Adjustable Outrigger Short Acme	056818	1
10	Washer, 3/4" SAE Flat	F05011-62	1
11	Nut, Adjustable Outrigger Hex	056774	1
12	Nut, 1-5 Short Acme	056823	1
13	Pin 5/16" x 1 1/4" Roll	F05012-127	1
14	Decal, 2" Dia. Red Reflector	P07452	1
15	Decal, 2" Dia. Amber Reflector	P07453	1
16	Fitting, 1/4-28 Grease	P05060	1
17	Bracket, Adjustable Outrigger Lock	059577 ¹	1
18	Pin, 1/8x2-13/16L Locking Wire	F05012-162	1
19	Nut, FAO Outrigger Lock	110560	1
20	Bolt, 3/8-16x3/4 HH Gr5	F05007-118	1
21	Washer, 3/8 Split Lock	F05011-4	1
	Inst. Sheet, Adjustable Outrigger	FAO-1524	1

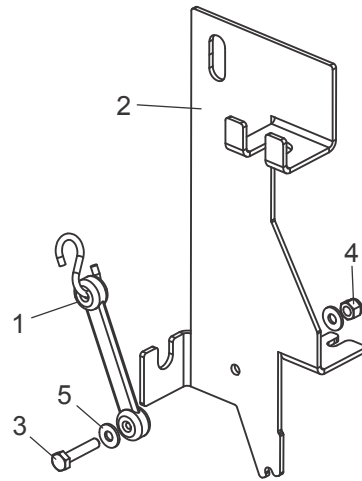
¹ Added Lock Bracket 059577 to prevent outrigger from creeping down during sawing (6/18).

Crank Handle Assembly



Item	Description	Part No.	Qty.
	HANDLE ASSEMBLY, ADJUSTABLE OUTRIGGER CRANK	056831	1
1	Handle Weldment, Adjustable Outrigger Crank	056827	1
2	Collar, 1/2" ID x 7/8" OD Lock	014820	2
3	Tube, Outrigger Crank Handle	046830	1

Wrench Bracket Assembly



SM0382

Item	Description	Part No.	Qty.
	BRACKET ASSEMBLY, FAO WRENCH	075717	1
1	Strap, Rubber 6	016542	1
2	Bracket, FAO Wrench Mount	075710	1
3	Bolt, 1/4-20 x 1 1/4" Hex Head Full Thread Cap	F05005-3	1
4	Nut, 1/4-20 Nylon Lock	F05010-69	1
5	Washer, 1/4" SAE Flat	F05011-11	2