

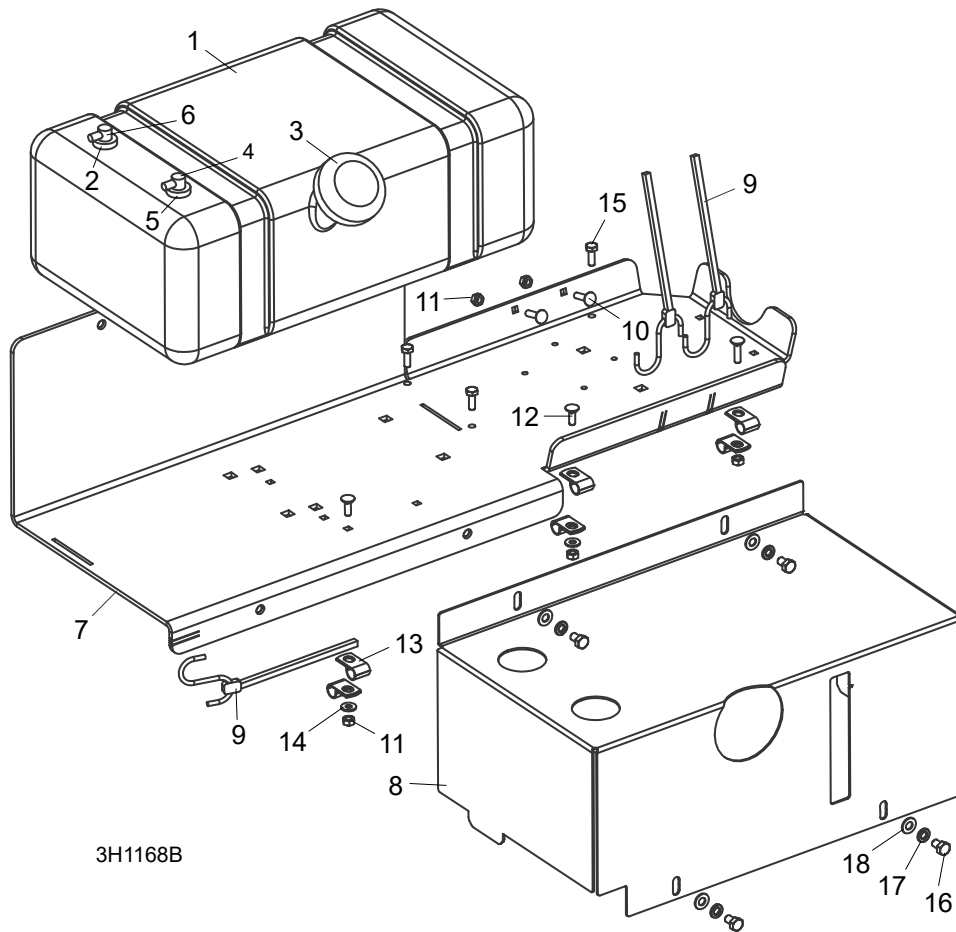
D35

SECTION 4 REPLACEMENT PARTS

4.1 Fuel Tank (D35 Tier2/D47)

LT40
LT40 Super
LT40HD
LT40HD Super
LT50

Rev. K4.09+
Rev. J7.18+
Rev. K6.10+
Rev. K3.18+
Rev. A5.18+



REF	DESCRIPTION (◆ Indicates Parts Available In Assemblies Only)	PART #	QTY.
	TRAY ASSEMBLY, LT40/50 DIESEL TANK	074830	1
1	Tank, 5 Gallon Low Pro Diesel	103928	1
2	Grommet, Shut Off 046881	061250	1
3	Cap, Fuel Tank Diesel 080185BE	061257	1
4	Fitting, Return/tube Diesel 468489	061256	1
5	Grommet, Shut Off 046881	061250	1
6	Fitting, Pick-Up/Tube Diesel 468871A	061255	1
7	Tank Weldment, Fuel LT40/50	103943	1

D35

4

Replacement Parts

Fuel Tank (D35 Tier2/D47)

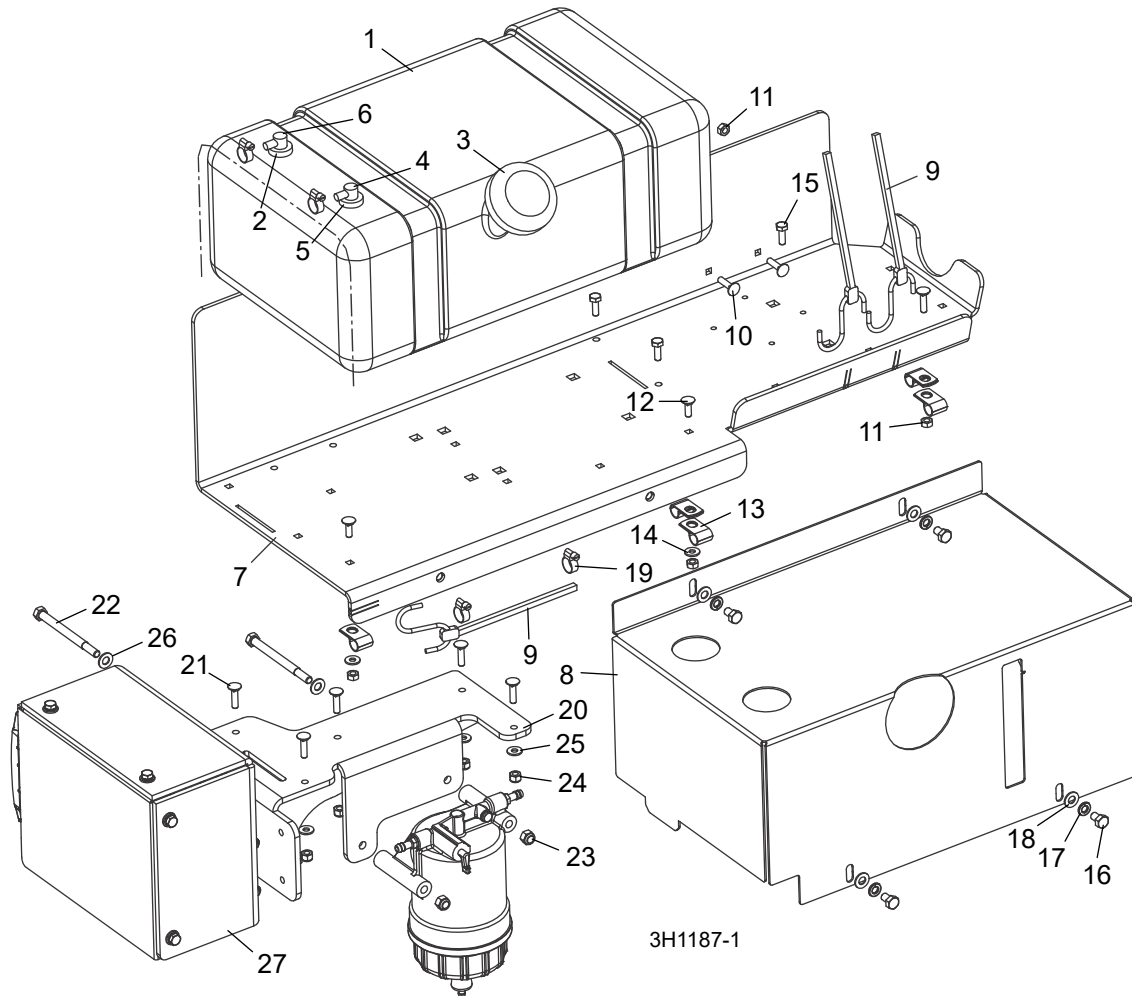
8	Cover, Fuel Tank	103867	1	
9	Strap, 20" Rubber	P11668	3	
10	Bolt, 1/4-20 X 1" Carriage Head	F05005-34	3	
11	Nut, 1/4-20 Hex Lock	F05010-21	5	
12	Bolt, 1/4-20 x 3/4" Carriage	F05005-113	2	
13	Clamp, 1/2" EMT Coated	P07584	6	
14	Washer, 1/4" SAE Flat	F05011-11	2	
15	Bolt, 1/4-20 x 3/4" Hex Head Grade 5	F05005-123	3	
16	Bolt, 5/16-18 x 1/2" Hex Head Grade 5	F05006-15	4	
17	Washer, 5/16" Split Lock	F05011-13	4	
18	Washer, 5/16" SAE Flat	F05011-17	4	
	Hose, Fuel 5/16" EPA 15G CARB	R02423-3	7 Ft.	
	Hose, Fuel 1/4" EPA 15G CARB	R02423-2	8 Ft.	

D35

4.2 Fuel Tank (D35 Tier4 Only)

LT40
LT40HD
LT40HD Super
LT50HD

Rev. K5.00+
Rev. K7.00+
Rev. K4.00+
Rev. A6.00+



REF	DESCRIPTION (◆ Indicates Parts Available In Assemblies Only)	PART #	QTY.
	TRAY ASSEMBLY, LT40/50 TIER4 DIESEL TANK	079637	1
1	Tank, 5 Gallon Low Pro Diesel	103928	1
2	Grommet, Shut Off 046881	061250	1
3	Cap, Fuel Tank Diesel 080185BE	061257	1
4	Fitting, Return/tube Diesel 468489	061256	1
5	Grommet, Shut Off 046881	061250	1
6	Fitting, Pick-Up/Tube Diesel 468871A	061255	1
7	Tank Weldment, Fuel LT40/50	103943	1
8	Cover, Fuel Tank	103867	1

D35

4

Replacement Parts

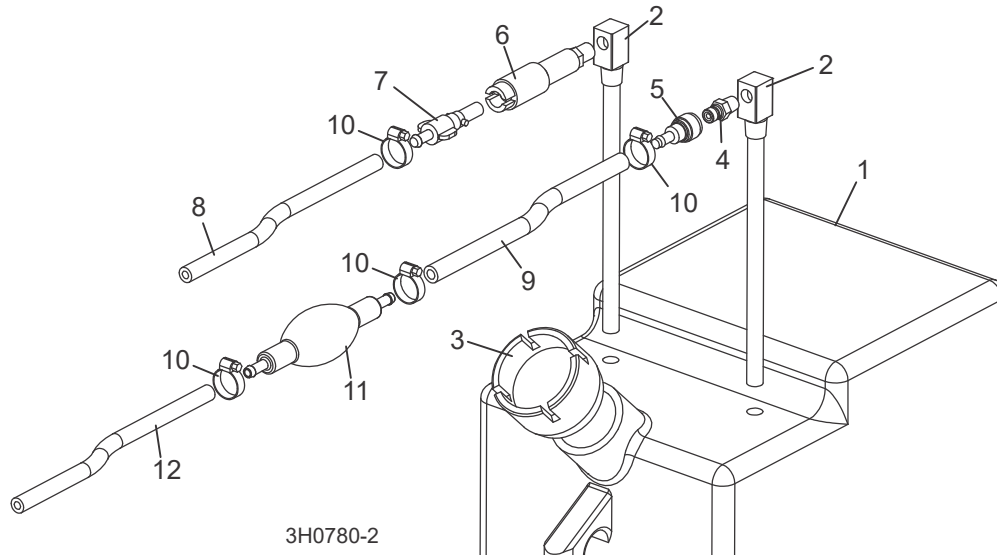
Fuel Tank (D35 Tier4 Only)

9	Strap, 20" Rubber	P11668	3	
10	Bolt, 1/4-20 X 1" Carriage Head	F05005-34	3	
11	Nut, 1/4-20 Hex Lock	F05010-21	5	
12	Bolt, 1/4-20 x 3/4" Carriage	F05005-113	2	
13	Clamp, 1/2" EMT Coated	P07584	6	
14	Washer, 1/4" SAE Flat	F05011-11	2	
15	Bolt, 1/4-20 x 3/4" Hex Head Grade 5	F05005-123	3	
16	Bolt, 5/16-18 x 1/2" Hex Head Grade 5	F05006-15	4	
17	Washer, 5/16" Split Lock	F05011-13	4	
18	Washer, 5/16" SAE Flat	F05011-17	4	
19	Hose Clamp, 7/32in-5/8in	P649	4	
	Separator Assembly, D35 T4 ECU F/W	079409	1	
20	Mount Weldment, D35 T4 ECU F/W Separator	079471	1	
21	Bolt, 1/4-20x1 Carriage	F05005-34	5	
22	Bolt, 5/16-18x4 Hex Head Grade 5	F05006-109	2	
23	Nut, 5/16-18 Nylok Hex	F05010-58	2	
24	Nut, 1/4-20 Nylock	F05010-69	5	
25	Washer, 1/4 SAE Flat	F05011-11	5	
26	Washer, 5/16 SAE Flat	F05011-17	2	
27	Relays/Fuse Assembly, D35 T4 ECU (See Section 4.8 for Parts)	079422	1	
	Hose, Fuel 5/16" EPA 15G CARB	R02423-3	7 Ft.	
	Hose, Fuel 1/4" EPA 15G CARB	R02423-2	8 Ft.	

D35

4.3 Fuel Tank (D35/D47)

LT40 Rev. K1.03 - K4.08
LT40 Super Rev. J6.00 - J7.17
LT40HD Rev. K3.01 - K6.09
LT40HD Super Rev. K2.00 - K3.17
LT50 Rev. A3.00 - A5.17



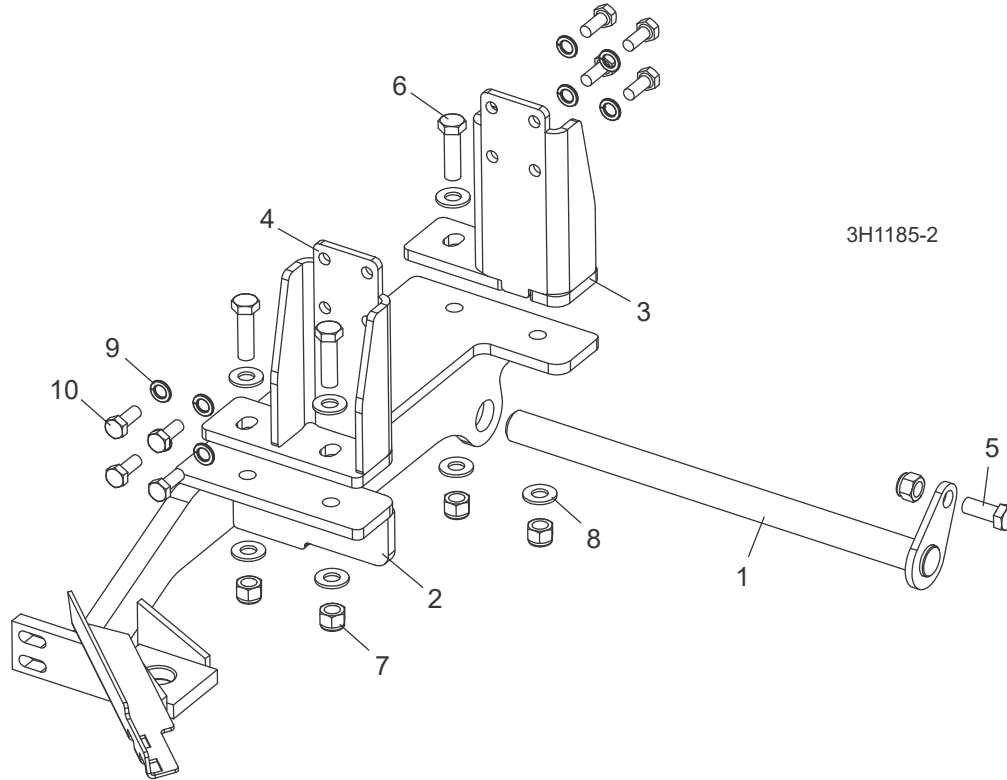
REF	DESCRIPTION (◆ Indicates Parts Available In Assemblies Only)	PART #	QTY.	
	TANK ASSEMBLY, 5 GALLON DIESEL	A12132	1	
1	Tank, 5 Gallon Fuel	P12166	1	◆
2	Pickup, 9" Fuel	P12172	2	
3	Cap, 3/5 Gallon Fuel Tank	P09683	1	
4	Fitting, 1/4" NPT Male Quick Disconnect	015583	1	
5	Fitting, Female Quick Disconnect Barb	015582	1	
6	Fitting, 1/4" NPT Plastic Female Disconnect	P12175	1	
7	Fitting, 1/4" Barb Plastic Male Disconnect	P12176	1	
8	HOSE, 1/4" ID FUEL	P642	7.17 Ft	
9	HOSE, 5/16" ID FUEL	016338	9 Ft.	
10	CLAMP, 7/32 - 1/2 HOSE	P649	4	
11	BULB, 5/16" FUEL LINE PRIMER	006687	1	
	ADDITIVE, DIESEL FUEL 16OZ BOTTLE	004878 ¹	1	
	BULB KIT, DIESEL PRIMER	061080	1	

¹ Stanadyne Performance Formula helps eliminate contaminants and water in fuel, prevents gelling in cold weather, and improves lubrication of fuel system parts. 16 oz. bottle treats 60 gallons of diesel fuel.

D35

4 Replacement Parts Engine Mount Assembly (D35 Tier4)

4.4 Engine Mount Assembly (D35 Tier4)



REF	DESCRIPTION (◆ Indicates Parts Available In Assemblies Only)	PART #	QTY.	
1	PIN WELDMENT, MOTOR PIVOT KUBOTA	015855	1	
2	PIVOT WELDMENT, D35 T4 ENGINE PIVOT	079365	1	
3	MOUNT WELDMENT, D35 T4 LEFT ENGINE MOUNT	079372	1	
4	MOUNT WELDMENT, D35 T4 RIGHT ENGINE MOUNT	079377	1	
5	BOLT, 1/2-13X1 1/4 HEX HEAD GRADE 5	F05008-37	1	
6	BOLT, 1/2-13X1 3/4 HEX HEAD GRADE 5 FT	F05008-88	4	
7	NUT, 1/2-13 NYLON HEX LOCK	F05010-8	5	
8	WASHER, 1/2 SAE FLAT	F05011-2	8	
9	WASHER, 10MM SPLIT LOCK	F05011-88	16	
10	BOLT, M10-1.5X25MM HEX HEAD GRADE 8.8	F81003-11	16	

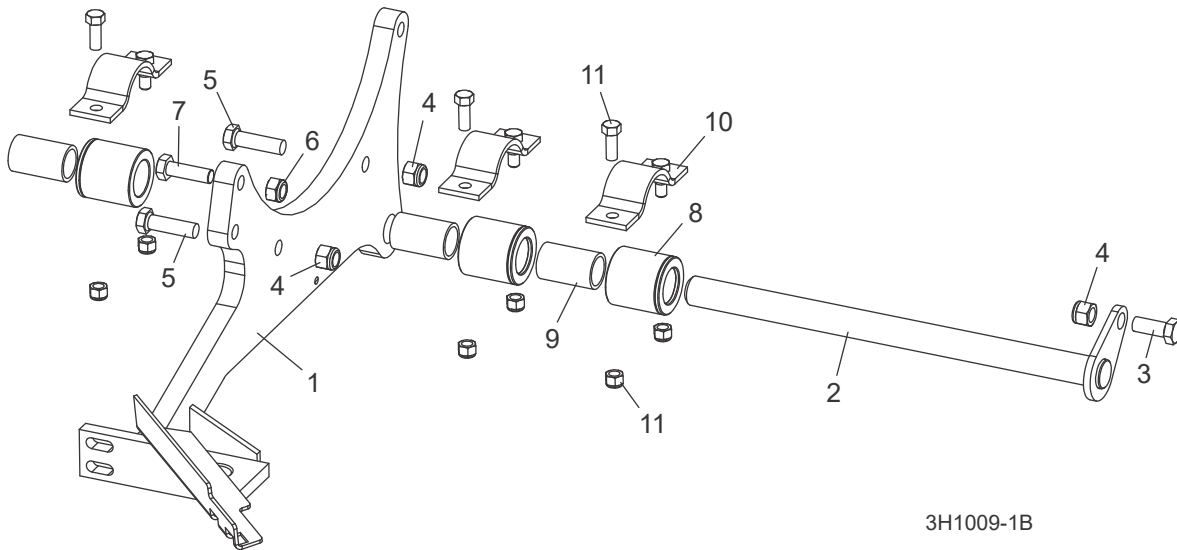
D35

Replacement Parts

Engine Mount Assembly (D35 Tier2/D47)

4

4.5 Engine Mount Assembly (D35 Tier2/D47)



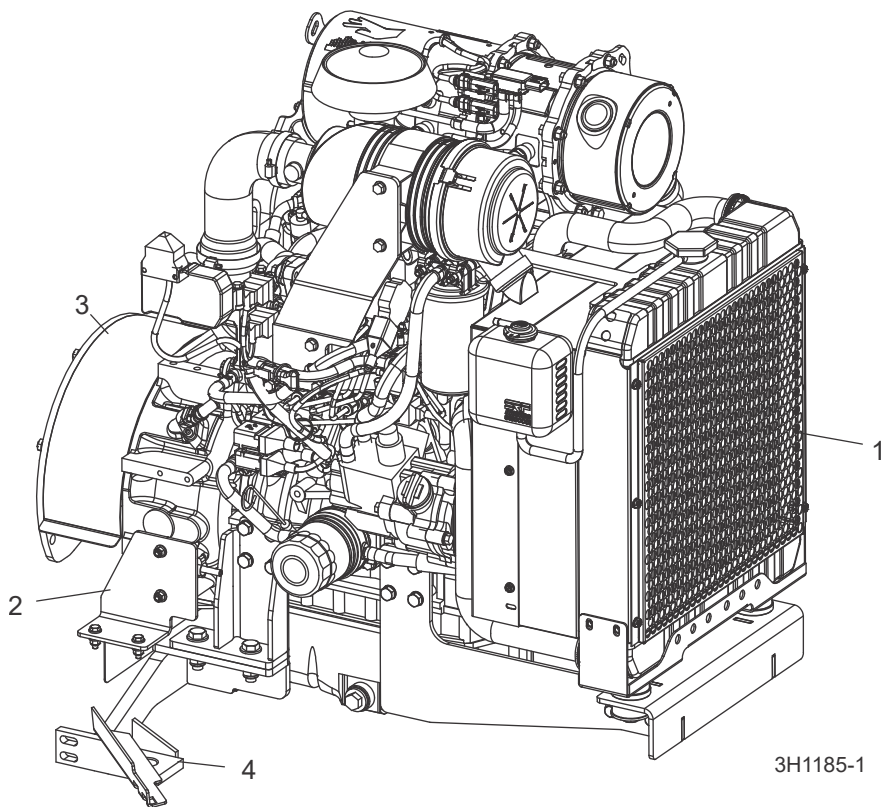
REF	DESCRIPTION (◆ Indicates Parts Available In Assemblies Only)	PART #	QTY.	
1	MOUNT WELDMENT, LT30/40 YANMAR ENGINE	057452	1	
2	PIN WELDMENT, KUBOTA ENGINE MOUNT PIVOT	015855	1	
3	BOLT, 1/2-13 X 1 1/4" HEX HEAD GRADE 5	F05008-37	1	
4	NUT, 1/2-13 HEX NYLON LOCK	F05010-8	3	
5	BOLT, 1/2-13 X 1 3/4" HEX HEAD GRADE 5	F05008-88	2	
6	NUT, M12 X 1.75 HEX NYLON LOCK	F05010-209	1	
7	BOLT, M12 X 1.75 X 90MM HEX HEAD FULL THREAD	F05004-250	1	
	BUSHING ASSEMBLY, MOTOR MOUNT	016380	3	
8	Bushing, 2" OD x 2"	016378	1	◆
9	Bearing, 1" x 1 1/4" x 2"	016379	1	◆
10	CLAMP WELDMENT, MOTOR MOUNT	014540	3	
11	BOLT, 3/8-16 X 1" HEX HEAD	F05007-7	3	
12	NUT, 3/8-16 HEX NYLON LOCK	F05010-10	6	

D35

4 Replacement Parts Engine Assembly (D35 Tier4 Only)

4.6 Engine Assembly (D35 Tier4 Only)

LT40 Rev. K5.00+
 LT40HD Rev. K7.00+
 LT40HD Super Rev. K4.00+
 LT50HD Rev. A6.00+



REF	DESCRIPTION (◆ Indicates Parts Available In Assemblies Only)	PART #	QTY.
	COVER, ENGINE	CED34	1
	ENGINE, 35.9HP YANMAR DIESEL (TIER4)	079323	1
1	Radiator Parts (See Section 4.12)		
	Air Cleaner Assembly, 35.9HP Yanmar	006541	1
	Air Filter, Yanmar 3TNV88 #129087-12510	057948	1
	Cap, Air Filter Assembly Yanmar	061100	1
	Filter, Oil #129150-35170	057935	1
	Filter, Fuel #129A00-55800	061308	1
	Throttle Solenoid/Relay Parts (See Section 4.8)		
	Filter Assembly, Fuel/Water Separator #129A00-59700	061309	1
	Bracket, Fuel/Water Separator Mount	006561	1
	Filter, Water Separator Yanmar #129A00-55730	061310	1
	Muffler Assembly, 35.9HP Yanmar Diesel	006543	1
2	Pump, D35 T4 Fuel Feed	078705	1
	Plate, D35 T4 Fuel Feed Pump Mnt	079417	1
	Bolt, 1/4-20x1 Hex Head Grade 5	F05005-101	2

D35

Replacement Parts Engine Assembly (D35 Tier4 Only)

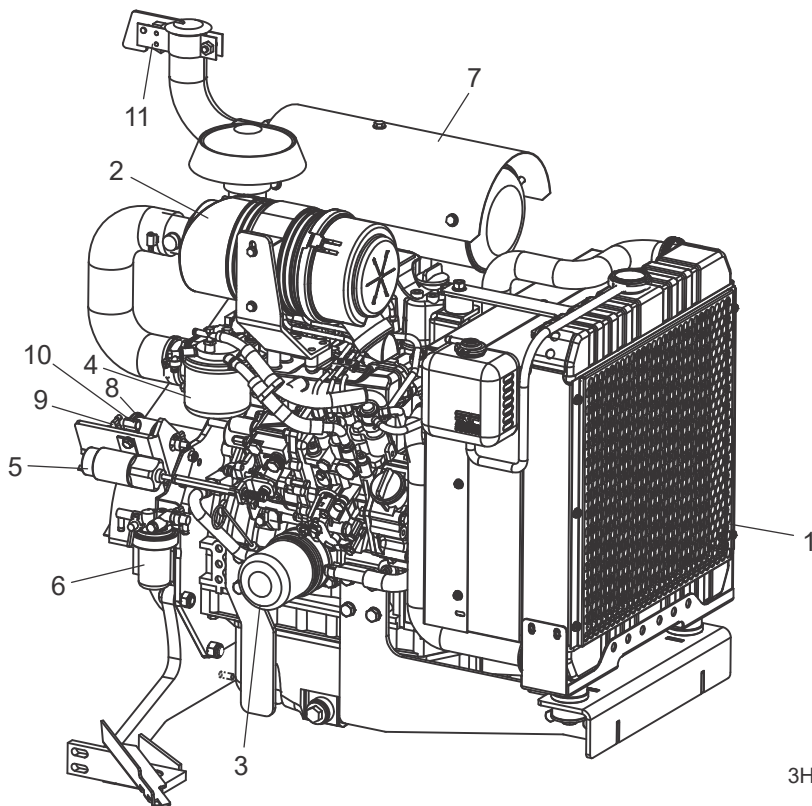
4

	Bolt, 1/4-20x3/4 Hex Head Grade 5	F05005-123	2	
	Nut, 1/4-20 Nylock	F05010-69	4	
	Washer, 1/4 SAE Flat	F05011-11	8	
	Hose Clamp, 7/32in-5/8in	P649	2	
	Hose Clamp, 7/32"-5/8"	P649	4	
	Clamp, 1/2" EMT Coated	P07584	1	
	Cap, Rain D35 Tier 4 KDPF-1	061304	1	
3	Drive Parts (See Section 4.10)			
	Alternator Parts (See Section 4.14)			
4	Bearing Support Parts (See Section 4.19)			
5	Engine Mount Parts (See Section 4.4)			
	Gasket, Yanmar Bonnet #129004-11310	061773	1	
	Gasket Set, Yanmar Engine #719823-92960	057931	1	
	Seal, Yanmar Front Main #119934-01800	057932	1	
	Injector Assembly, Yanmar #129A00-53100	078716	1	
	Switch, Yanmar Oil Pressure #119761-39450	061245	1	
	Seal, Yanmar Rear Main #129795-01780	061311	1	
	Starter Motor, Yanmar #129242-77010	057937	1	
	Thermostat, Yanmar #129155-49801	057938	1	
	Gasket, Thermostat #129150-49811	061312	1	
	Gasket, Thermostat Cover #129795-49551	044652	1	
	Pump, Yanmar Water #129A01-42000	061313	1	
	Gasket, Yanmar Water Pump #129486-42021	057940	1	
	Sender, Yanmar Water Temperature #129927-44900	061172	1	
	Fan, Engine 7 Blade 360mm #121267-44741	AP0114	1	
	Plug, Yanmar Oil Drain #119640-01640	057943	1	
	Seal, Yanmar Oil Drain and Water Temp Sensor #22190-120002	057944	1	
	Plug, Yanmar Glow #129008-77800	057945	1	
	Dip Stick, Yanmar Oil #129004-34802	057946	1	
	Belt, Yanmar Fan #25132-003600	044668	1	
	Heater, Yanmar Engine Block #171015-77900	061078	1	
	Cable, Heater Engine Block D35/D47	061226	1	

D35

4 Replacement Parts Engine Assembly (D35 Tier2 Only)

4.7 Engine Assembly (D35 Tier2 Only)



3H1009-4B

REF	DESCRIPTION (◆ Indicates Parts Available In Assemblies Only)	PART #	QTY.
	COVER, ENGINE	CED34	1
	ENGINE, 35.9HP YANMAR DIESEL (TIER2 ENGINE FOR OUTSIDE U.S. ONLY)	074236	1
	ENGINE, 35.9HP YANMAR DIESEL	006540 ¹	1
1	Radiator Parts (See Section 4.13)		
2	Air Cleaner Assembly, 35.9HP Yanmar	006541	1
	Air Filter, E1 Primary Element Enginaire	028597 ²	1
	Cap, Air Filter Assembly Yanmar	061100	1
3	Filter, Oil #129150-35153-12	057935	1
4	Filter, Fuel #119802-55801	057933	1
5	Throttle/Fuel Pump Parts (See Section 4.9)		
6	Filter Assembly, Fuel/Water Separator	040345	1
	Bracket, Fuel/Water Separator Mount	006561	1
	Filter, Water Separator Yanmar	061099	1
7	Muffler Assembly, 35.9HP Yanmar Diesel	006543	1
8	Pump, Yanmar Fuel Feed	061074	1
9	Hose Clamp, 7/32"-5/8"	P649	4
10	Clamp, 1/2" EMT Coated	P07584	1
11	Cap, Yanmar D35 Rain #129087-13530	061073	1
	Drive Parts (See Section 4.11)		

D35

Replacement Parts Engine Assembly (D35 Tier2 Only)

4

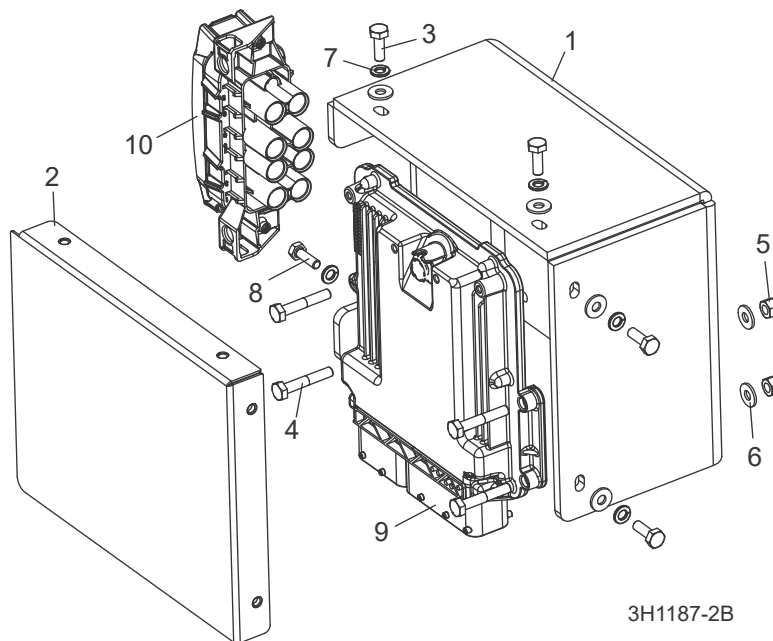
Alternator Parts (See Section 4.15)			
Bearing Support Parts (See Section 4.19)			
Engine Mount Parts (See Section 4.5)			
Gasket, Yanmar Bonnet #129004-11310	061773	1	
Gasket Set, Yanmar Engine #719823-92960	057931	1	
Seal, Yanmar Front Main #119934-01800	057932	1	
Injector Assembly, Yanmar #729604-53200	057934	1	
Switch, Yanmar Oil Pressure #114250-39450	057936	1	
Seal, Yanmar Rear Main #129120-01780	057057	1	
Starter Motor, Yanmar #129242-77010	057937	1	
Thermostat, Yanmar #129155-49801	057938	1	
Gasket, Yanmar Thermostat #129795-49551	044641	1	
Pump, Yanmar Water #129004-42001	057939	1	
Gasket, Yanmar Water Pump #129486-42021	057940	1	
Sender, Yanmar Water Temperature #121250-44901	044655	1	
Solenoid, Yanmar Fuel #119653-77950	044656	1	
Diode, Yanmar Solenoid Relay #119643-66900	044657	1	
Timer, Yanmar Air Heater #128300-77920	057941	1	
Fan, Engine 7 Blade 360mm #121267-44741	AP0114	1	
Gasket, Yanmar Head #129001-01340	057942	1	
Plug, Yanmar Oil Drain #119640-01640	057943	1	
Seal, Yanmar Oil Drain #22190-220002	057944	1	
Plug, Yanmar Glow #129008-77800	057945	1	
Dip Stick, Yanmar Oil #129004-34802	057946	1	
Belt, Yanmar Fan #25132-003600	044668	1	
Pipe, Yanmar Fuel Return #129004-49610	057947	1	
Spring, Governor Yanmar #129573-61700	061053	1	
Strainer, Yanmar Fuel	056587	1	
Heater, Yanmar Engine Block #171015-77900	061078	1	
Cable, Heater Engine Block D35/D47	061226	1	

¹ Replaced with D35 Tier4 Engine (LT40 Rev. K5.00+/LT40HD Rev. K7.00+/LT40HD Super Rev. K4.00+/LT50 Rev. A6.00+). See Section Engine Assembly (D35 Tier4 Only).

² In 2013 the D35 Engines could have either a Donaldson Air Filter (057948) or an Enginaire Air Filter (028597). All D35 Engines sold before 2013 have a Donaldson Air Filter. All D35 engines sold after 2013 have an Enginaire Air Filter. Customers with 2013 sawmills need to be asked which filter they have prior to ordering.

4 Replacement Parts ECU & Relay/Fuse Assembly (D35 Tier4 Only)

4.8 ECU & Relay/Fuse Assembly (D35 Tier4 Only)



REF	DESCRIPTION (◆ Indicates Parts Available In Assemblies Only)	PART #	QTY.
	RELAY/FUSE ASSEMBLY, 35.9HP ECU	079422	1
1	Plate, D35 T4 ECU Mount Plate	079420	1
2	Cover Weldment, D35 T4 Relays/Fuse	079428	1
3	Bolt, 1/4-20x3/4 Hex Head Grade 5	F05005-123	4
4	Bolt, 1/4-20x1 1/2 Hex Head Grade 5	F05005-124	4
5	Nut, 1/4-20 Nylock	F05010-69	4
6	Washer, 1/4 SAE Flat	F05011-11	8
7	Washer, 1/4 Split Lock	F05011-14	6
8	Bolt, M6-1 x 20 Class 8 Hex Head	F05020-6	2
9	Yanmar T4 Final ECU (Supplied w/Engine)	N/A ¹	1
10	Assembly, D46 T4 Fuse/Relay (Supplied w/Engine)	N/A	1
	Relay, Start/Glow Plug 30M9206	061315	2
	Fuse, Max 60 299060	061316	1
	Fuse, Max 80 299080	061317	1
	SWITCH ASSEMBLY, TIER 4 MAGNETIC THROTTLE	073599	1

¹ When replacing the ECU, it is necessary to update the software of the ECU using the designated service tool. Please contact Yanmar for details.

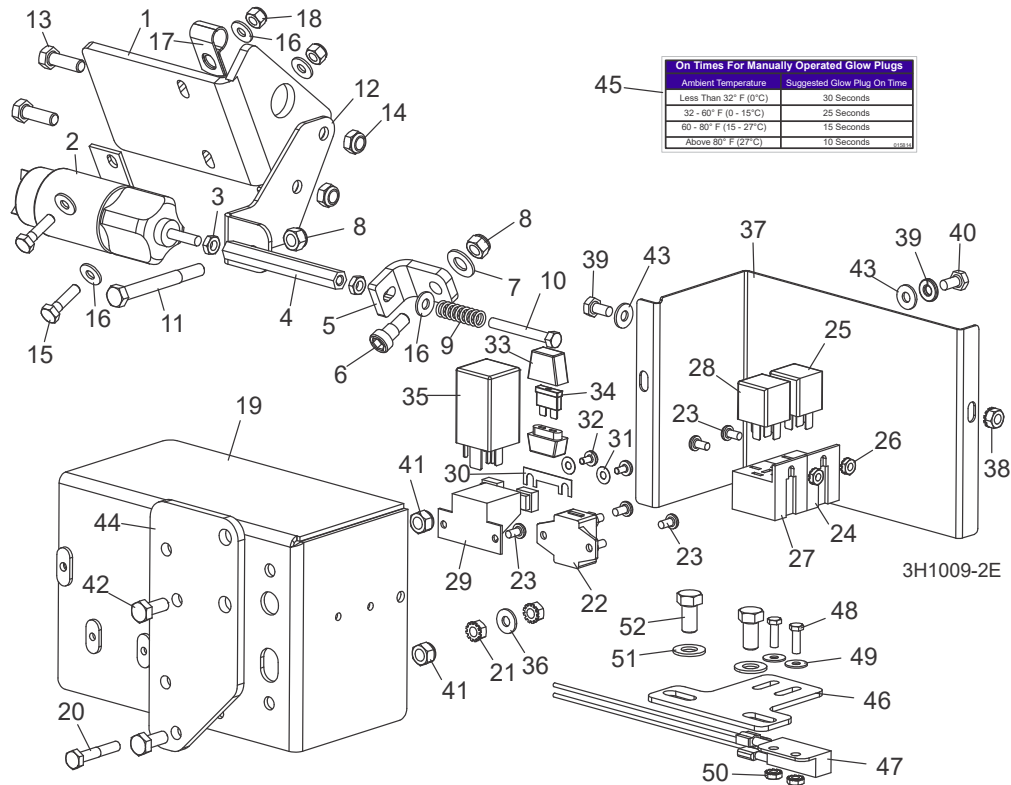
D35

Replacement Parts

4

Relay/Throttle Assembly (D35 Tier2 Only)

4.9 Relay/Throttle Assembly (D35 Tier2 Only)



REF	DESCRIPTION (◆ Indicates Parts Available In Assemblies Only)	PART #	QTY.
	PUMP ASSEMBLY, 35.9HP THROTTLE/FUEL	074248	1
1	Plate, Yanmar Throttle Solenoid Mount	006566	1
	Solenoid Kit, Throttle, Yanmar/Cat	074475	1
2	Solenoid, Throttle	045848	1
	Instruction Sheet, Solenoid Adjustment	074475-2058	1
3	Nut, 1/4-28 Hex Jam	F05010-113	2
4	Link, Throttle Actuator	045850	1
5	Plate, Short Throttle Connecting	006567	1
6	Bolt, 3/8" X 5/16-18" Socket Head Shoulder	F05007-159	1
7	Washer, 3/8" SAE Flat	F05011-3	1
8	Nut, 5/16-18 Hex Nylon Lock	F05010-58	2
9	Spring, .42" x 1.34" x .061"	P11644	1
10	Bolt, 1/4-28 x 2" Hex Head Grade 5	F05005-188	1
11	Bolt, 5/16-18 x 3" Hex Head Grade 5	F05006-62	1
12	Bracket, Fuel/Water Separator Mount	006561	1
13	Bolt, M8-1.25 x 1mm Hex Head	F05004-40	2
14	Nut, M8 Hex Nylon Lock	F05010-132	2
15	Bolt, 1/4-20 x 1" Hex Head Grade 5	F05005-101	2
16	Washer, 1/4" Sae Flat	F05011-11	5
17	Clamp, 1/2" EMT Coated	P07584	1

D35

4

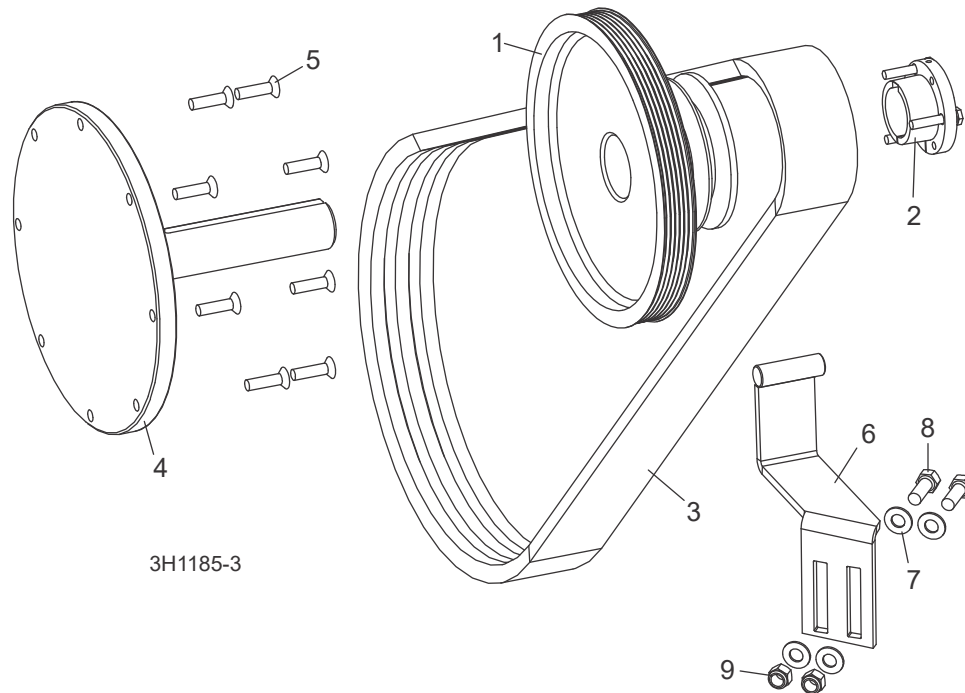
Replacement Parts

Relay/Throttle Assembly (D35 Tier2 Only)

18	Nut, 1/4-20 Hex Nylon Lock	F05010-69	2	
	RELAY ASSEMBLY, YANMAR W/COVER	074232	1	
	Bracket Assembly, Yanmar Relay (2012)	069625	1	
19	Bracket Weldment, Glow Plug Relay Mount	036269	1	
20	Bolt, 1/4-20 x 1 1/2" Hex Head Full Thread	F05005-31	1	
21	Nut, 1/4-20 Self-Locking Hex	F05010-9	2	
22	Breaker, 15A Manual Reset Circuit	E20430	1	
23	Screw, #10-24 x 3/8" Phillips Head	F05004-3	6	
	Relay Assembly, Yanmar Throttle (2008)	053234	1	
24	Socket, Relay Plug	050033	1	
25	Relay, ISO 12V Coil w/Diode	051335	1	
26	Nut, #10-24 Hex	F05010-14	2	
	Relay Assembly, Yanmar Starter (2008)	053233	1	
27	Socket, Relay Plug	050033	1	
28	Relay, ISO 12V Coil w/Diode	051335	1	
	Relay Assembly, Yanmar Glow Plug (2012)	069624	1	
29	Socket, Glow Plug Relay w/Fuse Holder	024554	1	
30	Fuse Link, 50 Amp	024597	1	
31	Washer, M5 Wave	F81052-4	2	
32	Screw, M5-0.8 x 8mm Phillips Head Black Oxide	F81000-14	2	
33	Fuseholder, In-Line 3-20A ATC w/Cover	024555	1	
34	Fuse, 4A ATO Blade (Pink)	024150-4	1	
	Resistor Assembly, 3K Cat Glow Plug Wire	052662	1	
35	Relay, Diesel Glow Plug	023359	1	
36	Washer, 1/4" SAE Flat	F05011-11	1	
37	Cover, Relay Assembly	045824	1	
38	Nut, 1/4-20 Self-Locking Hex	F05010-9	1	
39	Washer, 1/4" Split Lock	F05011-14	1	
40	Bolt, 1/4-20 X 1/2" Hex Head	F05005-15	2	
41	Nut, 5/16-18 Hex Nylon Lock	F05010-58	2	
42	Bolt, 5/16-18 x 3/4" Hex Head	F05006-5	2	
43	Washer, 1/4" SAE Flat	F05011-11	2	
44	PLATE, GLOW PLUG RELAY MOUNT ADAPTOR	006523	1	
45	DECAL, GLOW PLUG OPERATION	015814	1	
46	BRACKET, SENSOR MOUNT	016617	1	
47	SENSOR, CATERPILLAR THROTTLE	051436	1	
48	BOLT, #10-24 X 5/8" HEX HEAD	F05004-18	2	
49	WASHER, #10 SAE FLAT	F05011-18	2	
50	NUT, #10-24 SELF-LOCKING HEX	F05010-14	2	
51	WASHER, 3/8" SAE FLAT	F05011-3	2	
52	BOLT, 3/8-16 X 3/4" HEX HEAD	F05007-27	2	

D35

4.10 Drive Assembly (D35 Tier4 Only)

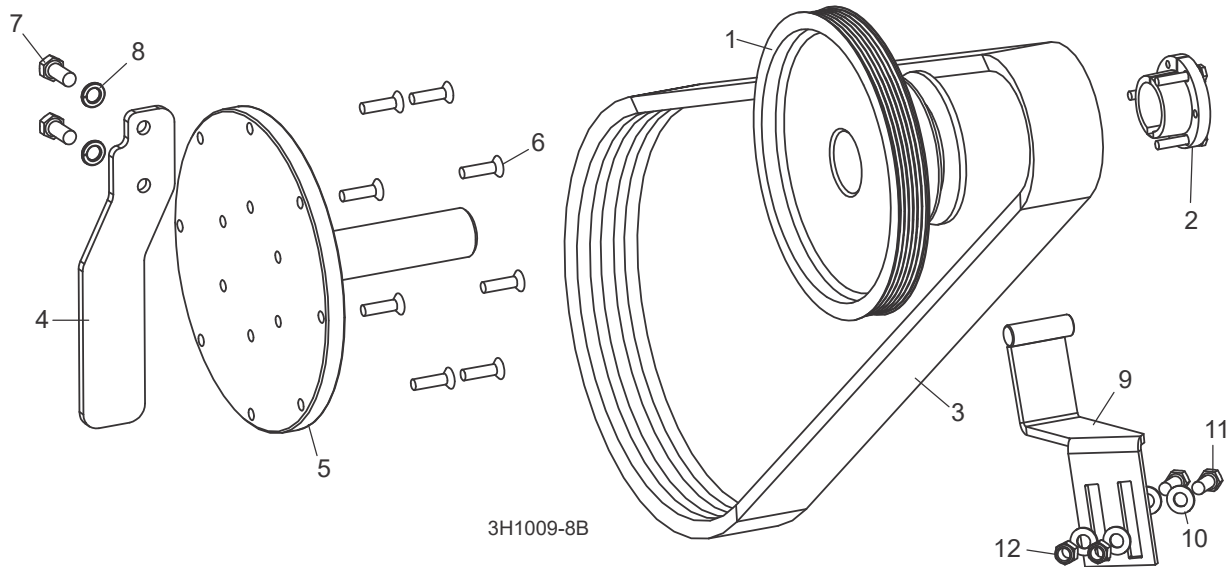


REF	DESCRIPTION (◆ Indicates Parts Available In Assemblies Only)	PART #	QTY.
1	SHEAVE, 5V X 4.46" POLY V (GAS/DIESEL)	016533	1
2	BUSHING, SH X 1 7/16"	016535	1
3	BELT, 3/5VFL765 KEVLAR	110268	1
4	SHAFT, D35 T4 YANMAR LARGE STUB	079481	1
5	BOLT, M8-1.25 X 30MM FLAT SOCKET HEAD	F05004-245	8
6	BRACKET, DRIVE BELT SUPPORT	016364	1
7	WASHER, 3/8" SAE FLAT	F05011-3	4
8	BOLT, 3/8-16 X 1" HEX HEAD	F05007-7	2
9	NUT, 3/8-16 HEX NYLON LOCK	F05010-10	2

D35

4 Replacement Parts Drive Assembly (D35 Tier2)

4.11 Drive Assembly (D35 Tier2)



REF	DESCRIPTION (◆ Indicates Parts Available In Assemblies Only)	PART #	QTY.
1	SHEAVE, 5V X 4.46" POLY V (GAS/DIESEL)	016533	1
2	BUSHING, SH X 1 7/16"	016535	1
3	BELT, 3/5VL770	046571	1
4	PLATE, YANMAR ENGINE STOP	006620	1
5	SHAFT, YANMAR LARGE DRIVE STUB (LONG)	071326	1
6	BOLT, M8-1.25 X 30MM FLAT SOCKET HEAD	F05004-245	8
7	BOLT, M10-1.5 X 25MM HEAD HEAD GRADE 8.8	F81003-11	2
8	WASHER, 10MM SPLIT LOCK	F05011-88	2
9	BRACKET, DRIVE BELT SUPPORT	016364	1
10	WASHER, 3/8" SAE FLAT	F05011-3	4
11	BOLT, 3/8-16 X 1" HEX HEAD	F05007-7	2
12	NUT, 3/8-16 HEX NYLON LOCK	F05010-10	2

D35

Replacement Parts

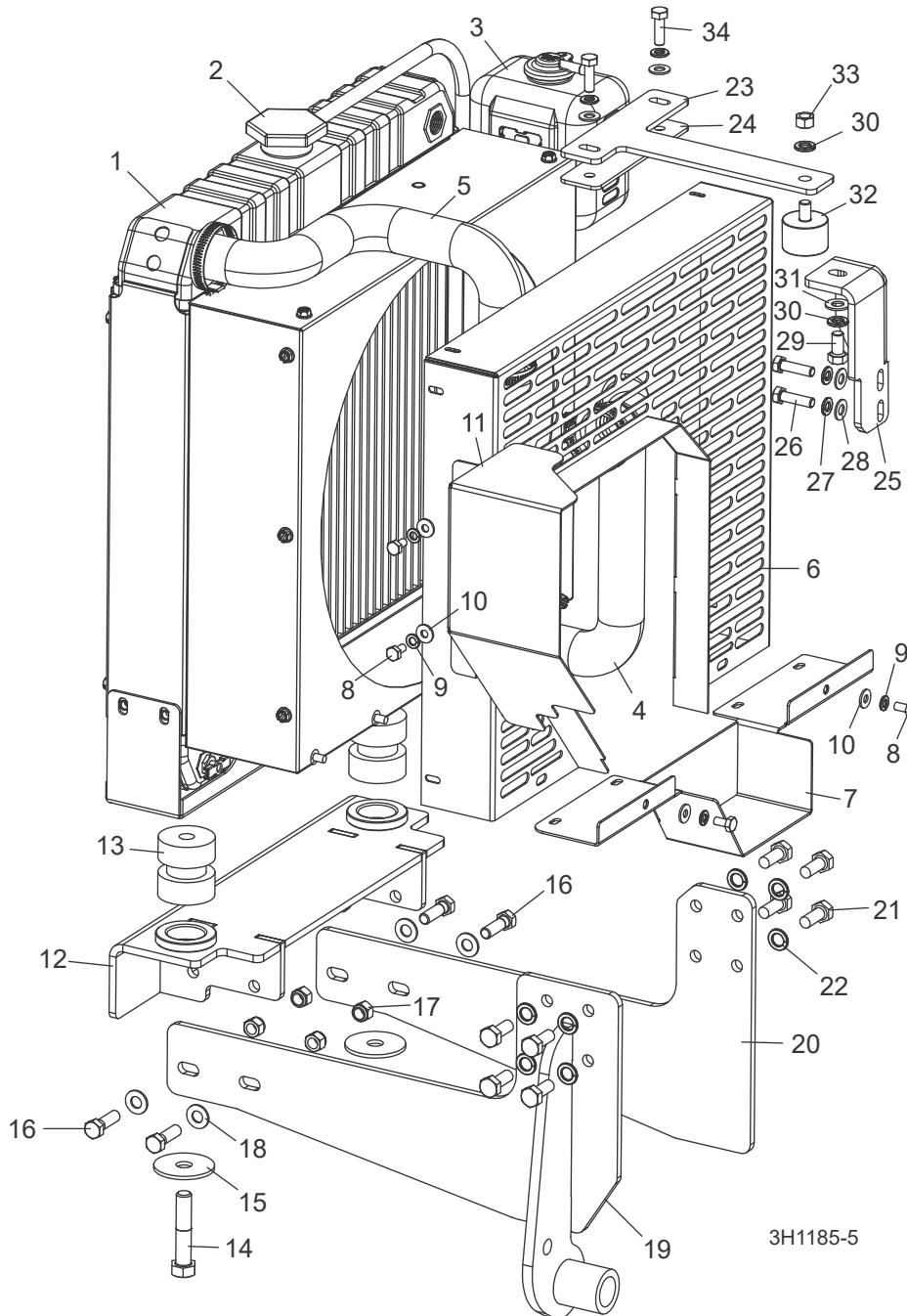
Radiator Assembly (D35 Tier4 Only)

4

4.12 Radiator Assembly (D35 Tier4 Only)

LT40
LT40HD
LT40HD Super
LT50HD

Rev. K5.00+
Rev. K7.00+
Rev. K4.00+
Rev. A6.00+



REF	DESCRIPTION	(◆ Indicates Parts Available In Assemblies Only)	PART #	QTY.
-----	-------------	--	--------	------

D35

4

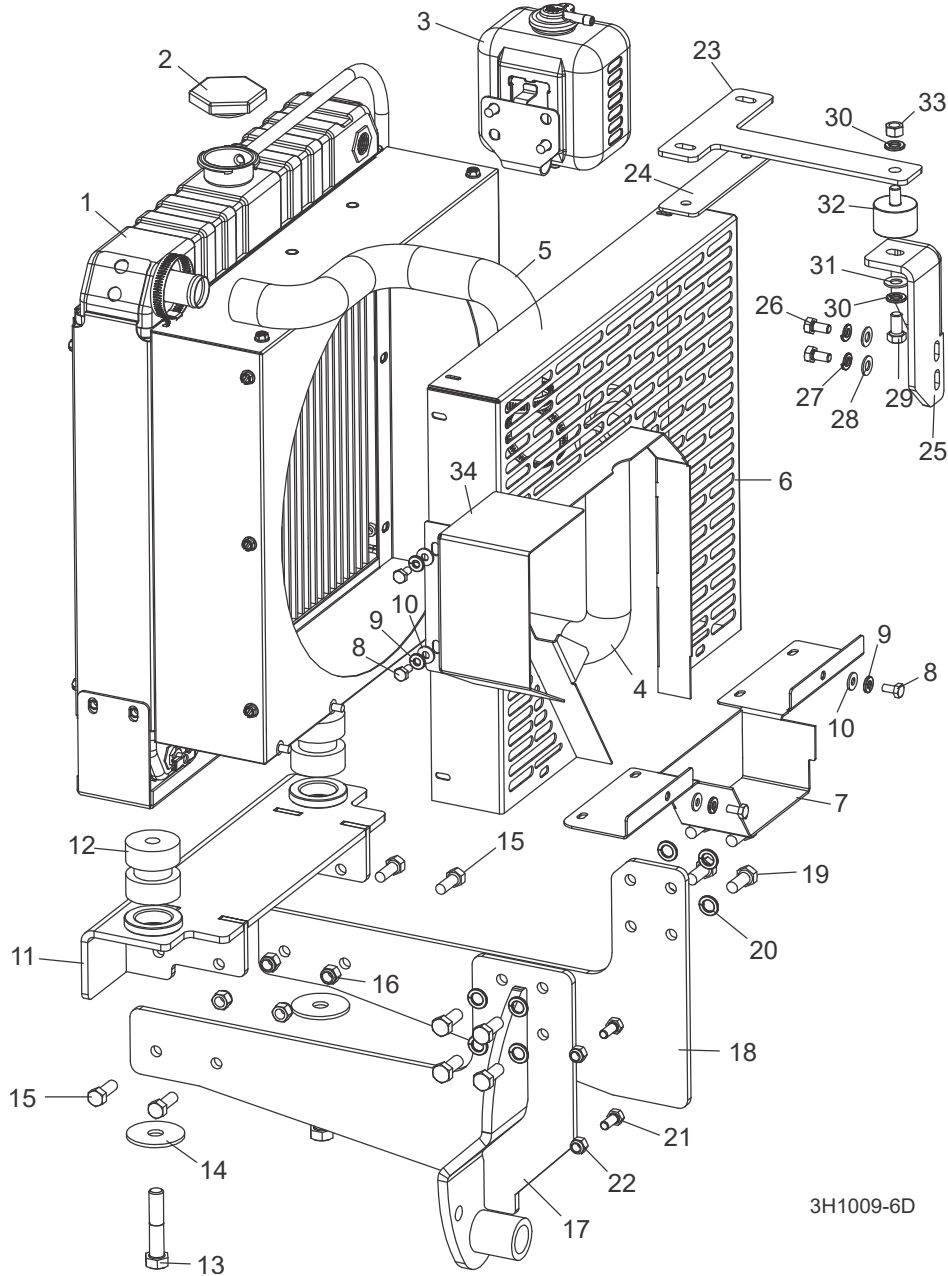
Replacement Parts

Radiator Assembly (D35 Tier4 Only)

	RADIATOR KIT, YANMAR #KR2	044804	1	
1	Radiator, Diesel Engines #129689-44510	057949	1	
2	Cap, Yanmar Radiator #129987-44570	044660	1	
3	Bottle Assembly, Yanmar #123987-43600	040387	1	
4	Hose, Yanmar Lower Radiator #129689-49020	057950	1	
5	Hose, Yanmar Upper Radiator #129687-49010	057951	1	
	COVER ASSEMBLY, D35 T4 RADIATOR	079627	1	
6	Cover Weldment, D35 T4 Radiator	079477	1	
7	Cover Weldment, Radiator Lower	006604	1	
8	Bolt, 1/4-20 x 1/2" Hex Head	F05005-15	4	
9	Washer, 1/4" Split lock	F05011-14	4	
10	Washer, 1/4" SAE Flat	F05011-11	4	
11	Plate, D35 T4 Yanmar Alt Cover	079478	1	
	MOUNT ASSEMBLY, YANMAR LOWER RADIATOR	074229	1	
12	Mount Weldment, Yanmar Radiator	006530	1	
13	Bushing, Rubber Mount	018734	2	
14	Bolt, 1/2-13 x 2 1/2" Hex Head Grade 5	F05008-74	2	
15	Washer, Engine Mount	018751	2	
16	Bolt, 3/8-16x1 1/4 FT Hex Head Grade 5	F05007-123	4	
17	Nut, 3/8-16 Hex Nylon Lock	F05010-10	4	
18	Washer, 3/8 Flat SAE	F05011-3	4	
19	MOUNT WELDMENT, D35 T4 FRONT ENGINE	079350	1	
20	PLATE, YANMAR FRONT ENGINE MOUNT	058714	1	
21	BOLT, M10-1.5 X 25MM HEX HEAD GRADE 8.8	F81003-11	8	
22	WASHER, 10MM SPLIT LOCK	F05011-88	8	
	MOUNT ASSEMBLY, 35.9HP UPPER RADIATOR	074228	1	
23	Plate, Yanmar Top Radiator support	006531	1	
24	Plate, Top Radiator Mount Spacer	006557	1	
25	Plate, Yanmar Top Radiator Mount	006558	1	
26	Screw, M8-1.25x30 HHC	F05021-11	2	
27	Washer, 8mm Split Lock	F05011-45	4	
28	Washer, 5/16" SAE Flat	F05011-17	4	
29	Bolt, 3/8-16 x 3/4" Hex Head Grade 2	F05007-27	1	
30	Washer, 3/8" Split Lock	F05011-4	2	
31	Washer, 3/8" SAE Flat	F05011-3	1	
32	Bushing, Rubber Radiator Mount	028217	1	
33	Nut, 3/8-16 Hex	F05010-1	1	
34	Bolt, M8x1.25x25mm C/S 8.8 Din 933 HH	F05004-40	2	

D35

4.13 Radiator Assembly (D35 Tier2)



REF	DESCRIPTION (◆ Indicates Parts Available In Assemblies Only)	PART #	QTY.	
	RADIATOR KIT, YANMAR #KR2	044804	1	
1	Radiator, Diesel Engines #129689-44510	057949	1	
2	Cap, Yanmar Radiator #129987-44570	044660	1	
3	Bottle Assembly, Yanmar #123987-43600	040387	1	
4	Hose, Yanmar Lower Radiator #129689-49020	057950	1	

D35

4

Replacement Parts

Radiator Assembly (D35 Tier2)

5	Hose, Yanmar Upper Radiator #129687-49010	057951	1	
6	COVER WELDMENT, RADIATOR	006607 ¹	1	
7	COVER WELDMENT, RADIATOR LOWER	006604	1	
8	BOLT, 1/4-20 X 1/2" HEX HEAD	F05005-15	4	
9	WASHER, 1/4" SPLIT LOCK	F05011-14	4	
10	WASHER, 1/4" SAE FLAT	F05011-11	4	
	MOUNT ASSEMBLY, YANMAR LOWER RADIATOR	074229	1	
11	Mount Weldment, Yanmar Radiator	006530	1	
12	Bushing, Rubber Mount	018734	2	
13	Bolt, 1/2-13 x 2 1/2" Hex Head Grade 5	F05008-74	2	
14	Washer, Engine Mount	018751	2	
15	Bolt, 3/8-16 x 1" Hex Head	F05007-7	4	
16	Nut, 3/8-16 Hex Nylon Lock	F05010-10	4	
17	MOUNT WELDMENT, YANMAR FRONT	058725	1	
18	PLATE, YANMAR FRONT ENGINE MOUNT	058714	1	
19	BOLT, M10-1.5 X 25MM HEX HEAD GRADE 8.8	F81003-11	8	
20	WASHER, 10MM SPLIT LOCK	F05011-88	8	
21	BOLT, 5/16-18 X 3/4" HEX HEAD	F05006-5	2	
22	NUT, 5/16-18 HEX NYLON LOCK	F05010-58	2	
	MOUNT ASSEMBLY, 35.9HP UPPER RADIATOR	074228	1	
23	Plate, Yanmar Top Radiator support	006531	1	
24	Plate, Top Radiator Mount Spacer	006557	1	
25	Plate, Yanmar Top Radiator Mount	006558	1	
26	Bolt, M8 x 125 x 16mm Hex Head	F05004-47	2	
27	Washer, 8mm Split Lock	F05011-45	2	
28	Washer, 5/16" SAE Flat	F05011-17	2	
29	Bolt, 3/8-16 x 3/4" Hex Head Grade 2	F05007-27	1	
30	Washer, 3/8" Split Lock	F05011-4	2	
31	Washer, 3/8" SAE Flat	F05011-3	1	
32	Bushing, Rubber Radiator Mount	028217	1	
33	Nut, 3/8-16 Hex	F05010-1	1	
34	COVER, YANMAR 35HP ALTERNATOR	008913 ¹	1	

¹ Cover Weldment 006607 modified 3/10 to accept new cover 008913 to provide sufficient guarding for Yanmar engine with new-style alternator.

D35

Replacement Parts Alternator Assembly (D35 Tier4)

4

4.14 Alternator Assembly (D35 Tier4)

LT40

Rev. K5.00+

LT40HD

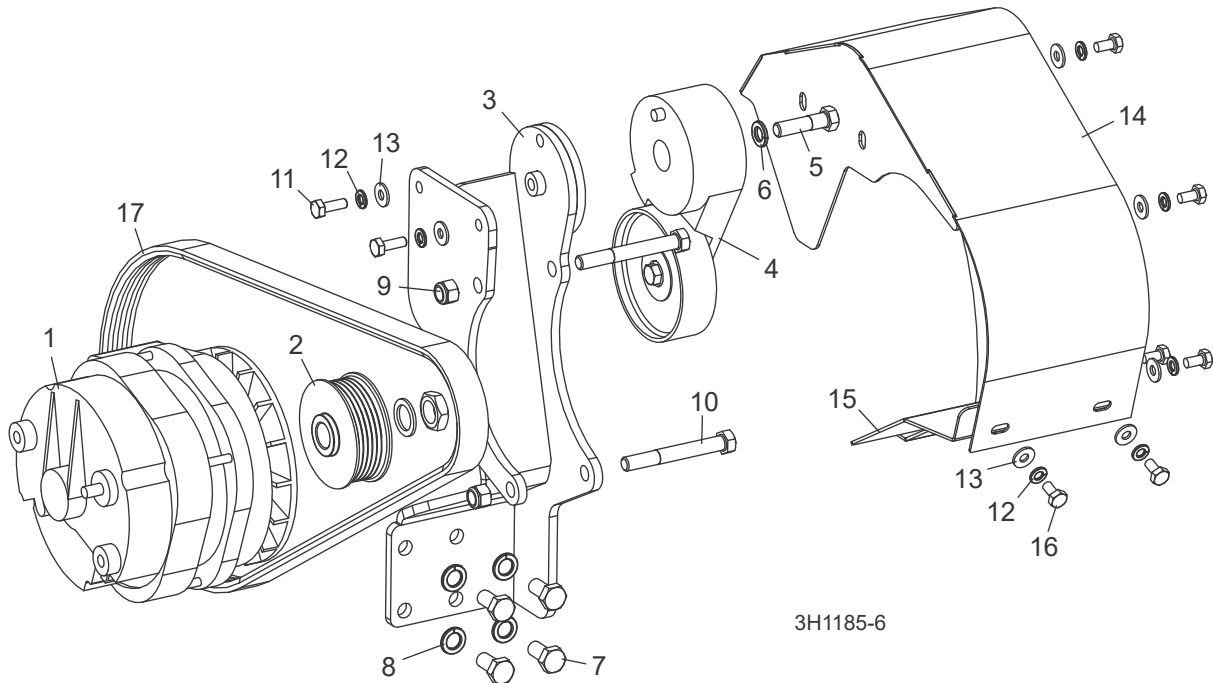
Rev. K7.00+

LT40HD Super

Rev. K4.00+

LT50HD

Rev. A6.00+



REF	DESCRIPTION (◆ Indicates Parts Available In Assemblies Only)	PART #	QTY.
	Wire Assembly, Starter to Alternator	024308	1
	Wire Assembly, Engine to Alternator Ground	050941	1
	Alternator Assembly, Yanmar	079399	1
	Alternator Assembly, 140 Amp	046429	1 ◆
1	Alternator, 140 Amp	023695	1
2	Pulley, 2 3/4" Dia. Alternator	046402	1
3	Mount Weldment, D35 T4 Alternator	079394	1
4	Tensioner, Alternator Belt	034464	1
5	Bolt, 3/8-16 x 1 1/2" Hex Head Grade 5	F05007-78	1
6	Washer, 3/8" Split Lock	F05011-4	1
7	Bolt, M10-1.50x20mm HH FT 8.8	F05004-207	1
8	Washer, 10mm Split Lock	F05011-88	1
9	Nut, 3/8-16 Hex Nyloc	F05010-10	1
10	Bolt, 3/8-16x3 HH Gr5	F05007-73	1
	Cover Assembly, D35 T4 Alternator	079544	1
11	Bolt, 1/4-20x3/4 FT HHC	F05005-1	2
12	Washer, 1/4 Split Lock	F05011-14	10
13	Washer, 1/4 SAE Flat	F05011-11	10
14	Cover Weldment, D35 T4 Alternator	079543	1

D35

4

Replacement Parts

Alternator Assembly (D35 Tier4)

15	Cover Weldment, D35 T4 Lower Alt	079576	1	
16	Bolt, 1/4-20x1/2 Hex Head	F05005-15	8	
17	Belt, 6PK1145	006524	1	

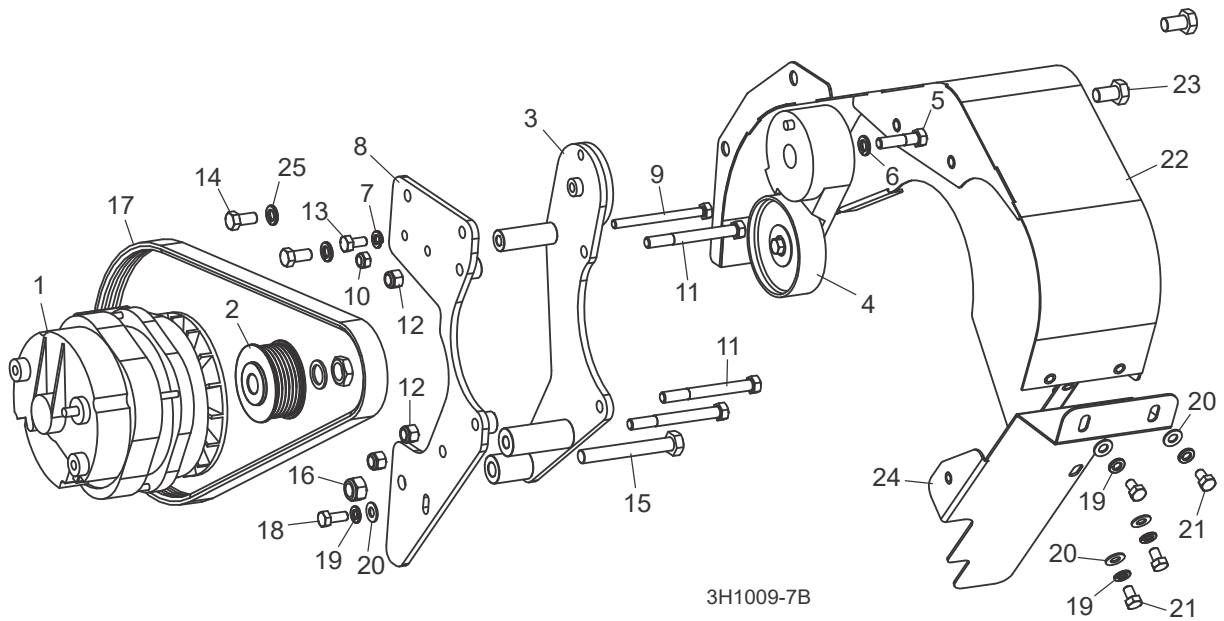
D35

Replacement Parts

Alternator Assembly (D35 Tier2/D47)

4

4.15 Alternator Assembly (D35 Tier2/D47)



REF	DESCRIPTION (◆ Indicates Parts Available In Assemblies Only)	PART #	QTY.
	Wire Assembly, Starter to Alternator	024308	1
	Wire Assembly, Engine to Alternator Ground	050941	1
	Alternator Assembly, Yanmar	074234	1
	Alternator Assembly, 140 Amp	046429	1 ◆
1	Alternator, 140 Amp	023695	1
2	Pulley, 2 3/4" Dia. Alternator	046402	1
3	Mount Weldment, Yanmar ALternator TEnsiomer	057493	1
4	Tensioner, Alternator Belt	034464	1
5	Bolt, 3/8-16 x 1 1/2" Hex Head Grade 5	F05007-78	1
6	Washer, 3/8" Split Lock	F05011-4	1
7	Washer, 8mm Split Lock	F05011-45	1
8	Mount Weldment, Yanmar ALternator	058708	1
9	Bolt, M8 x 1.25 x 90mm Hex Head Full Thread	F05004-247	1
10	Nut, M8 Hex Nylon Lock	F05010-132	1
11	Bolt, 3/8-16 x 3 1/2" Hex Head Grade 5	F05004-123	3
12	Nut, 3/8-16 Hex Nylon Lock	F05010-10	3
13	Bolt, M8 x 125 x 16mm Hex Head	F05004-47	1
14	Bolt, 3/8-16 x 3/4" Hex Head Grade 2	F05007-27	2
15	Bolt, M12 x 1.75 x 90mm Hex Head Full Thread	F05004-249	1
16	Nut, M12 x 1.75 Hex Nylon Lock	F05010-209	1
17	Belt, 6PK1145	006524	1
	Cover Assembly, Yanmar Alternator	074233	1
18	Bolt, 5/16-18 x 3/4" Hex Head	F05006-5	1

D35

4

Replacement Parts

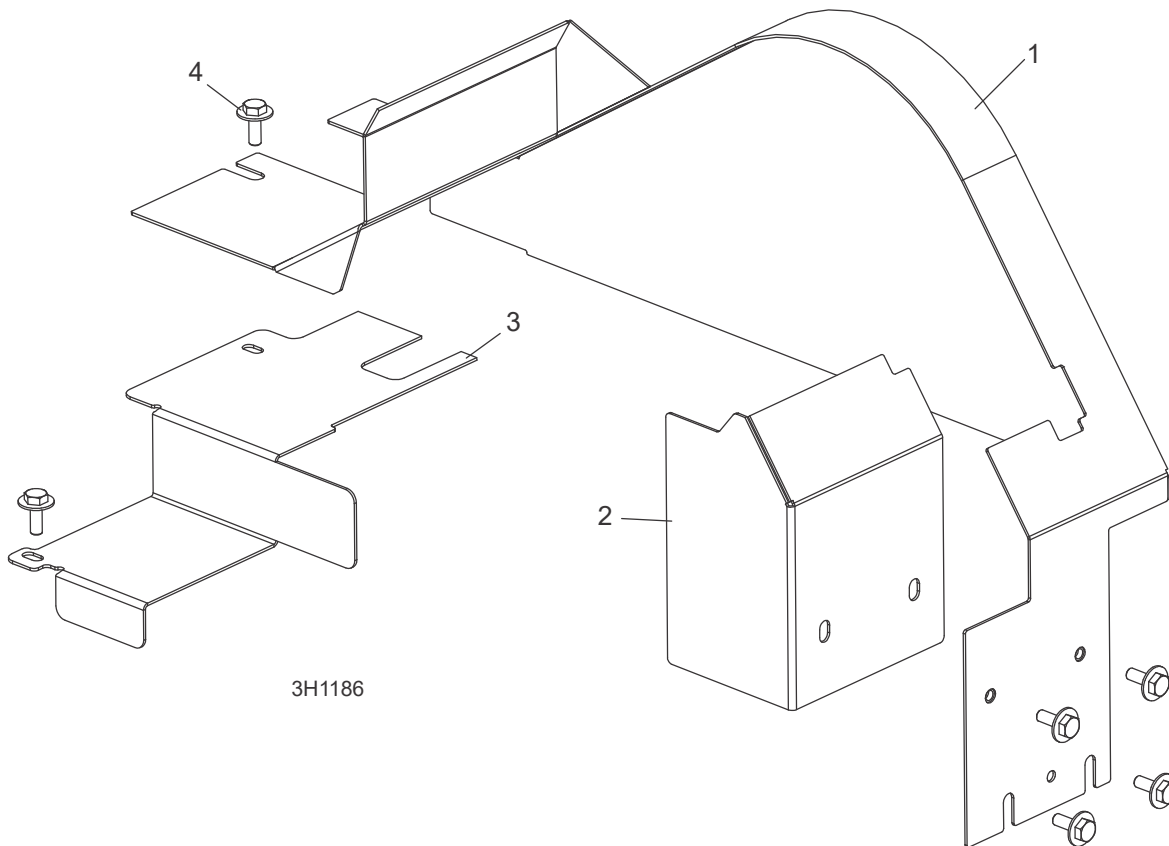
Alternator Assembly (D35 Tier2/D47)

19	Washer, 5/16 Split Lock	F05011-13	5	
20	Washer, 5/16 SAE Flat	F05011-17	5	
21	Bolt, 5/16-18 x 1/2" Hex Head Grade 5	F05006-15	4	
22	Cover Weldment, Yanmar ALternator	058704	1	
23	Bolt, 3/8-16 x 3/4" Hex Head Grade 2	F05007-27	2	
24	Cover Weldment, Lower Yanmar Alternator	058712	1	
25	Washer, 3/8" Split Lock	F05011-4	2	

D35

4.16 Engine Pulley Guards (D35 Tier4 Only)

LT40 Rev. K5.00+
LT40HD Rev. K7.00+
LT40HD Super Rev. K4.00+
LT50HD Rev. A6.00+



REF	DESCRIPTION (◆ Indicates Parts Available In Assemblies Only)	PART #	QTY.	
	COVER ASSEMBLY, D35 T4 TOP PULLEY	079718	1	
1	Cover Weldment, D35 T4 Top Pulley	079473	1	
2	Plate, D35 T4 Cover	079707	1	
3	Plate, D35 T4 Side Guard	079714	1	
4	Bolt, 1/4-20x3/4 HH w/Conical Washer	F05005-134	6	

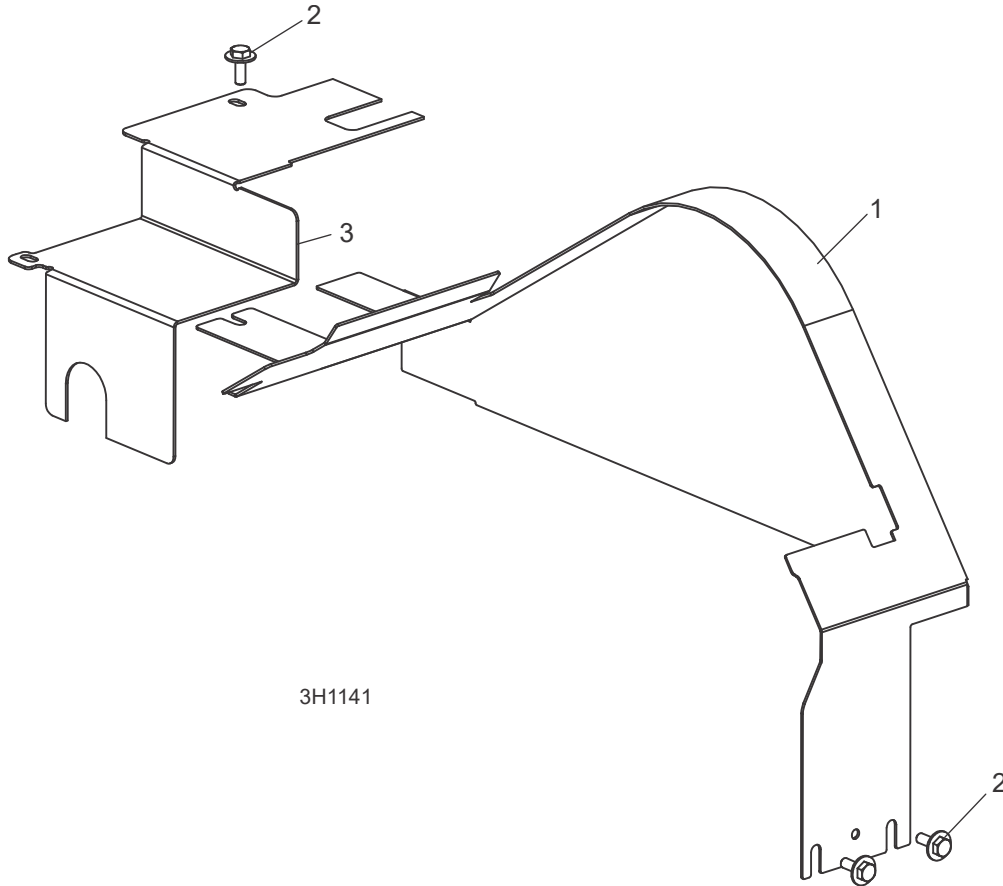
D35

4 Replacement Parts Engine Pulley Guards (D35 Tier2/D47)

4.17 Engine Pulley Guards (D35 Tier2/D47)

LT40
LT40HD
LT40 Super
LT40HD Super
LT50HD

Rev. K4.05+
Rev. K6.05+
Rev. J7.14+
Rev. K3.13+
Rev. A5.13+



REF	DESCRIPTION (◆ Indicates Parts Available In Assemblies Only)	PART #	QTY.	
1	GUARD WELDMENT, YANMAR ENGINE TOP PULLEY	075542	1	
2	BOLT, 1/4-20 X 3/4" HEX HEAD WITH CONICAL WASHER	F05005-134	3	
3	GUARD, SIDE ENGINE PULLEY	016152	1	

D35

Replacement Parts

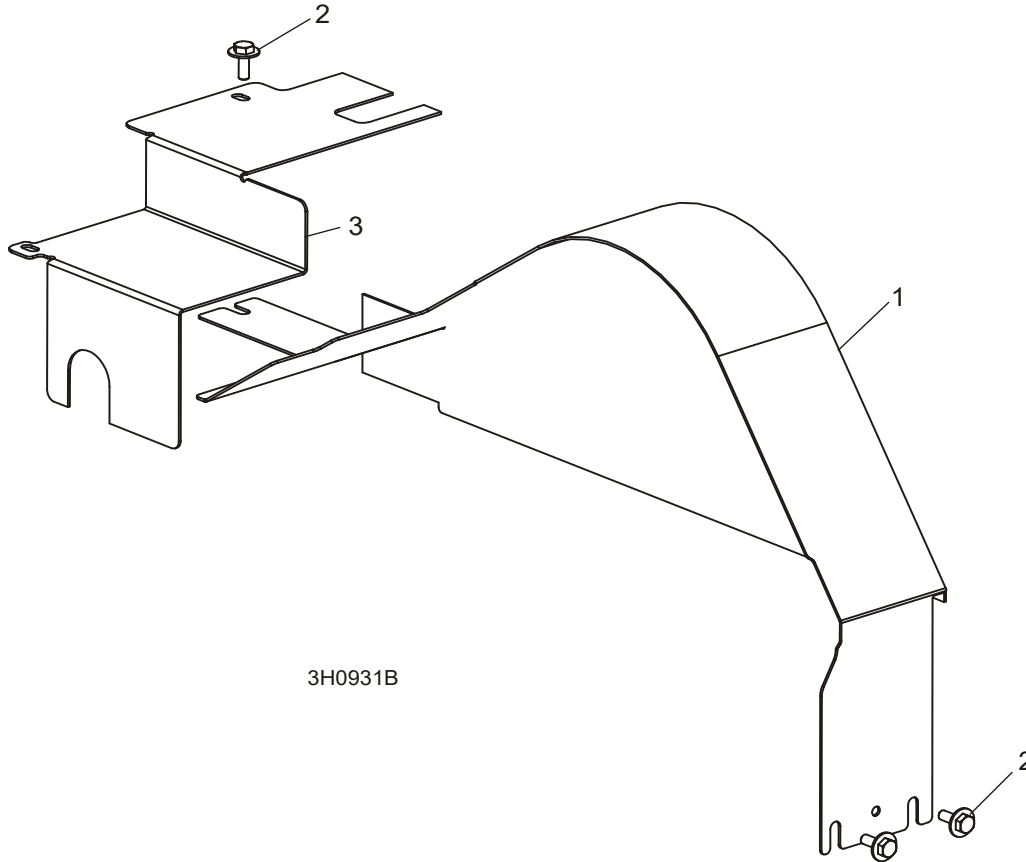
Engine Pulley Guards (D35 Tier2/D47 Only)

4

4.18 Engine Pulley Guards (D35 Tier2/D47 Only)

LT40
LT40HD
LT40 Super
LT40HD Super
LT50HD

Rev. J8.02 - K4.04
Rev. J8.02 - K6.04
Rev. J6.00 - J7.13
Rev. J9.02 - K3.12
Rev. A4.00 - A5.12

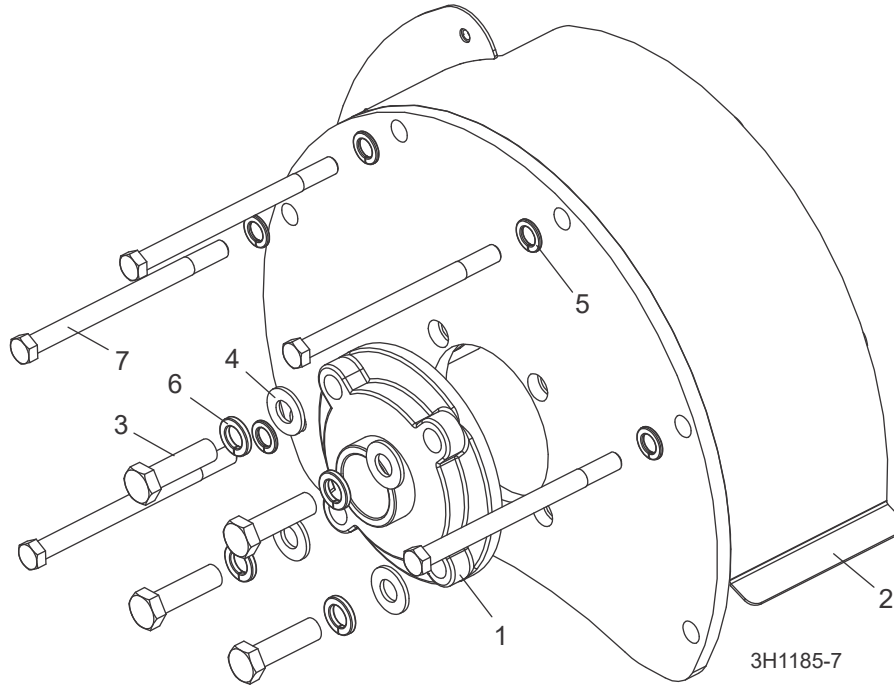


REF	DESCRIPTION (◆ Indicates Parts Available In Assemblies Only)	PART #	QTY.	
1	GUARD WELDMENT, CATERPILLAR ENGINE PULLEY	046560	1	
2	BOLT, 1/4-20 X 3/4" HEX HEAD WITH CONICAL WASHER	F05005-134	3	
3	GUARD, SIDE ENGINE PULLEY	016152	1	

D35

4 Replacement Parts Bearing Support (D35 Tier4 Only)

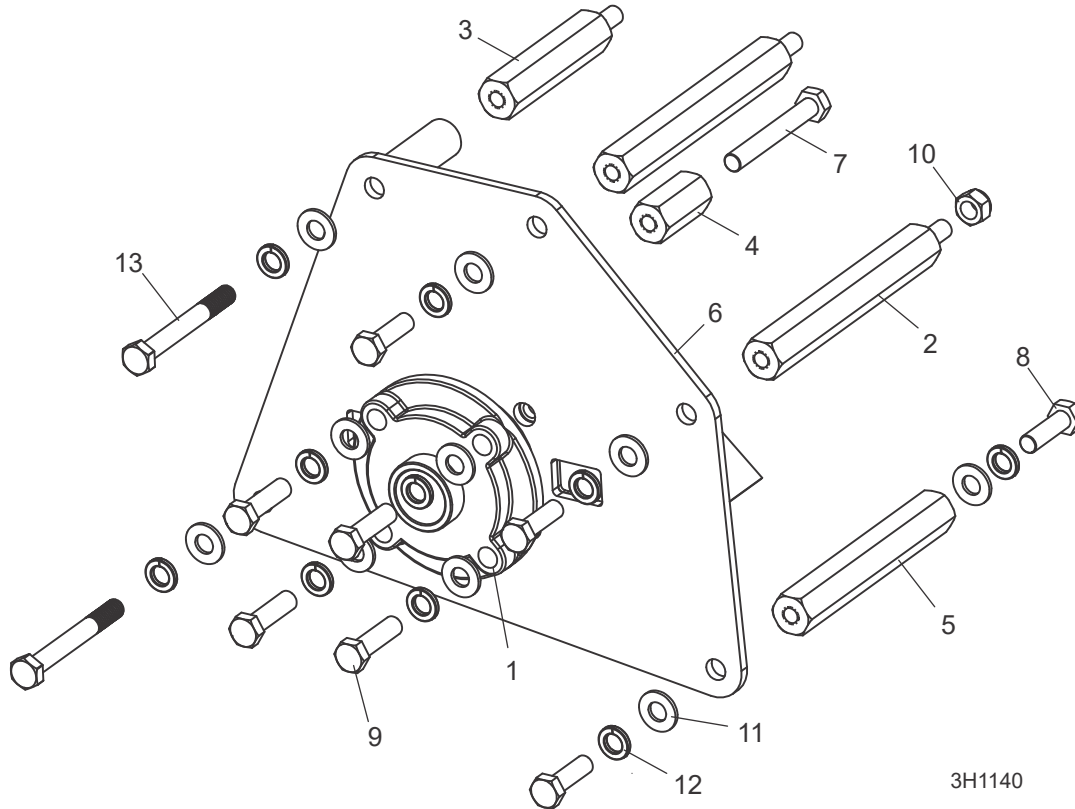
4.19 Bearing Support (D35 Tier4 Only)



REF	DESCRIPTION (◆ Indicates Parts Available In Assemblies Only)	PART #	QTY.	
	SUPPORT ASSEMBLY, D35 T4 FINAL BEARING	079402	1	
1	Bearing, 1-7/16 4-Bolt Flange	071491	1	
2	Support Weldment, D35 T4 Final Bearing	079401	1	
3	Bolt, 1/2-13x1 3/4 Hex Head Grade 5 FT	F05008-88	4	
4	Washer, 1/2 SAE Flat	F05011-2	4	
5	Washer, 10mm Split Lock	F05011-88	5	
6	Washer, 1/2 Split Lock	F05011-9	4	
7	Bolt, M10-1.5x140 Hex Head FT	F05022-21	5	

D35

4.20 Bearing Support (D35 Tier2/D47)



REF	DESCRIPTION (◆ Indicates Parts Available In Assemblies Only)	PART #	QTY.	
	SUPPORT ASSEMBLY, YANMAR BEARING	074226 ¹	1	
1	Bearing, 1-7/16 4-Bolt Flange	071491	1	
2	Spacer, 1 Hex x 7.31	071493	2	
3	Spacer, 1 Hex x 4.38	071499	1	
4	Spacer, 1 Hex x 2.03	075103	1	
5	Spacer, 1 Hex x 6.63	075104	1	
6	Weldment, Yanmar Bearing Support	075538	1	
7	Bolt, M12 x 1.75 x 90mm Hex Head Full Thread CI10.9 Zinc	F05004-249	1	
8	Bolt, M12 x 1.75 x 40mm Hex Head Full Thread CI10.9 Zinc	F05004-250	4	
9	Bolt, 1/2-13 x 1 3/4" Hex Head Grade 5 Full Thread	F05008-88	4	
10	Nut, M12 x 1.75 Hex Nylock Zinc	F05010-209	1	
11	Washer, 1/2" SAE Flat	F05011-2	10	
12	Washer, 1/2" Split Lock	F05011-9	10	
13	Bolt, M12-1.75 x 100 Grade 8.8 Hex Head	F05023-7	2	

¹ Yanmar Bearing Support introduced into production to prevent possible crank failures (1/14). Use 075707 Yanmar Bearing Support Kit to upgrade Yanmar engines supplied prior to 1/14.

D35

4

Replacement Parts

Bearing Support (D35 Tier2/D47)

REF	DESCRIPTION (◆ Indicates Parts Available In Assemblies Only)	PART #	QTY.	
	SUPPORT ASSEMBLY, CAT BEARING LT40/50 (D51)	061131	1	
1	Shaft, Caterpillar Stub Bearing Support	071325	1	
2	Bearing, 1-7/16 4-Bolt Flange	071491	1	
3	Spacer, 1 Hex x 7.31	075533	2	
4	Guard Weldment, Cat Top Pulley	075534	1	
5	Spacer, 1 Hex x 4.31	075754	1	
6	Spacer, 1 Hex x 7.31, w/Stud	075755	1	
7	Weldment, Cat Bearing Support	075757	1	
8	Bolt, 3/8-16x1 1/4 Hex Head Grade 5	F05007-123	3	
9	Bolt, 3/8-16x2 1/2 Hex Head Grade 5	F05007-125	1	
10	Bolt, 3/8-16x4 Hex Head Grade 5	F05007-126	2	
11	Bolt, 3/8-16x1 Hex Head Grade 5	F05007-87	1	
12	Bolt, 1/2-13x1 3/4" Hex Head Grade 5 FT	F05008-88	4	
13	Washer, 1/2" SAE Flat	F05011-2	4	
14	Washer, 3/8" Flat SAE	F05011-3	5	
15	Washer, 3/8" Split Lock	F05011-4	5	
16	Washer, 1/2" Split Lock	F05011-9	4	