

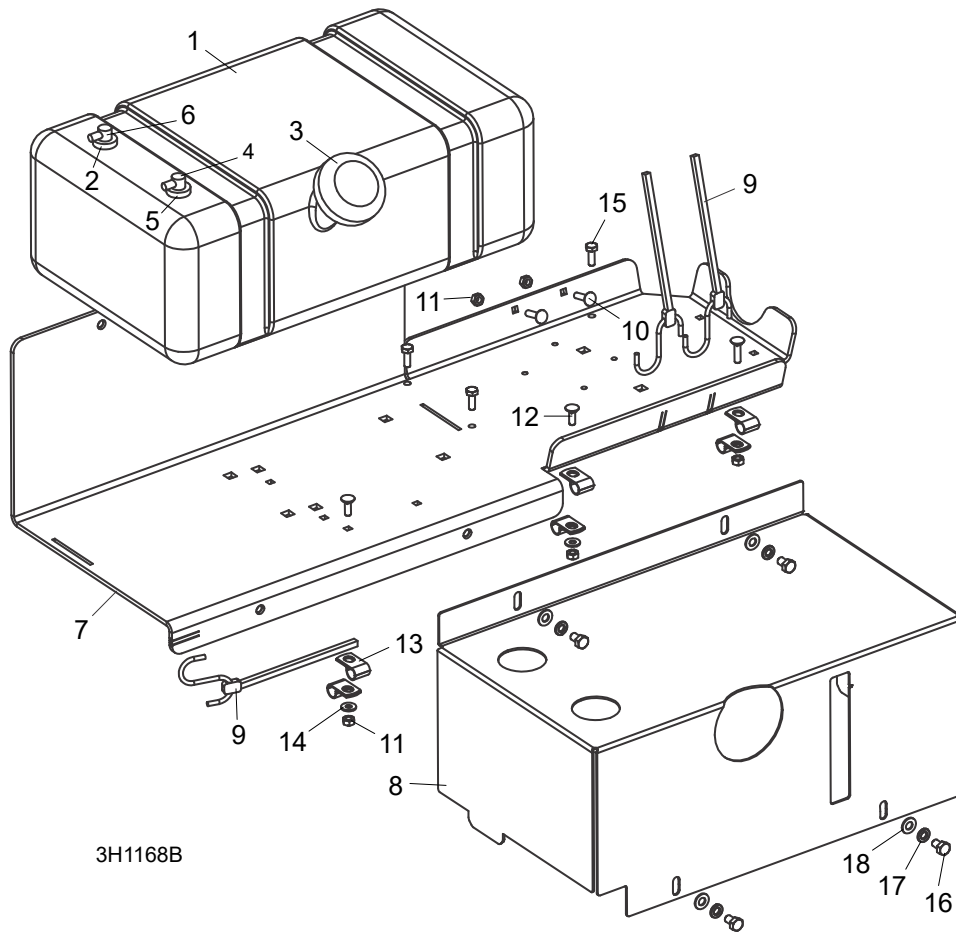
D47

SECTION 4 REPLACEMENT PARTS

4.1 Fuel Tank (D35 Tier2/D47)

LT40
LT40 Super
LT40HD
LT40HD Super
LT50

Rev. K4.09+
Rev. J7.18+
Rev. K6.10+
Rev. K3.18+
Rev. A5.18+



REF	DESCRIPTION (◆ Indicates Parts Available In Assemblies Only)	PART #	QTY.
	TRAY ASSEMBLY, LT40/50 DIESEL TANK	074830	1
1	Tank, 5 Gallon Low Pro Diesel	103928	1
2	Grommet, Shut Off 046881	061250	1
3	Cap, Fuel Tank Diesel 080185BE	061257	1
4	Fitting, Return/tube Diesel 468489	061256	1
5	Grommet, Shut Off 046881	061250	1
6	Fitting, Pick-Up/Tube Diesel 468871A	061255	1
7	Tank Weldment, Fuel LT40/50	103943	1

D47

4

Replacement Parts

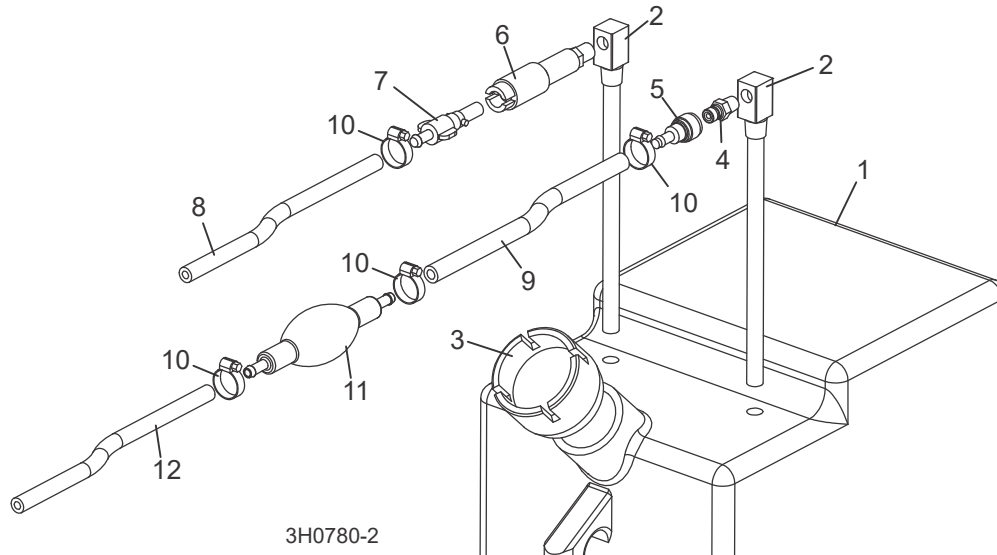
Fuel Tank (D35 Tier2/D47)

8	Cover, Fuel Tank	103867	1	
9	Strap, 20" Rubber	P11668	3	
10	Bolt, 1/4-20 X 1" Carriage Head	F05005-34	3	
11	Nut, 1/4-20 Hex Lock	F05010-21	5	
12	Bolt, 1/4-20 x 3/4" Carriage	F05005-113	2	
13	Clamp, 1/2" EMT Coated	P07584	6	
14	Washer, 1/4" SAE Flat	F05011-11	2	
15	Bolt, 1/4-20 x 3/4" Hex Head Grade 5	F05005-123	3	
16	Bolt, 5/16-18 x 1/2" Hex Head Grade 5	F05006-15	4	
17	Washer, 5/16" Split Lock	F05011-13	4	
18	Washer, 5/16" SAE Flat	F05011-17	4	
	Hose, Fuel 5/16" EPA 15G CARB	R02423-3	7 Ft.	
	Hose, Fuel 1/4" EPA 15G CARB	R02423-2	8 Ft.	

D47

4.2 Fuel Tank (D35/D47)

LT40 Rev. K1.03 - K4.08
LT40 Super Rev. J6.00 - J7.17
LT40HD Rev. K3.01 - K6.09
LT40HD Super Rev. K2.00 - K3.17
LT50 Rev. A3.00 - A5.17

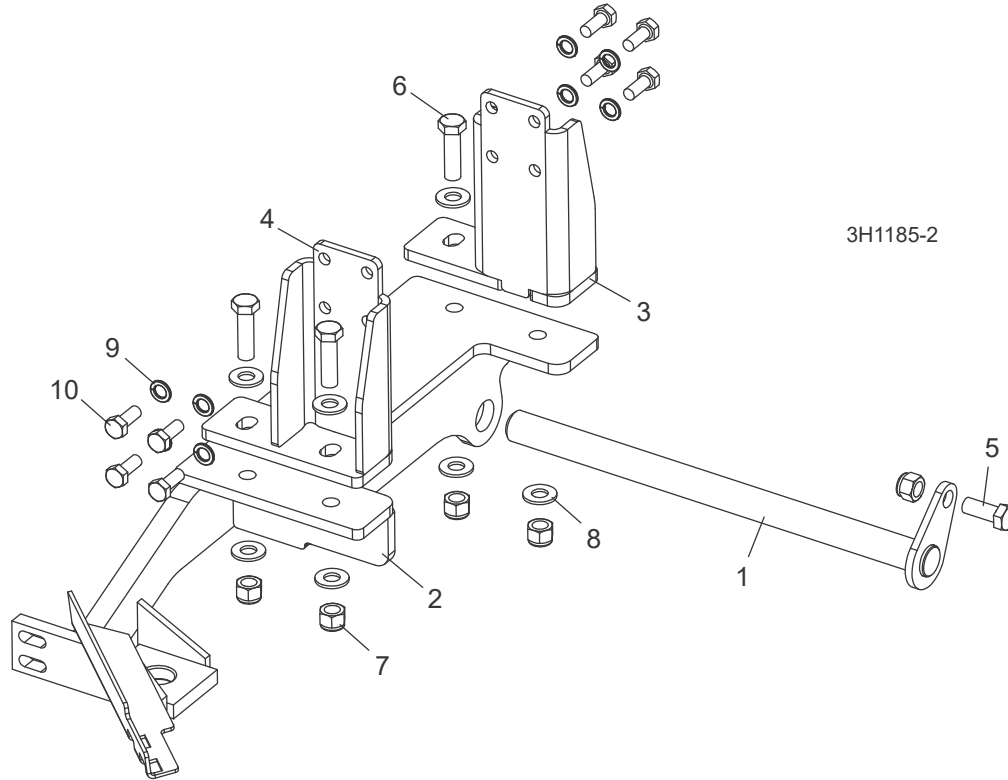


REF	DESCRIPTION (◆ Indicates Parts Available In Assemblies Only)	PART #	QTY.	
	TANK ASSEMBLY, 5 GALLON DIESEL	A12132	1	
1	Tank, 5 Gallon Fuel	P12166	1	◆
2	Pickup, 9" Fuel	P12172	2	
3	Cap, 3/5 Gallon Fuel Tank	P09683	1	
4	Fitting, 1/4" NPT Male Quick Disconnect	015583	1	
5	Fitting, Female Quick Disconnect Barb	015582	1	
6	Fitting, 1/4" NPT Plastic Female Disconnect	P12175	1	
7	Fitting, 1/4" Barb Plastic Male Disconnect	P12176	1	
8	HOSE, 1/4" ID FUEL	P642	7.17 Ft	
9	HOSE, 5/16" ID FUEL	016338	9 Ft.	
10	CLAMP, 7/32 - 1/2 HOSE	P649	4	
11	BULB, 5/16" FUEL LINE PRIMER	006687	1	
	ADDITIVE, DIESEL FUEL 16OZ BOTTLE	004878 ¹	1	
	BULB KIT, DIESEL PRIMER	061080	1	

¹ Stanadyne Performance Formula helps eliminate contaminants and water in fuel, prevents gelling in cold weather, and improves lubrication of fuel system parts. 16 oz. bottle treats 60 gallons of diesel fuel.

4 Replacement Parts Engine Mount Assembly (D35 Tier4)

4.3 Engine Mount Assembly (D35 Tier4)



REF	DESCRIPTION (◆ Indicates Parts Available In Assemblies Only)	PART #	QTY.	
1	PIN WELDMENT, MOTOR PIVOT KUBOTA	015855	1	
2	PIVOT WELDMENT, D35 T4 ENGINE PIVOT	079365	1	
3	MOUNT WELDMENT, D35 T4 LEFT ENGINE MOUNT	079372	1	
4	MOUNT WELDMENT, D35 T4 RIGHT ENGINE MOUNT	079377	1	
5	BOLT, 1/2-13X1 1/4 HEX HEAD GRADE 5	F05008-37	1	
6	BOLT, 1/2-13X1 3/4 HEX HEAD GRADE 5 FT	F05008-88	4	
7	NUT, 1/2-13 NYLON HEX LOCK	F05010-8	5	
8	WASHER, 1/2 SAE FLAT	F05011-2	8	
9	WASHER, 10MM SPLIT LOCK	F05011-88	16	
10	BOLT, M10-1.5X25MM HEX HEAD GRADE 8.8	F81003-11	16	

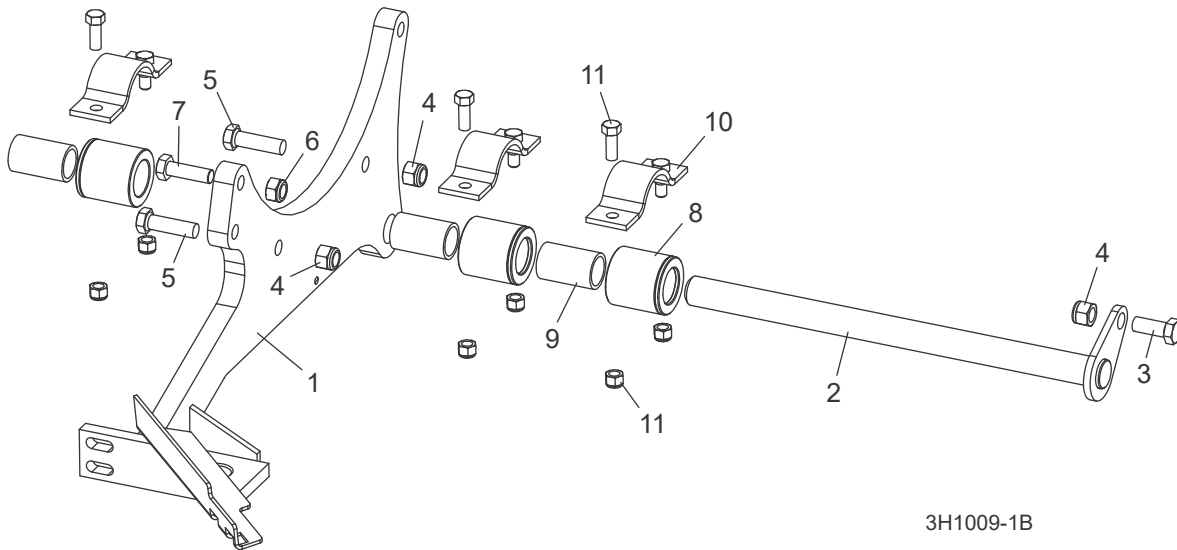
D47

Replacement Parts

Engine Mount Assembly (D35 Tier2/D47)

4

4.4 Engine Mount Assembly (D35 Tier2/D47)

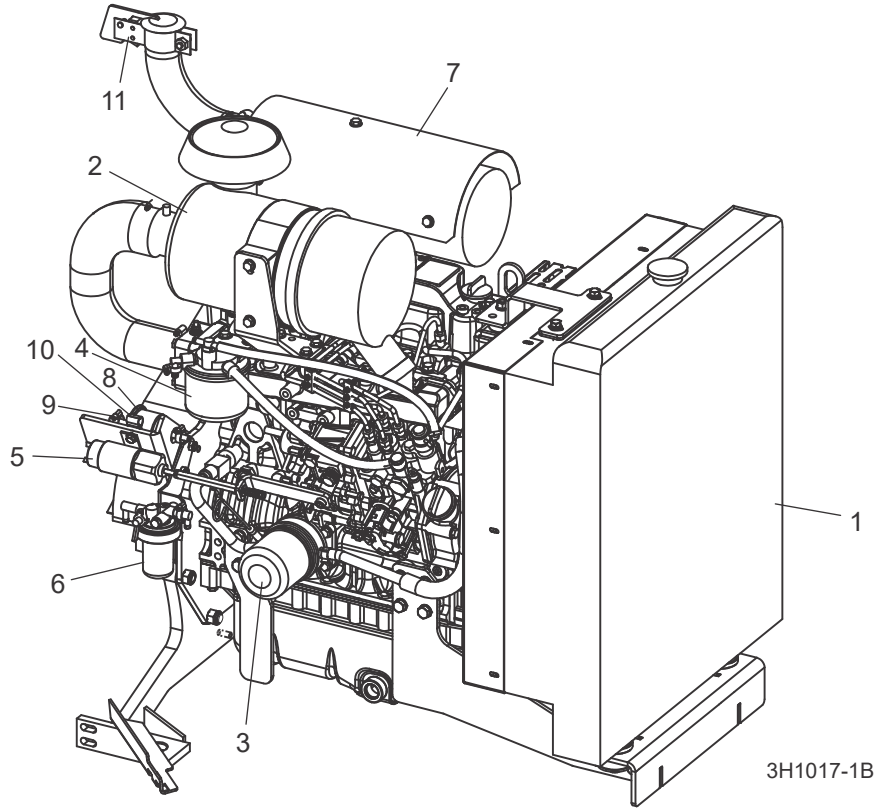


REF	DESCRIPTION (◆ Indicates Parts Available In Assemblies Only)	PART #	QTY.	
1	MOUNT WELDMENT, LT30/40 YANMAR ENGINE	057452	1	
2	PIN WELDMENT, KUBOTA ENGINE MOUNT PIVOT	015855	1	
3	BOLT, 1/2-13 X 1 1/4" HEX HEAD GRADE 5	F05008-37	1	
4	NUT, 1/2-13 HEX NYLON LOCK	F05010-8	3	
5	BOLT, 1/2-13 X 1 3/4" HEX HEAD GRADE 5	F05008-88	2	
6	NUT, M12 X 1.75 HEX NYLON LOCK	F05010-209	1	
7	BOLT, M12 X 1.75 X 90MM HEX HEAD FULL THREAD	F05004-250	1	
	BUSHING ASSEMBLY, MOTOR MOUNT	016380	3	
8	Bushing, 2" OD x 2"	016378	1	◆
9	Bearing, 1" x 1 1/4" x 2"	016379	1	◆
10	CLAMP WELDMENT, MOTOR MOUNT	014540	3	
11	BOLT, 3/8-16 X 1" HEX HEAD	F05007-7	3	
12	NUT, 3/8-16 HEX NYLON LOCK	F05010-10	6	

D47

4 Replacement Parts Engine Assembly

4.5 Engine Assembly



REF	DESCRIPTION (◆ Indicates Parts Available In Assemblies Only)	PART #	QTY.
	COVER, D47/D55 ENGINE	CED47	1
	ENGINE, 47.5HP YANMAR DIESEL	058701	1
	ENGINE, 47.5HP YANMAR DIESEL (TIER2 ENGINE FOR OUTSIDE U.S. ONLY)	074239	1
1	Radiator Parts (See Section 4.8)		
2	Air Cleaner Assembly, 47.5HP Yanmar #KAC-4	058720	1
	Air Filter, Yanmar #129687-12510	061744	1
	Cap, Air Filter Assembly Yanmar	061100	1
3	Filter, Oil #129150-35152	057935	1
4	Filter, Fuel #119802-55800	057933	1
5	Relay/Throttle Solenoid Parts (See Section 4.6)		
6	Filter Assembly, Fuel/Water Separator	040345	1
	Filter, Water Separator Yanmar	061099	1
7	Muffler Assembly, 47.5HP Yanmar #KM-3	058721	1
8	Pump, Yanmar Fuel Feed	061074	1
9	Hose Clamp, 7/32"-5/8"	P649	4
10	Clamp, 1/2" EMT Coated	P07584	1
11	Cap, Yanmar Rain #129087-13530	061073	1
	Drive Parts (See Section 4.7)		

D47

Replacement Parts Engine Assembly

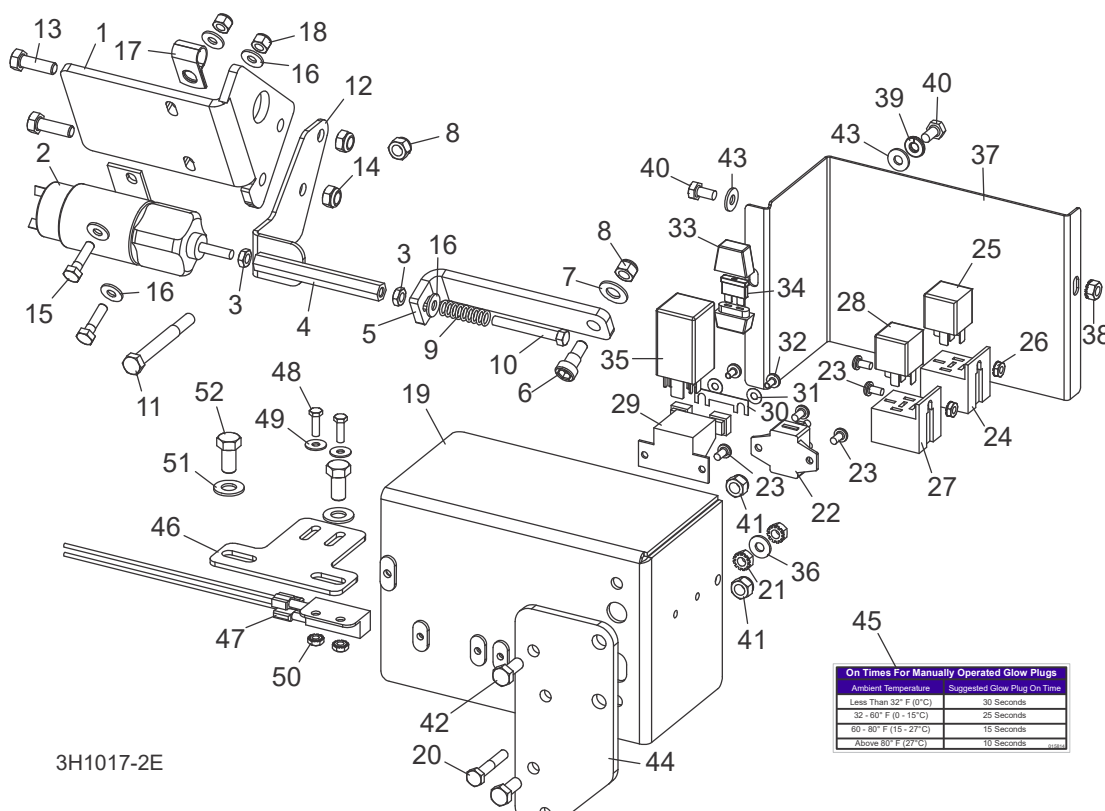
4

Alternator Parts (See Section 4.10)			
Bearing Support Parts (See Section 4.13)			
Engine Mount Parts (See Section 4.4)			
Strainer, Yanmar Fuel	056587	1	
Gasket, Yanmar Bonnet #129601-11310	061752	1	
Seal, Yanmar Front Main #119934-01800	057932	1	
Injector Assembly, Yanmar #729604-53200	057934	1	
Switch, Yanmar Oil Pressure #114250-39450	057936	1	
Seal, Yanmar Rear Main #129120-01780	057057	1	
Starter Motor, Yanmar #129136-77011	061748	1	
Thermostat, Yanmar #129155-49801	057938	1	
Gasket, Yanmar Thermostat #12975-49-551	044652	1	
Pump, Yanmar Water #129001-42001	057939	1	
Gasket, Yanmar Water Pump #129486-42021	057940	1	
Sender, Yanmar Water Temperature #121250-44901	044655	1	
Solenoid, Yanmar Fuel #119653-77950	044656	1	
Diode, Yanmar Solenoid Relay #119643-66900	044657	1	
Timer, Yanmar Air Heater #128300-77920	057941	1	
Gasket, Yanmar Head #129407-01340	061746	1	
Plug, Yanmar Oil Drain #119640-01640	057943	1	
Seal, Yanmar Oil Drain #22190-220002	057944	1	
Plug, Yanmar Glow #129008-77800	057945	1	
Dip Stick, Yanmar Oil #129004-34802	057946	1	
Belt, Yanmar Fan #25132-003600	044668	1	
Pipe, Yanmar Fuel Return #129004-49610	057947	1	
Spring, Governor Yanmar #129573-61700	061053	1	
Alternator, Yanmar Supplied 3TVN70-ASA	044641	1	
Heater, Yanmar Engine Block #171015-77900	061078	1	
Cable, Heater Engine Block D35/D47	061226	1	
Seal, Rear Engine 129795-01780	061311	1	

D47

4 Replacement Parts Relay/Throttle Assembly (D47)

4.6 Relay/Throttle Assembly (D47)



REF	DESCRIPTION (◆ Indicates Parts Available In Assemblies Only)	PART #	QTY.
	PUMP ASSEMBLY, 47HP THROTTLE/FUEL	074235	1
1	Plate, Yanmar Throttle Solenoid Mount	006566	1
2	Solenoid Kit, Throttle, Yanmar/Cat	074475	1
	Instruction Sheet, Solenoid Adjustment	074475-2058	1
3	Nut, 1/4-28 Hex Jam	F05010-113	2
4	Link, Throttle Actuator	045850	1
5	Plate, Long Throttle Connecting	006568	1
6	Bolt, 3/8" X 5/16-18" Socket Head Shoulder	F05007-159	1
7	Washer, 3/8" SAE Flat	F05011-3	1
8	Nut, 5/16-18 Hex Nylon Lock	F05010-58	2
9	Spring, .42" x 1.34" x .061"	P11644	1
10	Bolt, 1/4-28 x 2" Hex Head Grade 5	F05005-188	1
11	Bolt, 5/16-18 x 3" Hex Head Grade 5	F05006-62	1
12	Bracket, Fuel/Water Separator Mount	006561	1
13	Bolt, M8-1.25 x 1mm Hex Head	F05004-40	2
14	Nut, M8 Hex Nylon Lock	F05010-132	2
15	Bolt, 1/4-20 x 1" Hex Head Grade 5	F05005-101	2
16	Washer, 1/4" Sae Flat	F05011-11	5

D47

Replacement Parts Relay/Throttle Assembly (D47)

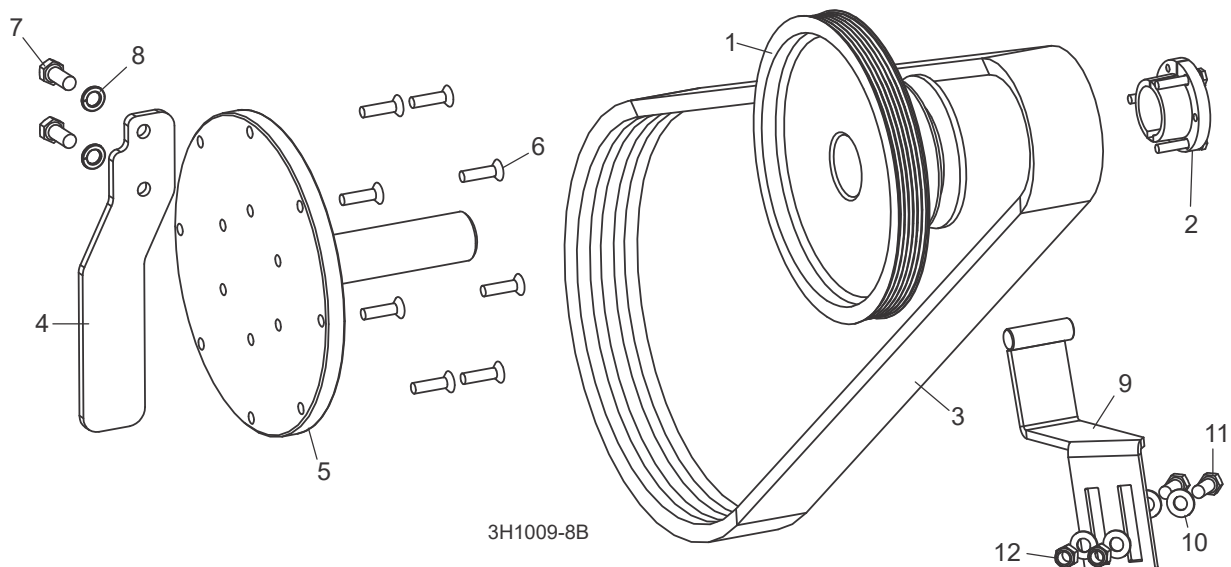
4

17	Clamp, 1/2" EMT Coated	P07584	1	
18	Nut, 1/4-20 Hex Nylon Lock	F05010-69	2	
	RELAY ASSEMBLY, YANMAR W/COVER	074232	1	
	Bracket Assembly, Yanmar Relay (2012)	069625	1	
19	Bracket Weldment, Glow Plug Relay Mount	036269	1	
20	Bolt, 1/4-20 x 1 1/2" Hex Head Full Thread	F05005-31	1	
21	Nut, 1/4-20 Self-Locking Hex	F05010-9	2	
22	Breaker, 15A Manual Reset Circuit	E20430	1	
23	Screw, #10-24 x 3/8" Phillips Head	F05004-3	6	
	Relay Assembly, Yanmar Throttle (2008)	053234	1	
24	Socket, Relay Plug	050033	1	
25	Relay, ISO 12V Coil w/Diode	051335	1	
26	Nut, #10-24 Hex	F05010-14	2	
	Relay Assembly, Yanmar Starter (2008)	053233	1	
27	Socket, Relay Plug	050033	1	
28	Relay, ISO 12V Coil w/Diode	051335	1	
	Relay Assembly, Yanmar Glow Plug (2012)	069624	1	
29	Socket, Glow Plug Relay w/Fuse Holder	024554	1	
30	Fuse Link, 50 Amp	024597	1	
31	Washer, M5 Wave	F81052-4	2	
32	Screw, M5-0.8 x 8mm Phillips Head Black Oxide	F81000-14	2	
33	Fuseholder, In-Line 3-20A ATC w/Cover	024555	1	
34	Fuse, 4A ATO Blade (Pink)	024150-4	1	
	Resistor Assembly, 3K Cat Glow Plug Wire	052662	1	
35	Relay, Diesel Glow Plug	023359	1	
36	Washer, 1/4" SAE Flat	F05011-11	1	
37	Cover, Relay Assembly	045824	1	
38	Nut, 1/4-20 Self-Locking Hex	F05010-9	1	
39	Washer, 1/4" Split Lock	F05011-14	1	
40	Bolt, 1/4-20 X 1/2" Hex Head	F05005-15	2	
41	Nut, 5/16-18 Hex Nylon Lock	F05010-58	2	
42	Bolt, 5/16-18 x 3/4" Hex Head	F05006-5	2	
43	Washer, 1/4" SAE Flat	F05011-11	2	
44	PLATE, GLOW PLUG RELAY MOUNT ADAPTOR	006523	1	
45	DECAL, GLOW PLUG OPERATION	015814	1	
46	BRACKET, SENSOR MOUNT	016617	1	
47	SENSOR, CATERPILLAR THROTTLE	051436	1	
48	BOLT, #10-24 X 5/8" HEX HEAD	F05004-18	2	
49	WASHER, #10 SAE FLAT	F05011-18	2	
50	NUT, #10-24 SELF-LOCKING HEX	F05010-14	2	
51	WASHER, 3/8" SAE FLAT	F05011-3	2	
52	BOLT, 3/8-16 X 3/4" HEX HEAD	F05007-27	2	

D47

4 Replacement Parts Drive Assembly (D47)

4.7 Drive Assembly (D47)

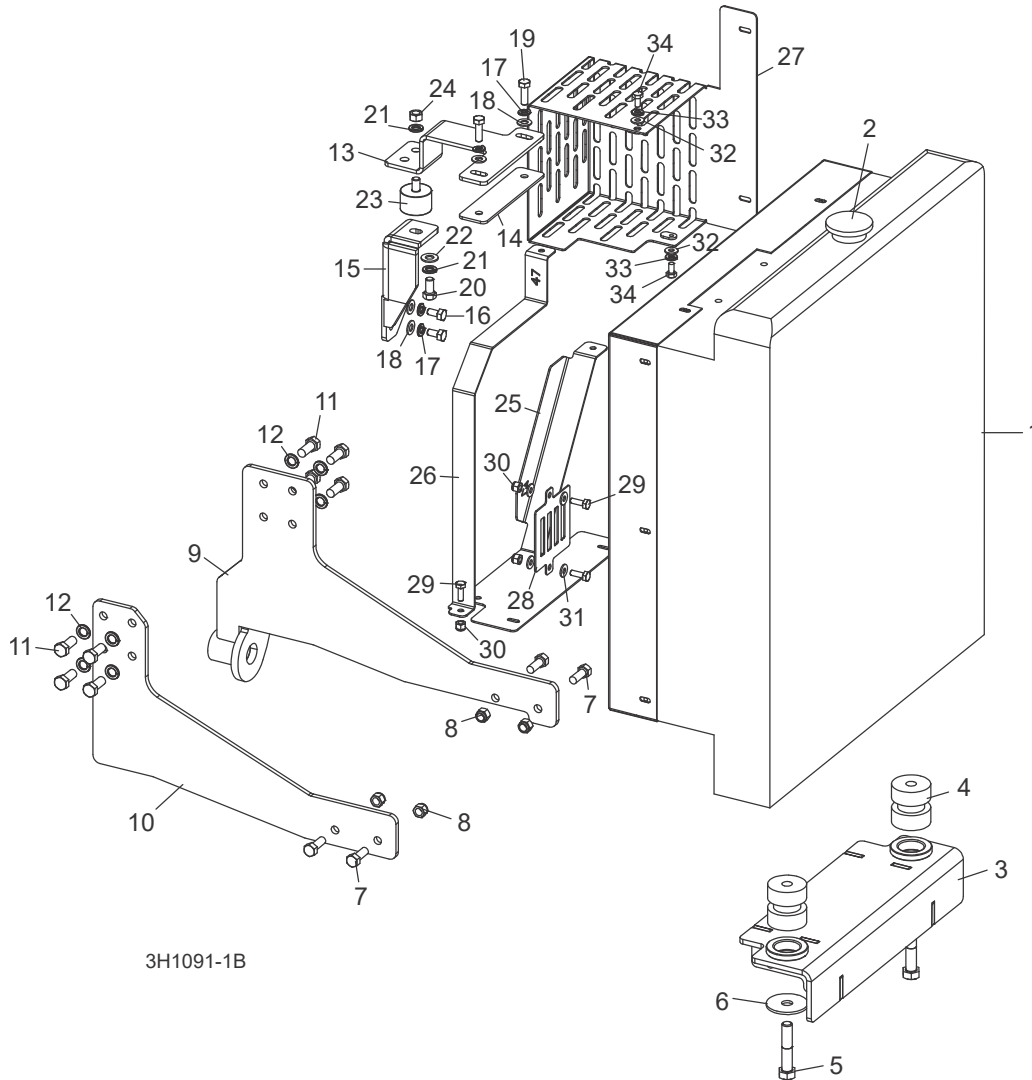


REF	DESCRIPTION (◆ Indicates Parts Available In Assemblies Only)	PART #	QTY.
1	SHEAVE, 5V X 4.46" POLY V (GAS/DIESEL)	016533	1
2	BUSHING, SH X 1 7/16"	016535	1
3	BELT, 3/5VFL765 KEVLAR	110268	1
4	PLATE, YANMAR ENGINE STOP	006620	1
5	SHAFT, YANMAR LARGE DRIVE STUB (LONG)	071326	1
6	BOLT, M8-1.25 X 30MM FLAT SOCKET HEAD	F05004-245	8
7	BOLT, M10-1.5 X 25MM HEAD HEAD GRADE 8.8	F81003-11	2
8	WASHER, 10MM SPLIT LOCK	F05011-88	2
9	BRACKET, DRIVE BELT SUPPORT	016364	1
10	WASHER, 3/8" SAE FLAT	F05011-3	4
11	BOLT, 3/8-16 X 1" HEX HEAD	F05007-7	2
12	NUT, 3/8-16 HEX NYLON LOCK	F05010-10	2

D47

4.8 Radiator Assembly (D47)

D47 w/Kokusan Denki Alternator after 11/12/10



REF	DESCRIPTION (◆ Indicates Parts Available In Assemblies Only)	PART #	QTY.
1	RADIATOR, DIESEL ENGINES #KR9	006517	1
2	Cap, Yanmar Radiator #129987-44570	044660	1
	COOLANT OVERFLOW, YANMAR #129689-44000	061087	1
	MOUNT ASSEMBLY, YANMAR LOWER RADIATOR	074229	1
3	Mount Weldment, Yanmar Radiator	006530	1
4	Bushing, Rubber Mount	018734	2
5	Bolt, 1/2-13 x 2 1/2" Hex Head Grade 5	F05008-74	2
6	Washer, Engine Mount	018751	2
7	Bolt, 3/8-16 x 1" Hex Head	F05007-7	4
8	Nut, 3/8-16 Hex Nylon Lock	F05010-10	4

D47

4

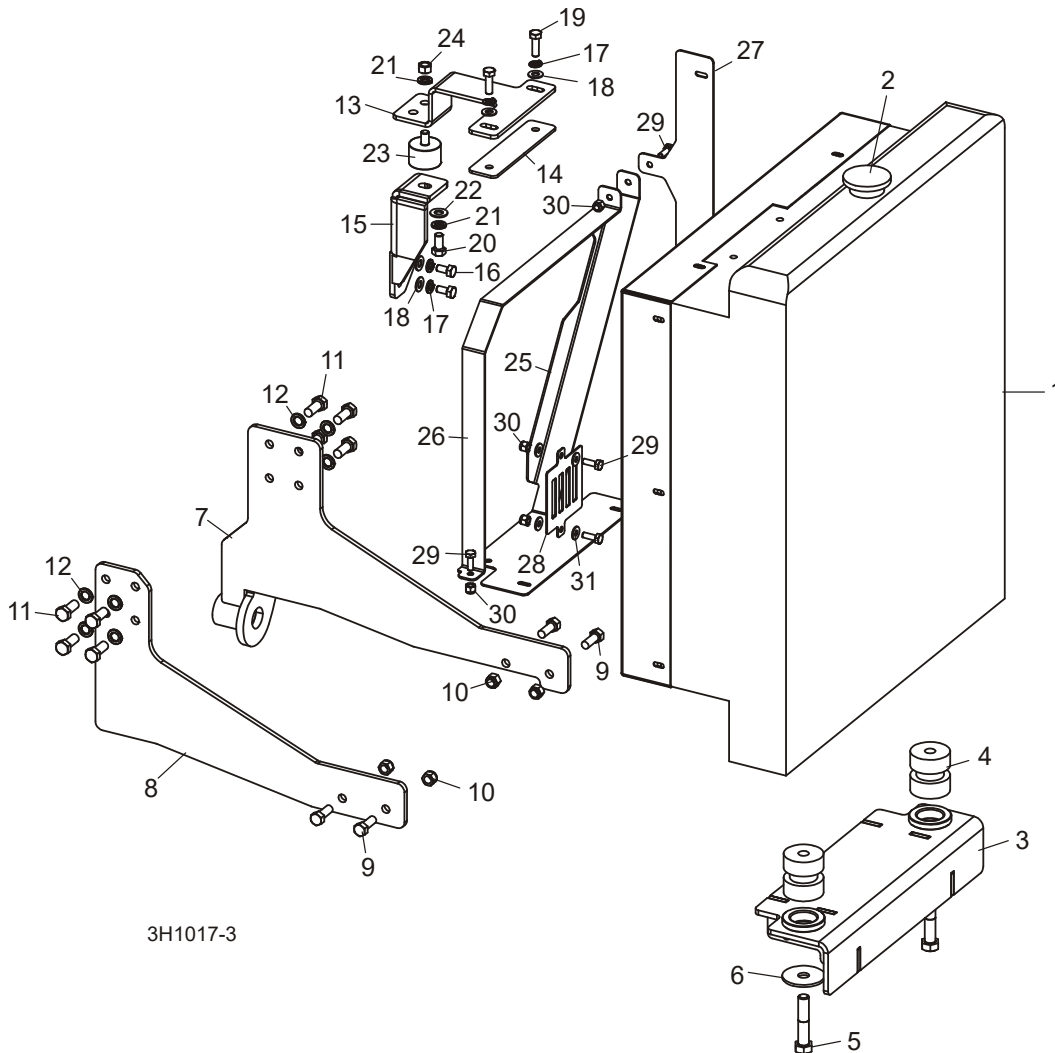
Replacement Parts *Radiator Assembly (D47)*

9	MOUNT WELDMENT, YANMAR FRONT	057455	1	
10	PLATE, YANMAR FRONT ENGINE MOUNT	006714	1	
11	BOLT, M10-1.5 X 25MM HEX HEAD GRADE 8.8	F81003-11	8	
12	WASHER, 10MM SPLIT LOCK	F05011-88	8	
13	PLATE, YANMAR TOP RADIATOR SUPPORT	006713	1	
14	PLATE, TOP RADIATOR MOUNT SPACER	006557	1	
15	PLATE, YANMAR TOP RADIATOR MOUNT	006558	1	
16	BOLT, M8 X 125 X 16MM HEX HEAD	F05004-47	2	
17	WASHER, 8MM SPLIT LOCK	F05011-45	4	
18	WASHER, 5/16" SAE FLAT	F05011-17	4	
19	BOLT, M8 X 1.25 X 1 HEX HEAD FULL THREAD	F05004-40	2	
20	BOLT, 3/8-16 X 3/4" HEX HEAD GRADE 2	F05007-27	1	
21	WASHER, 3/8" SPLIT LOCK	F05011-4	2	
22	WASHER, 3/8" SAE FLAT	F05011-3	1	
23	BUSHING, RUBBER RADIATOR MOUNT	028217	1	
24	NUT, 3/8-16 HEX	F05010-1	1	
25	PLATE, RADIATOR LOWER COVER (2010)	025948	1	
26	PLATE, RADIATOR SIDE GUARD (2010)	025949	1	
27	GUARD WELDMENT, RADIATOR WRAP (2010)	065157	1	
	COVER ASSEMBLY, KR9 RADIATOR CUTOUT	074231	1	
28	Plate, Radiator Cutout Cover	006769	1	
29	Bolt, 1/4-20 x 3/4" hex head Full thread	F05005-1	2	
30	Nut, 1/4-20 Hex Nylon Lock	F05010-69	2	
31	Washer, 1/4" SAE Flat	F05011-11	4	
32	WASHER, 1/4" SAE FLAT	F05011-11	2	
33	WASHER, 1/4" SPLIT LOCK	F05011-14	2	
34	BOLT, 1/4-20 X 1/2" HEX HEAD	F05005-15	2	

D47

4.9 Radiator Assembly (D47)

D47 w/Denso Alternator prior to 11/12/10



REF	DESCRIPTION (◆ Indicates Parts Available In Assemblies Only)	PART #	QTY.
1	RADIATOR, DIESEL ENGINES #KR9	006517	1
2	Cap, Yanmar Radiator #129987-44570	044660	1
3	MOUNT WELDMENT, YANMAR RADIATOR	006530	1
4	BUSHING, RUBBER MOUNT	018734	2
5	BOLT, 1/2-13 X 2 1/2" HEX HEAD GRADE 5	F05008-74	2
6	WASHER, ENGINE MOUNT	018751	2
7	MOUNT WELDMENT, YANMAR FRONT	057455	1
8	PLATE, YANMAR FRONT ENGINE MOUNT	006714	1
9	BOLT, 3/8-16 X 1" HEX HEAD	F05007-7	4
10	NUT, 3/8-16 HEX NYLON LOCK	F05010-10	4

D47

4

Replacement Parts Radiator Assembly (D47)

11	BOLT, M10-1.5 X 25MM HEX HEAD GRADE 8.8	F81003-11	8	
12	WASHER, 10MM SPLIT LOCK	F05011-88	8	
13	PLATE, YANMAR TOP RADIATOR SUPPORT	006713	1	
14	PLATE, TOP RADIATOR MOUNT SPACER	006557	1	
15	PLATE, YANMAR TOP RADIATOR MOUNT	006558	1	
16	BOLT, M8 X 125 X 16MM HEX HEAD	F05004-47	2	
17	WASHER, 8MM SPLIT LOCK	F05011-45	4	
18	WASHER, 5/16" SAE FLAT	F05011-17	4	
19	BOLT, M8 X 1.25 X 1 HEX HEAD FULL THREAD	F05004-40	2	
20	BOLT, 3/8-16 X 3/4" HEX HEAD GRADE 2	F05007-27	1	
21	WASHER, 3/8" SPLIT LOCK	F05011-4	2	
22	WASHER, 3/8" SAE FLAT	F05011-3	1	
23	BUSHING, RUBBER RADIATOR MOUNT	028217	1	
24	NUT, 3/8-16 HEX	F05010-1	1	
25	PLATE, RADIATOR LOWER COVER	006730 ¹	1	
26	PLATE, RADIATOR GUARD WRAP	006731 ¹	1	
27	PLATE, RADIATOR SIDE GUARD	006732 ¹	1	
28	PLATE, RADIATOR CUTOUT COVER	006769	1	
29	BOLT, 1/4-20 X 3/4" HEX HEAD FULL THREAD	F05005-1	4	
30	NUT, 1/4-20 HEX NYLON LOCK	F05010-69	4	
31	WASHER, 1/4" SAE FLAT	F05011-11	4	

¹ Guarding modified for new engine-supplied alternator 11/12/10 ([See Section 4.9](#)).

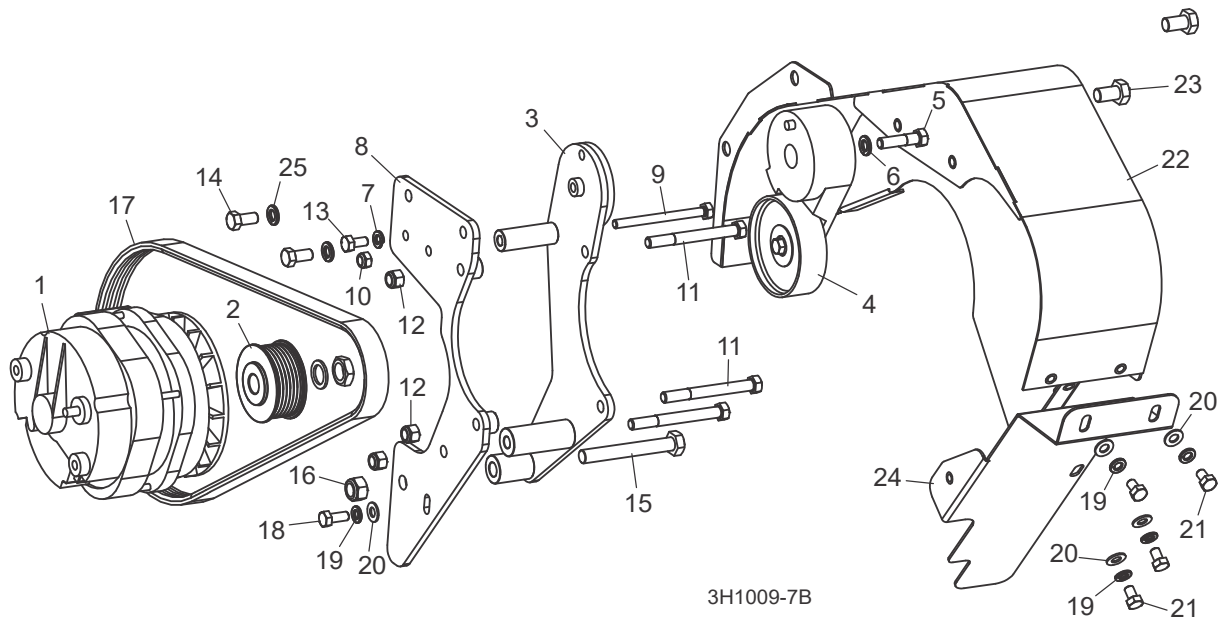
D47

Replacement Parts

Alternator Assembly (D35 Tier2/D47)

4

4.10 Alternator Assembly (D35 Tier2/D47)



REF	DESCRIPTION (◆ Indicates Parts Available In Assemblies Only)	PART #	QTY.
	Wire Assembly, Starter to Alternator	024308	1
	Wire Assembly, Engine to Alternator Ground	050941	1
	Alternator Assembly, Yanmar	074234	1
	Alternator Assembly, 140 Amp	046429	1 ◆
1	Alternator, 140 Amp	023695	1
2	Pulley, 2 3/4" Dia. Alternator	046402	1
3	Mount Weldment, Yanmar ALternator TEnsiomer	057493	1
4	Tensioner, Alternator Belt	034464	1
5	Bolt, 3/8-16 x 1 1/2" Hex Head Grade 5	F05007-78	1
6	Washer, 3/8" Split Lock	F05011-4	1
7	Washer, 8mm Split Lock	F05011-45	1
8	Mount Weldment, Yanmar ALternator	058708	1
9	Bolt, M8 x 1.25 x 90mm Hex Head Full THread	F05004-247	1
10	Nut, M8 Hex Nylon Lock	F05010-132	1
11	Bolt, 3/8-16 x 3 1/2" Hex Head Grade 5	F05004-123	3
12	Nut, 3/8-16 Hex Nylon Lock	F05010-10	3
13	Bolt, M8 x 125 x 16mm Hex Head	F05004-47	1
14	Bolt, 3/8-16 x 3/4" Hex Head Grade 2	F05007-27	2
15	Bolt, M12 x 1.75 x 90mm Hex Head Full THread	F05004-249	1
16	Nut, M12 x 1.75 Hex Nylon Lock	F05010-209	1
17	Belt, 6PK1145	006524	1
	Cover Assembly, Yanmar Alternator	074233	1
18	Bolt, 5/16-18 x 3/4" Hex Head	F05006-5	1

D47

4

Replacement Parts

Alternator Assembly (D35 Tier2/D47)

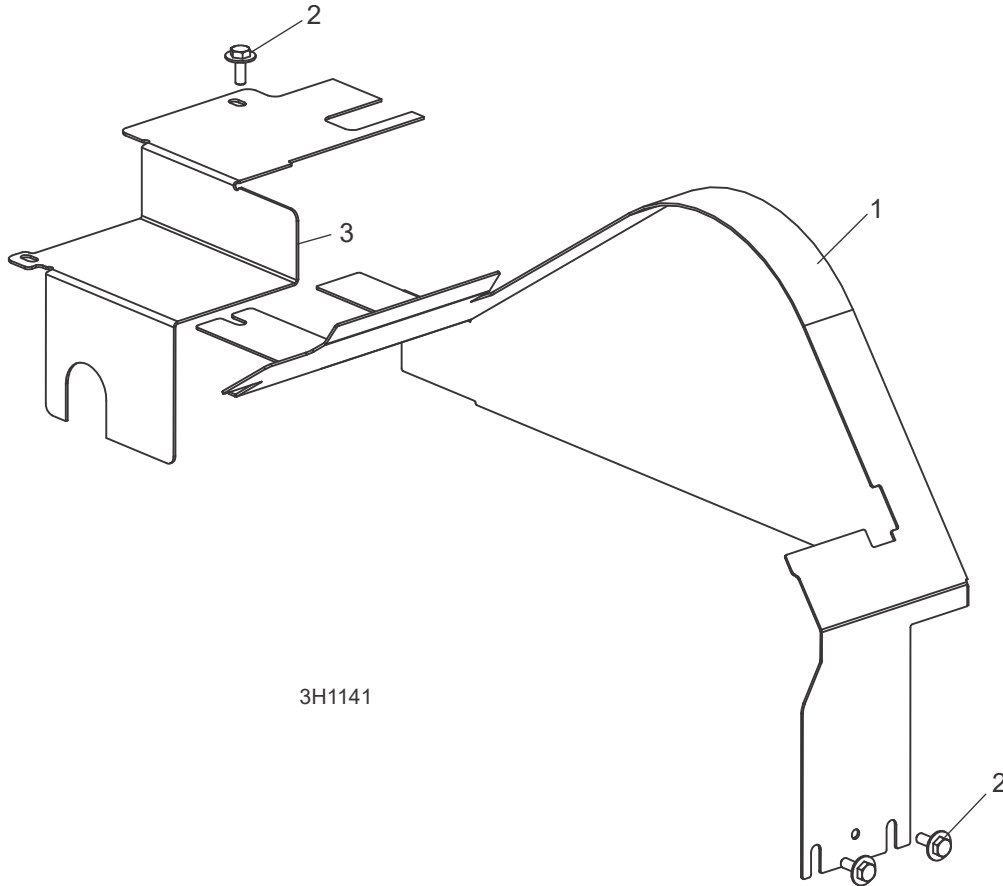
19	Washer, 5/16 Split Lock	F05011-13	5	
20	Washer, 5/16 SAE Flat	F05011-17	5	
21	Bolt, 5/16-18 x 1/2" Hex Head Grade 5	F05006-15	4	
22	Cover Weldment, Yanmar ALternator	058704	1	
23	Bolt, 3/8-16 x 3/4" Hex Head Grade 2	F05007-27	2	
24	Cover Weldment, Lower Yanmar Alternator	058712	1	
25	Washer, 3/8" Split Lock	F05011-4	2	

D47

4.11 Engine Pulley Guards (D35 Tier2/D47)

LT40
LT40HD
LT40 Super
LT40HD Super
LT50HD

Rev. K4.05+
Rev. K6.05+
Rev. J7.14+
Rev. K3.13+
Rev. A5.13+

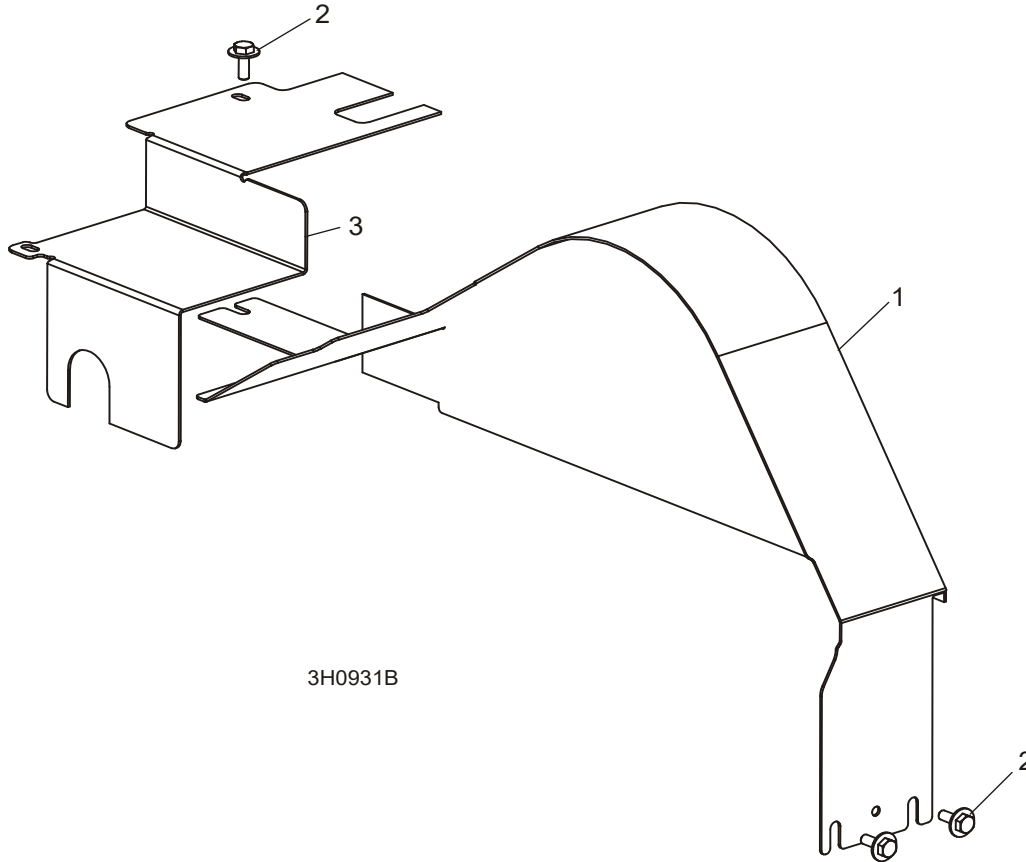


REF	DESCRIPTION (◆ Indicates Parts Available In Assemblies Only)	PART #	QTY.	
1	GUARD WELDMENT, YANMAR ENGINE TOP PULLEY	075542	1	
2	BOLT, 1/4-20 X 3/4" HEX HEAD WITH CONICAL WASHER	F05005-134	3	
3	GUARD, SIDE ENGINE PULLEY	016152	1	

4 Replacement Parts Engine Pulley Guards (D35 Tier2/D47 Only)

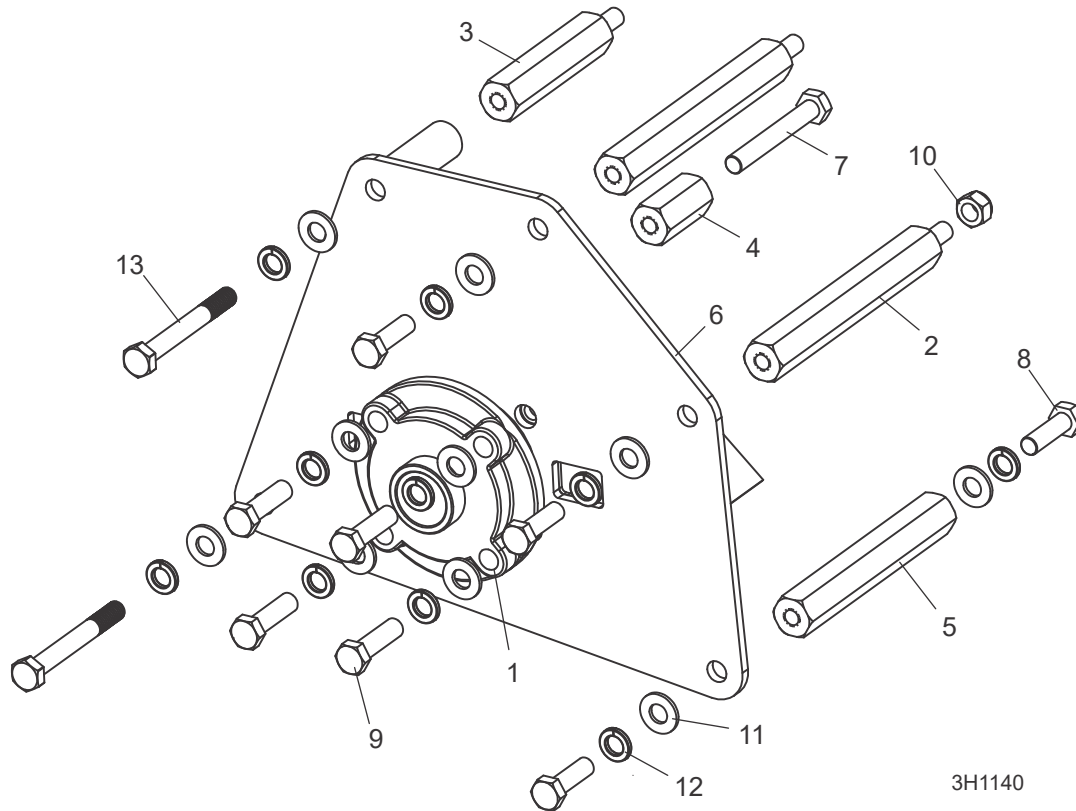
4.12 Engine Pulley Guards (D35 Tier2/D47 Only)

LT40 Rev. J8.02 - K4.04
LT40HD Rev. J8.02 - K6.04
LT40 Super Rev. J6.00 - J7.13
LT40HD Super Rev. J9.02 - K3.12
LT50HD Rev. A4.00 - A5.12



REF	DESCRIPTION (◆ Indicates Parts Available In Assemblies Only)	PART #	QTY.	
1	GUARD WELDMENT, CATERPILLAR ENGINE PULLEY	046560	1	
2	BOLT, 1/4-20 X 3/4" HEX HEAD WITH CONICAL WASHER	F05005-134	3	
3	GUARD, SIDE ENGINE PULLEY	016152	1	

4.13 Bearing Support (D35 Tier2/D47)



REF	DESCRIPTION (◆ Indicates Parts Available In Assemblies Only)	PART #	QTY.
	SUPPORT ASSEMBLY, YANMAR BEARING	074226 ¹	1
1	Bearing, 1-7/16 4-Bolt Flange	071491	1
2	Spacer, 1 Hex x 7.31	071493	2
3	Spacer, 1 Hex x 4.38	071499	1
4	Spacer, 1 Hex x 2.03	075103	1
5	Spacer, 1 Hex x 6.63	075104	1
6	Weldment, Yanmar Bearing Support	075538	1
7	Bolt, M12 x 1.75 x 90mm Hex Head Full Thread Cl10.9 Zinc	F05004-249	1
8	Bolt, M12 x 1.75 x 40mm Hex Head Full Thread Cl10.9 Zinc	F05004-250	4
9	Bolt, 1/2-13 x 1 3/4" Hex Head Grade 5 Full Thread	F05008-88	4
10	Nut, M12 x 1.75 Hex Nylock Zinc	F05010-209	1
11	Washer, 1/2" SAE Flat	F05011-2	10
12	Washer, 1/2" Split Lock	F05011-9	10
13	Bolt, M12-1.75 x 100 Grade 8.8 Hex Head	F05023-7	2

¹ Yanmar Bearing Support introduced into production to prevent possible crank failures (1/14). Use 075707 Yanmar Bearing Support Kit to upgrade Yanmar engines supplied prior to 1/14.

D47

4**Replacement Parts***Bearing Support (D35 Tier2/D47)*

REF	DESCRIPTION (◆ Indicates Parts Available In Assemblies Only)	PART #	QTY.	
	SUPPORT ASSEMBLY, CAT BEARING LT40/50 (D51)	061131	1	
1	Shaft, Caterpillar Stub Bearing Support	071325	1	
2	Bearing, 1-7/16 4-Bolt Flange	071491	1	
3	Spacer, 1 Hex x 7.31	075533	2	
4	Guard Weldment, Cat Top Pulley	075534	1	
5	Spacer, 1 Hex x 4.31	075754	1	
6	Spacer, 1 Hex x7.31, w/Stud	075755	1	
7	Weldment, Cat Bearing Support	075757	1	
8	Bolt, 3/8-16x1 1/4 Hex Head Grade 5	F05007-123	3	
9	Bolt, 3/8-16x2 1/2 Hex Head Grade 5	F05007-125	1	
10	Bolt, 3/8-16x4 Hex Head Grade 5	F05007-126	2	
11	Bolt, 3/8-16x1 Hex Head Grade 5	F05007-87	1	
12	Bolt, 1/2-13x1 3/4" Hex Head Grade 5 FT	F05008-88	4	
13	Washer, 1/2" SAE Flat	F05011-2	4	
14	Washer, 3/8" Flat SAE	F05011-3	5	
15	Washer, 3/8" Split Lock	F05011-4	5	
16	Washer, 1/2" Split Lock	F05011-9	4	