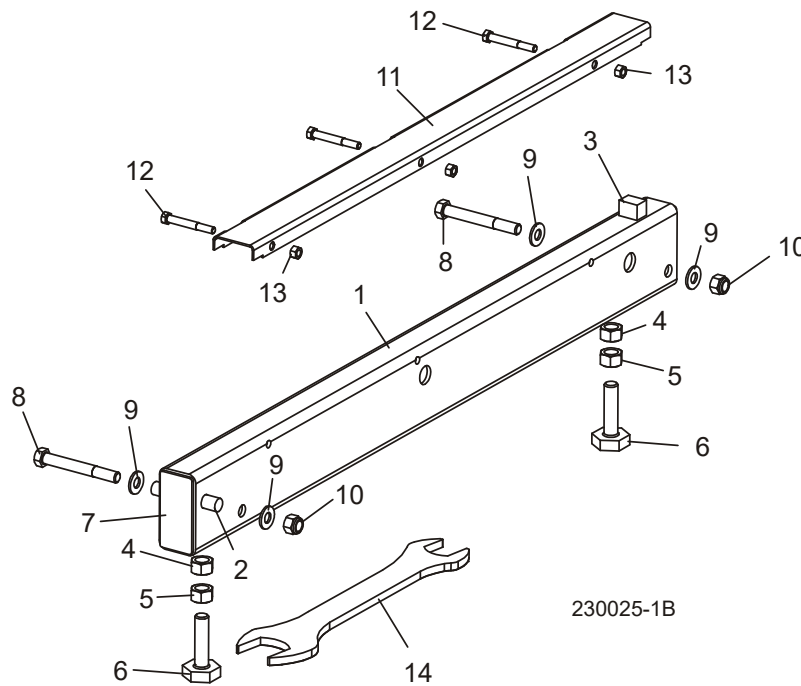


SECTION 5 BED EXTENSION PARTS

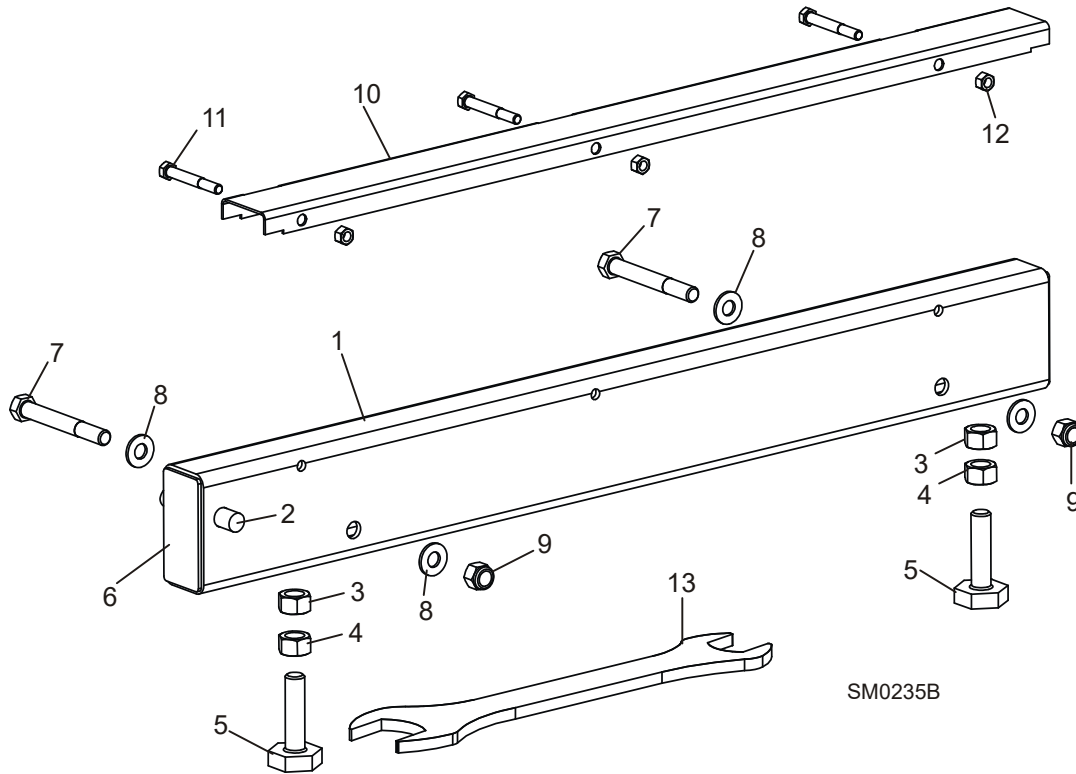
5.1 Bed Rail Assembly, Front And Rear



REF	DESCRIPTION (◆ Indicates Parts Available In Assemblies Only)	PART #	QTY.	
	BED RAIL ASSEMBLY	A09774	2	
1	Bed Rail Tube, Long	S09102	1	◆
2	Pin, Ramp Mount	S04030	1	
3	Block, Log Stop	S09034	1	
4	Nut, 5/8-11 Square Pilot Weld	F05010-187	2	
5	Nut, 5/8-11 Hex	F05010-54	2	
6	Bolt, Bed Rail Adjustment	S13006	1	
7	Plate, Bed Rail End Cap	S04058	1	
8	BOLT, 1/2-13 X 4" HEX HEAD GRADE 5	F05008-78	4	
9	WASHER, 1/2" SAE FLAT	F05011-2	8	
10	NUT, 1/2-13 NYLON LOCK	F05010-8	4	
11	COVER, STAINLESS STEEL BED RAIL	016898 ¹	2	
12	BOLT, 5/16-18 X 2 1/2" HEX HEAD	F05006-10	6	
13	NUT, 5/16-18 HEX LOCK	F05010-6	6	
14	WRENCH, BED RAIL ADJUSTMENT	015970	1	

¹ Longer rail 016898 replaces S09944 supplied prior to BX6 Rev. A2.00, BX12 Rev. A2.00 and BX24 Rev. A3.00.

5.2 Bed Rail Assembly, Front Middle (BX12 & BX24 Only)

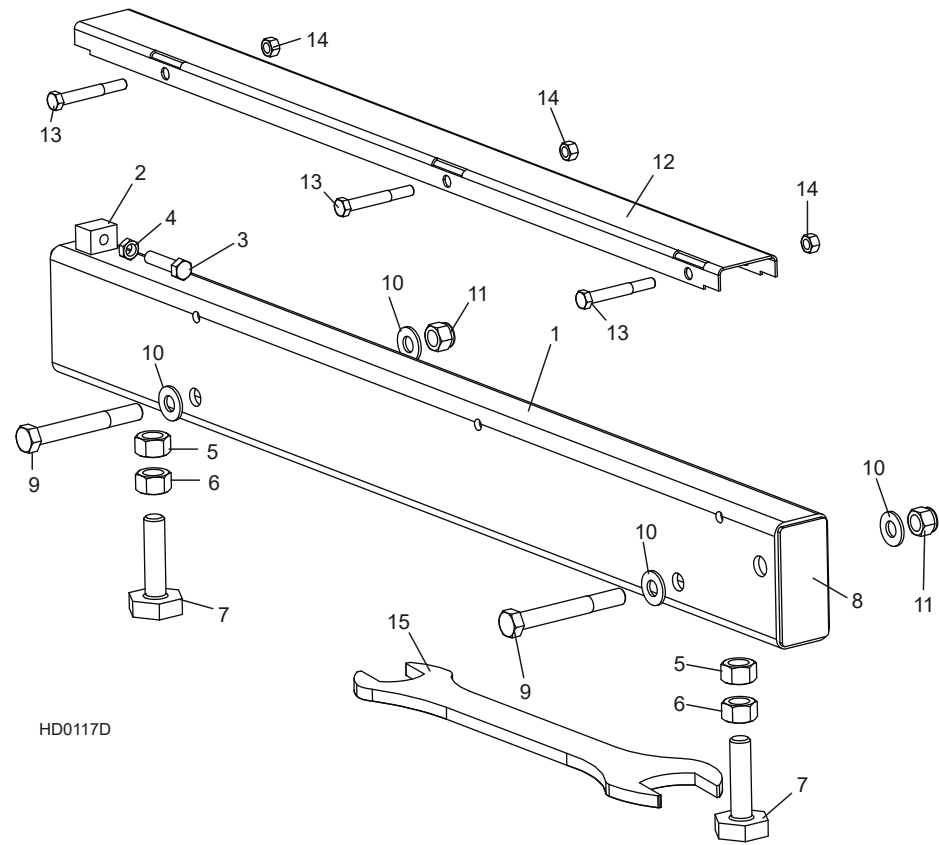


REF	DESCRIPTION (◆ Indicates Parts Available In Assemblies Only)	PART #	QTY.	
	BED RAIL ASSEMBLY, FRONT MIDDLE	A09566	1	
1	Bed Rail Tube, Short	S09103	1	◆
2	Pin, Ramp Mount	S04030	1	
3	Nut, 5/8-11 Square Pilot Weld	F05010-187	2	
4	Nut, 5/8-11 Hex	F05010-54	2	
5	Bolt, Bed Rail Adjustment	S13006	2	
6	Plate, Bed Rail End Cap	S04058	1	◆
7	BOLT, 1/2-13 X 4" HEX HEAD GRADE 5	F05008-78	4	
8	WASHER, 1/2" SAE FLAT	F05011-2	8	
9	NUT, 1/2-13 NYLON LOCK	F05010-8	4	
	COVER ASSEMBLY, STAINLESS STEEL BED RAIL (LONG)	A09956	1	
10	Cover, Stainless Steel Bed Rail	S09944	1	◆
11	Bolt, 5/16-18 X 2 1/2" Hex Head	F05006-10	3	
12	Nut, 5/16-18 Hex Lock	F05010-6	3	
13	WRENCH, BED RAIL ADJUSTMENT	O15970	1	

5 Bed Extension Parts

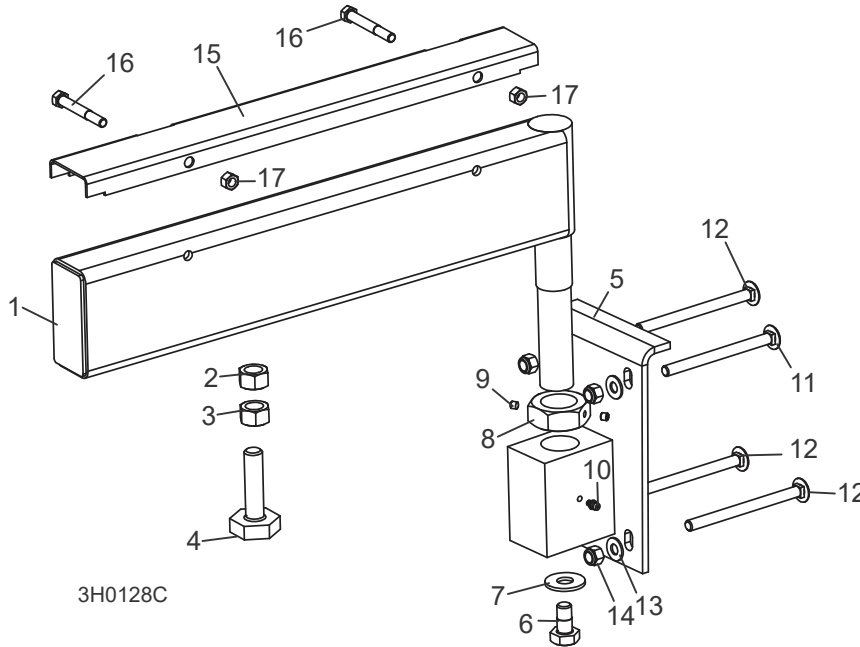
Bed Rail Assembly, Rear Middle (BX12 & BX24 Only)

5.3 Bed Rail Assembly, Rear Middle (BX12 & BX24 Only)



REF	DESCRIPTION (◆ Indicates Parts Available In Assemblies Only)	PART #	QTY.	
	BED RAIL ASSEMBLY, REAR MIDDLE PAINTED		1	
1	Bed Rail Tube, Short	S09103	1	◆
2	Block, Log Stop w/Threaded Hole	014639	1	◆
3	Bolt, 3/8-16 x 1 1/2 Full Thread Hex Head	F05007-17	1	
4	Nut, 3/8-16 Hex Jam	F05010-29	1	
5	Nut, 5/8-11 Square Pilot Weld	F05010-187	2	◆
6	Nut, 5/8-11 Hex	F05010-54	2	
7	Bolt, Bed Rail Adjustment	S13006	2	
8	Plate, Bed Rail End Cap	S04058	1	
9	BOLT, 1/2-13 X 4" HEX HEAD GRADE 5	F05008-78	2	
10	WASHER, 1/2" SAE FLAT	F05011-2	4	
11	NUT, 1/2-13 NYLON LOCK	F05010-8	2	
	COVER ASSEMBLY, STAINLESS STEEL BED RAIL (LONG)	A09956	1	
12	Cover, Stainless Steel Bed Rail	S09944	1	◆
13	Bolt, 5/16-18 X 2 1/2" Hex Head	F05006-10	3	
14	Nut, 5/16-18 Hex Lock	F05010-6	3	
15	WRENCH, BED RAIL ADJUSTMENT	015970	1	

5.4 Pivot Bed Rail Assembly (BX24 Only)

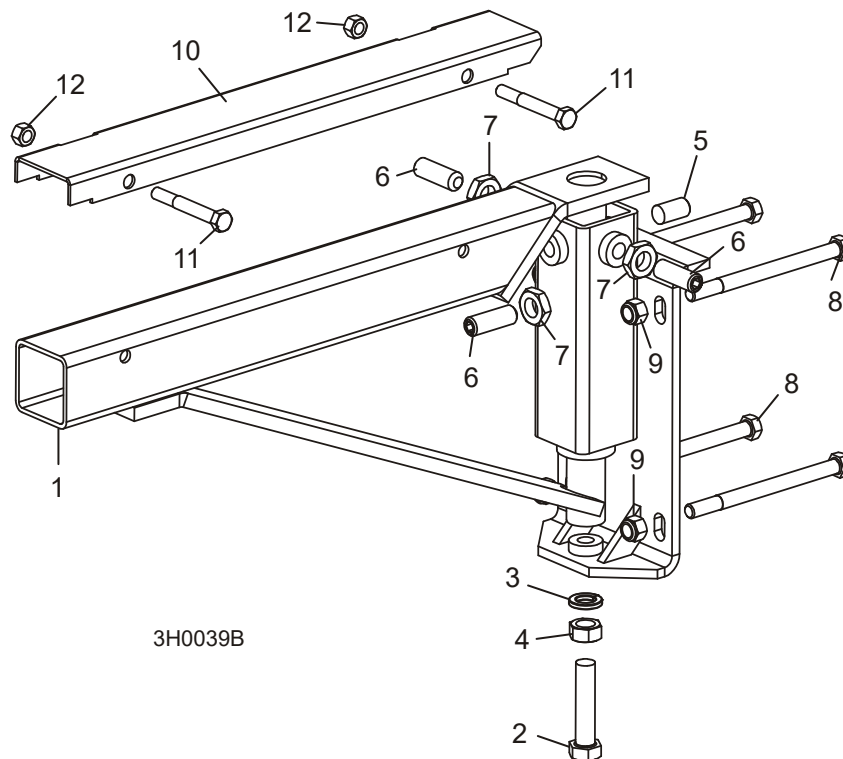


REF	DESCRIPTION (◆ Indicates Parts Available In Assemblies Only)	PART #	QTY.	
	PIVOT BED RAIL ASSEMBLY	A13015	2	
1	Pivot Bed Rail Weldment	W13014	1	◆
2	Nut, 5/8-11 Square Pilot Weld	F05010-187	1	
3	Nut, 5/8-11 Hex	F05010-5	1	
4	Bolt, Bed Rail Adjustment	S13006	1	
5	Bracket, Pivot Rail Mounting	W13090	1	
6	Bolt, 1/2-13 x 1" Hex Head Grade 2	F05008-50	1	
7	Washer, 9/16" Flat SAE	F05011-52	1	
8	Nut, Pivot Rail Adjustment	S13016	1	
9	Screw, 1/4-28 x 1/4" Brass Tip Set	F05005-42	2	
10	Fitting, 3/16" Grease	P04107	1	
11	BOLT, 3/8-16 X 4 3/4" CARRIAGE HEAD	F05007-114	2	
12	BOLT, 3/8-16 X 5" CARRIAGE HEAD	F05007-113	6	
13	WASHER, 3/8" SAE FLAT	F05011-3	8	
14	NUT, 3/8-16 NYLON LOCK	F05010-10	8	
15	COVER, STAINLESS STEEL PIVOT BED RAIL	S13012	2	
16	BOLT, 5/16-18 X 2 1/2" HEX HEAD	F05006-10	4	
17	NUT, 5/16-18 HEX LOCK	F05010-6	4	
	WRENCH, BED RAIL ADJUSTMENT (NOT SHOWN)	015970	1	

5 Bed Extension Parts

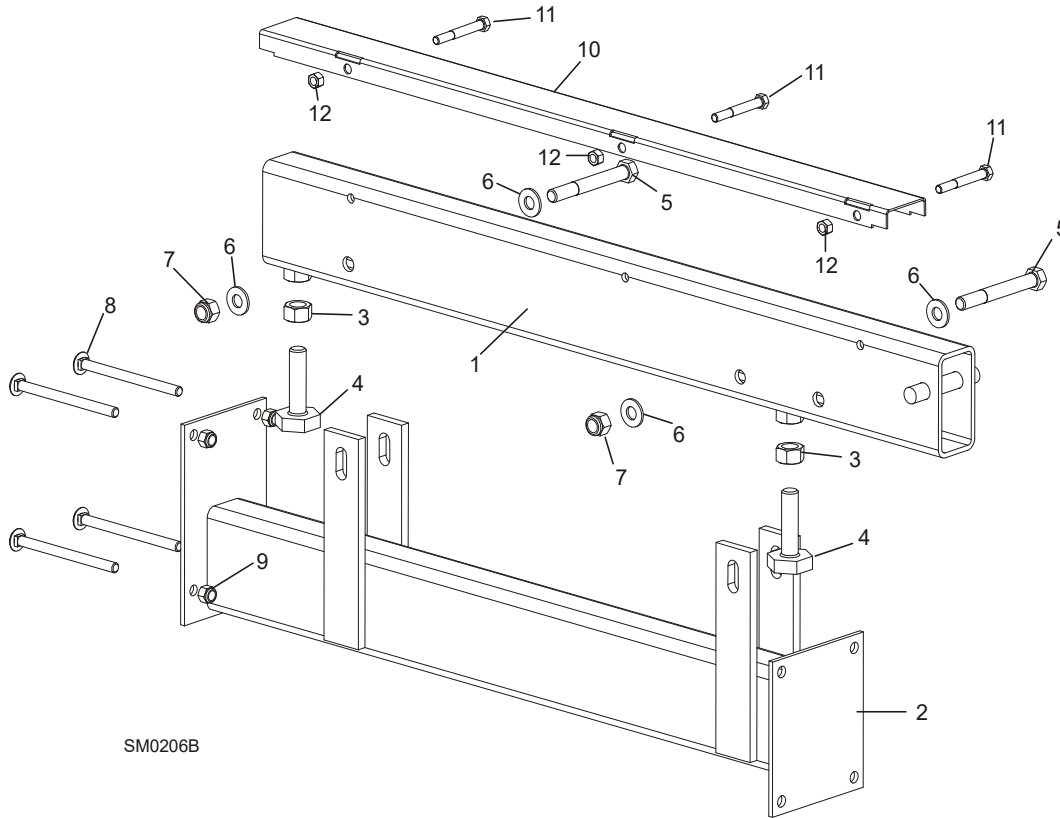
Pivot Bed Rail Assembly (BX12 Only)

5.5 Pivot Bed Rail Assembly (BX12 Only)



REF	DESCRIPTION (◆ Indicates Parts Available In Assemblies Only)	PART #	QTY.	
	PIVOT BED RAIL COMPLETE KIT	K06897	1	
	Pivot Bed Rail Assembly	A09435	1	◆
1	Pivot Bed Rail Weldment	W09320	1	◆
2	Bolt, 1/2-13 X 2 1/4" Hex Head Full Thread	F05008-2	1	
3	Washer, 1/2" Split Lock	F05011-9	1	
4	Nut, 1/2-13 Hex	F05010-35	1	
	Bag Assembly, Pivot Bed Rail	A06893	1	◆
5	Screw, 1/2-13 X 1" Socket Head Oval Point	F05008-9	1	
6	Screw, 1/2-13 X 1 1/2" Socket Head Flat Point	F05008-31	3	
7	Nut, 1/2-13 Hex Jam	F05010-31	3	
	Instruction Sheet, Pivot Bed Rail	K06897-270	1	
8	Bolt, 3/8-16 X 5" Hex Head	F05007-5	4	
9	Nut, 3/8-16 Nylon Lock	F05010-10	4	
	COVER ASSEMBLY, STAINLESS STEEL PIVOT BED RAIL	A09609	1	
10	Cover, Stainless Steel Pivot Bed Rail (Short)	S09252	1	◆
11	Bolt, 5/16-18 X 2 1/2" Hex Head	F05006-10	2	
12	Nut, 5/16-18 Hex Lock	F05010-6	2	

5.6 Auxiliary Bed Rail Assembly (BX24 Only)



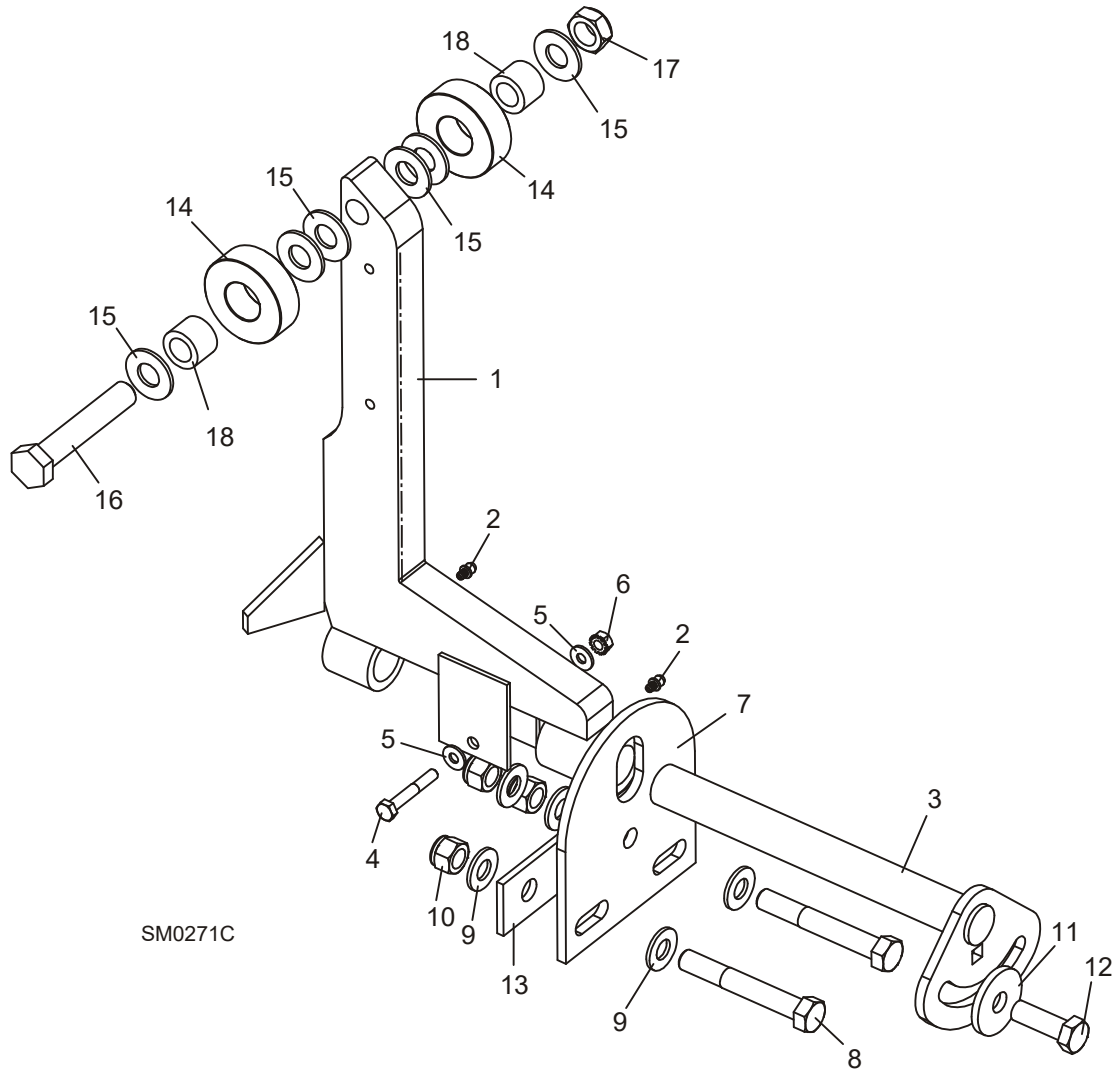
REF	DESCRIPTION (◆ Indicates Parts Available In Assemblies Only)	PART #	QTY.	
	RAIL KIT, BX24 AUXILIARY BED	K12017	1	
	Bed Rail Assembly, BX24	W12016	1	◆
1	Rail Weldment, BX24 Auxiliary Bed	036277	1	
2	Base Weldment, BX24 Bed Rail	036276	1	
	Bolt Assembly, Bed Rail	A09775	2	◆
3	Nut, 5/8-11 Hex	F05010-54	2	
4	Bolt, Bed Rail Adjustment	S13006	2	
5	Bolt, 1/2-13 X 4" Hex Head	F05008-26	2	
6	Washer, 1/2" SAE Flat	F05011-2	4	
7	Nut, 1/2-13 Nylon Lock	F05010-8	2	
8	Bolt, 3/8-16 x 5" Carriage Head	F05007-113	4	
9	Nut, 3/8-16 Nylon Lock	F05010-10	4	
	Cover Assembly, Stainless Steel Bed Rail (Long)	A09956	1	
10	Cover, Stainless Steel Bed Rail	S09944	1	◆
11	Bolt, 5/16-18 X 2 1/2" Hex Head	F05006-10	3	
12	Nut, 5/16-18 Hex Lock	F05010-6	3	
	WRENCH, BED RAIL ADJUSTMENT (NOT SHOWN)	015970	1	

5 Bed Extension Parts

Log Side Support Assembly

5.7 Log Side Support Assembly

BX **Rev. A1.01+**



REF	DESCRIPTION (◆ Indicates Parts Available In Assemblies Only)	PART #	QTY.
1	SUPPORT, LOG SIDE (QTY. 1 PER BX6/4 PER BX12 AND BX24)	015235	1/4
2	Fitting, 3/16" Grease	P04107	2/8
	MOUNTING KIT, LOG SIDE SUPPORT	016559 ¹	1/4
3	Pin, Log Side Support Pivot	016544	1
4	Bolt, 1/4-20 X 1 1/2" Hex Head Grade 5	F05005-4	1
5	Washer, 1/4" SAE Flat	F05011-11	2
6	Nut, 1/4-20 Self Locking	F05010-9	1
7	Plate, Log Side Support End	016555	1
8	Bolt, 1/2-13 X 3 1/2" Hex Head Grade 5	F05008-61	2

9	Washer, 1/2" SAE Flat	F05011-2	2	
10	Nut, 1/2-13 Hex Nylon Lock	F05010-8	3	
11	Washer, 1/2" SAE Flat	014632 ²	1	
12	Bolt, 1/2-13 X 1 1/2" Hex Head Grade 5	F05008-33	1	
13	Plate, Side Support Washer Clamp	016558	1	
	ROLLER KIT, SIDE SUPPORT (OPTIONAL)	016562 ³	1/4	
14	Roller, Side Support	016561	2	
15	Washer, 5/8" SAE Flat	F05011-5	6	
16	Bolt, 5/8-11 x 3 3/4" Hex Head Grade 5	F05009-118 ⁴	1	
17	Nut, 5/8-11 Hex Nylon Lock Jam	F05010-96	1	
18	Bushing, Bronze 5/8" x 1" x 3/4"	016560	2	
	Instruction Sheet, Side Support Roller	016562-526	1	

¹ Mounting Kit 016559 replaces kit K09344 supplied prior to Rev. A1.01. New mounting pin, plate and clamp plate improve stability of side support adjustment.

² Oversized Washer 014632 replaces 1/2" SAE Flat Washer F05011-2 to provide larger clamping area during adjustment (12/99). F05011-2 replaced F05011-90 .5" x 1.63" Serrated Washer supplied prior to Rev. A1.02. Serrated Washer no longer required with current side support mount arrangement.

³ Roller Kit 016562 replaces kit 015109 supplied prior to Rev. A1.01.

⁴ Longer bolt replaces 3 1/2" F05009-93 used before 3/07.

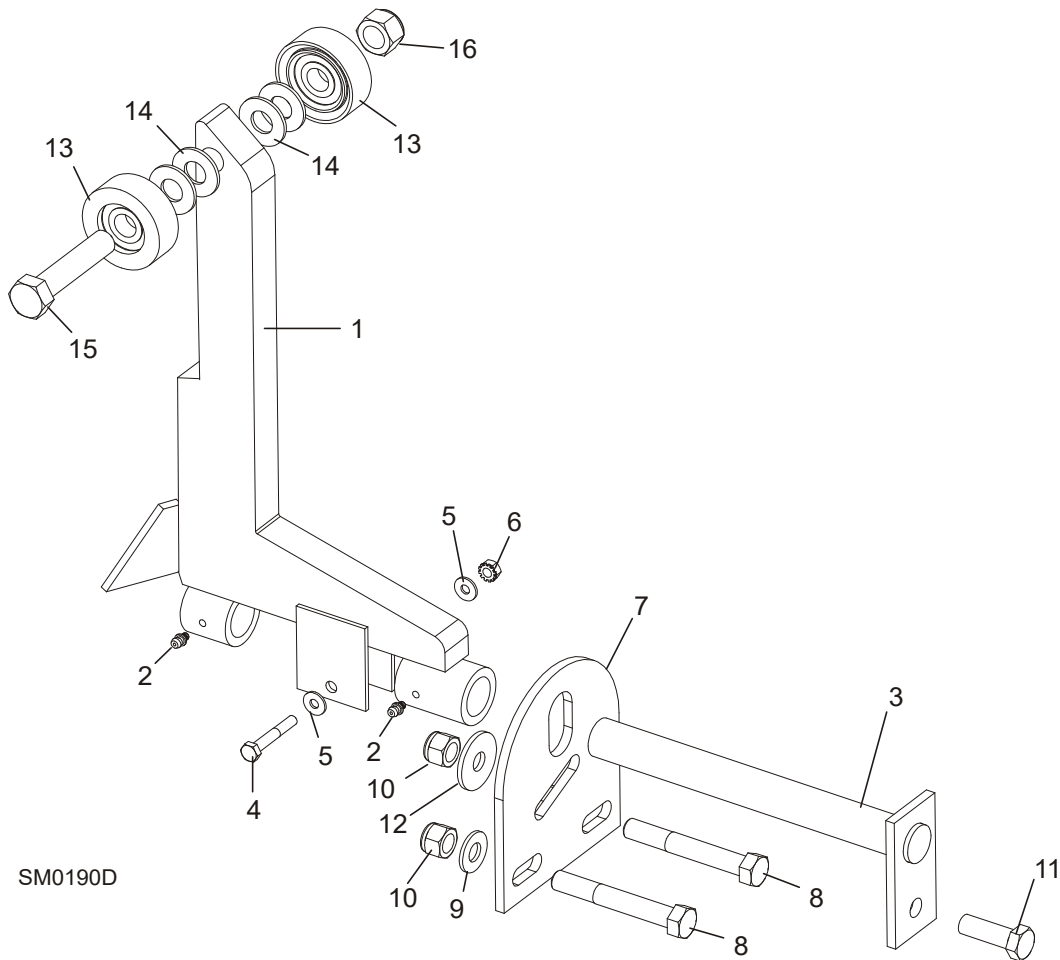
5 Bed Extension Parts

Log Side Support Assembly

5.8 Log Side Support Assembly

BX

Rev. A - A1.00



SM0190D

REF	DESCRIPTION (◆ Indicates Parts Available In Assemblies Only)	PART #	QTY.	
1	SUPPORT, LOG SIDE (QTY. 1 PER BX6/4 PER BX12 AND BX24)	015235	1/4	
2	Fitting, 3/16" Grease	P04107	2/8	
	MOUNTING KIT, LOG SIDE SUPPORT	K09440 ¹	1/4	
3	Pin, Log Side Support Pivot	W09238	1	
4	Bolt, 1/4-20 X 1 1/2" Hex Head Grade 5	F05005-5	1	
5	Washer, 1/4" SAE Flat	F05011-11	2	
6	Nut, 1/4-20 Self Locking	F05010-9	1	
7	Plate, Log Side Support End	S09148	1	
8	Bolt, 1/2-13 X 3 1/2" Hex Head	F05008-15	2	
9	Washer, 1/2" SAE Flat	F05011-2	2	
10	Nut, 1/2-13 Hex Nylon Lock	F05010-8	3	
11	Bolt, 1/2-13 X 1 1/2" Hex Head Grade 5	F05008-33	1	

12	Washer, .5" x 1.63" x 11" Ga.	014632 ²	1	
	ROLLER KIT, SIDE SUPPORT (OPTIONAL)	015109 ³	1/4	
13	Roller Assembly, Side Support	015014	2	
14	Washer, 5/8" SAE Flat	F05011-5	4	
15	Bolt, 5/8-11 x 3" Hex Head Grade 5	F05009-37	1	
16	Nut, 5/8-11 Nylon Lock	F05010-34	1	
	Instruction Sheet, Side Support Roller	015109-526	1	

¹ Upgrade mounting kit 016559 also available. Replaces Pin Weldment and Mounting Plate to new design to improve stability of side support adjustment ([See Section 5.7](#)).

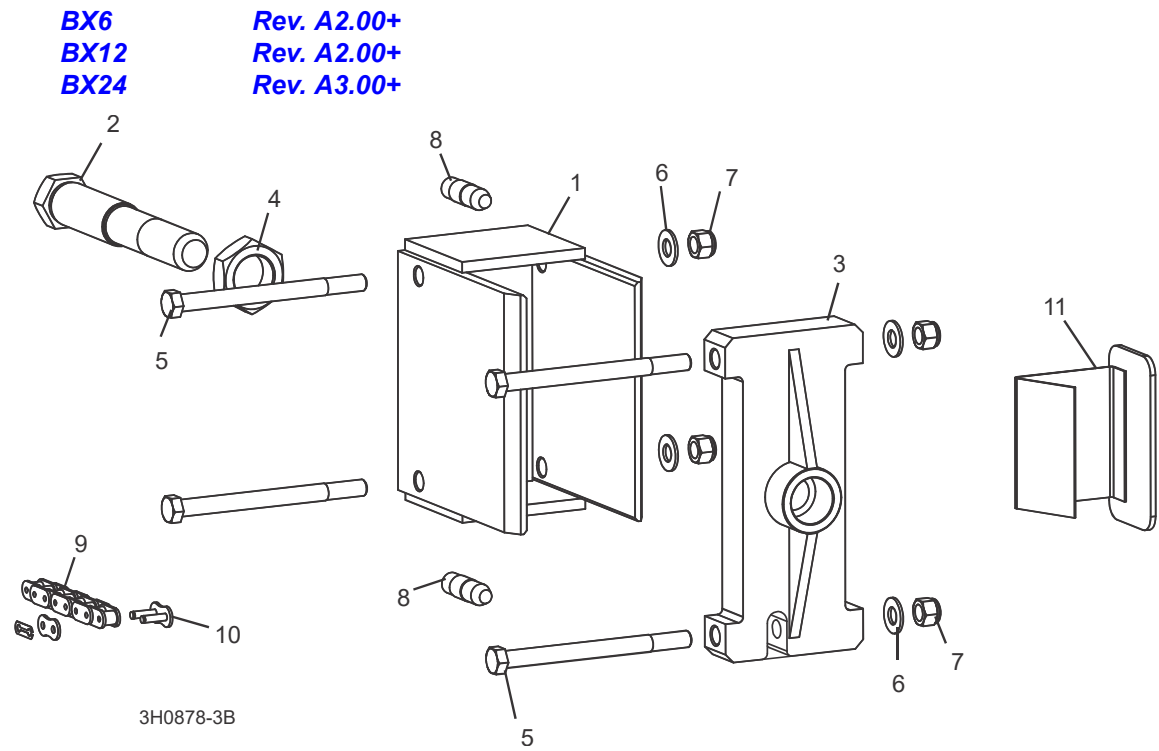
² Replaces S09225 1/2" I.D. X 1 1/2" O.D. X .1196" Washer (12/97).

³ Roller kit replaced by new kit 016562 ([See Section 5.7](#)).

5 Bed Extension Parts

Connecting Assembly/Feed Chain (2002+ Models)

5.9 Connecting Assembly/Feed Chain (2002+ Models)



REF	DESCRIPTION (◆ Indicates Parts Available In Assemblies Only)	PART #	QTY.
	BOX ASSEMBLY, BX6 PARTS (2002)	017767	1
	BOX ASSEMBLY, BX12 PARTS (2002)	017768	1
	BOX ASSEMBLY, BX24 PARTS (2002)	017769	1
	BOX ASSEMBLY, BX6 PARTS (LT60/70)	017843	1
	BOX ASSEMBLY, BX12 PARTS (LT60/70)	017844	1
	BOX ASSEMBLY, BX24 PARTS (LT60/70)	017845	1
	BOX ASSEMBLY, BX6 PARTS (70 DCS)	074068	1
	BOX ASSEMBLY, BX12 PARTS (70 DCS)	074069	1
	Connection Assembly, Bed Extension	017700	1
1	Box Weldment, Bed Extension Connection	017695	1
2	Screw, Bed Extension Connection Adjustment	017690	1
3	Plate Weldment, Bed Extension Connection	017699	1
4	Nut, 1-14 Hex Head Left-Hand Thread Jam	F05010-172	1
5	Bolt, 3/8-16 x 4 3/4" Hex Head Grade 5	F05007-109	4
6	Washer, 3/8" SAE Flat	F05011-3	4
7	Nut, 3/8-16 Hex Nylon Lock	F05010-10	4
8	Pin, Bed Extension Connection	017689	2

Bed Extension Parts

Connecting Assembly/Feed Chain (2002+ Models)

5

9	Chain, #40 x 75 1/2" (BX6)	P11602	1	
	Chain, #40 x 143 1/2" (BX12)	P07355	1	
	Chain, #40 x 286 1/2" (BX24)	P11909	1	
	Chain, #60 x 70 1/2" (BX6 LT60/70/DCS)	017840	1	
	Chain, #60 x 143 1/4" (BX12 LT60/70/DCS)	017841	1	
	Chain, #60 x 286 1/2" (BX24 LT60/70)	017842	1	
10	Link, #40 Master	P04200	1	
	Link, #60 CL (LT60/70/DCS)	042398	1	
11	Cap Weldment, 2x4 Bed Tube	014652	2	
	Cap Weldment, 2x4 Bed Tube (LT60/70 DCS)	038843	2	
	Cable Assembly, DCS 6' Bed-X Festoon Trolley (LT60/70 DCS)	065920-6	1	
	Cable Assembly, DCS 12' Bed-X Festoon Trolley (LT60/70 DCS)	065920-12	1	
	Cable Assembly, DCS 6' Bed-X Festoon (LT60/70 DCS)	068309	1	
	Cable Assembly, DCS 12' Bed-X Festoon (LT60/70 DCS)	068311	1	
	Trolley, LT70 Festoon (LT60/70 DCS; 1 for 6'; 2 for 12')	076078	1/2	
	Manual, Bed Extension Option	M294	1	
12	ROPE, 3/8" DIA. SOLID BRAIDED POLYESTER (LT28 MANUAL FEED ONLY)	R02080-1 ¹	A/R	

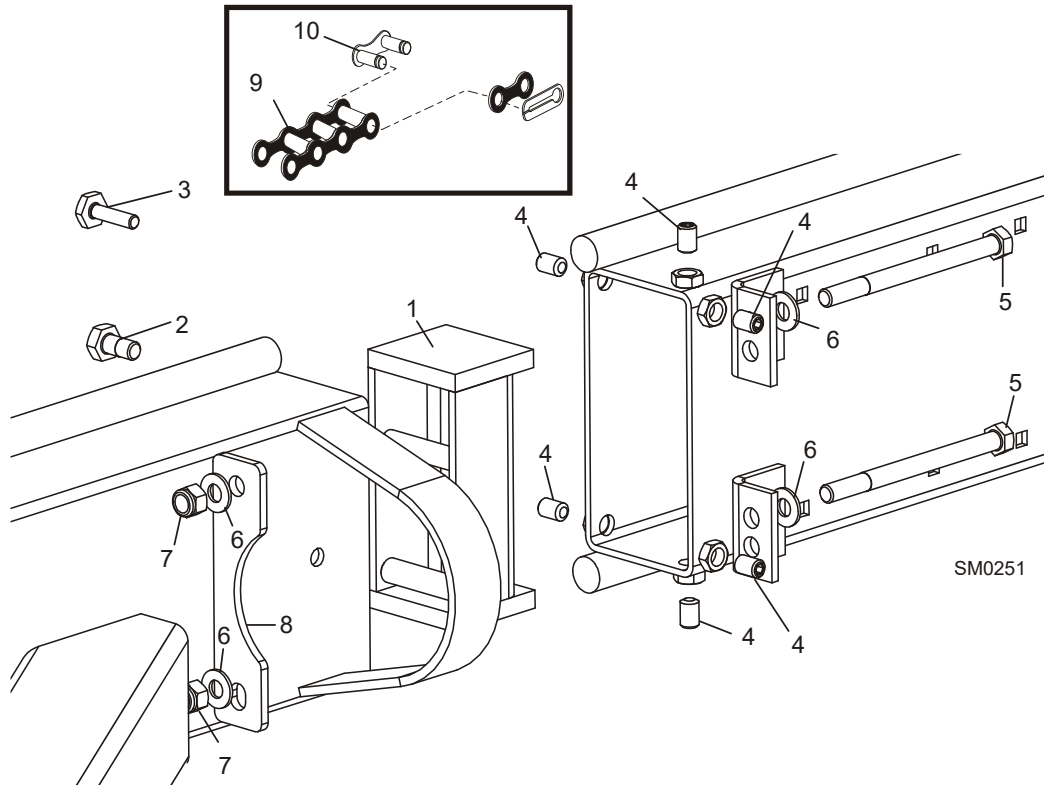
¹ Sold separately. Order 30.5 ft. plus length of BedX option.

5 Bed Extension Parts

Alignment Box/Feed Chain (pre-2002 Models)

5.10 Alignment Box/Feed Chain (pre-2002 Models)

BX6 Rev. C.00+
BX12 Rev. D.00+
BX24 Rev. C.00+

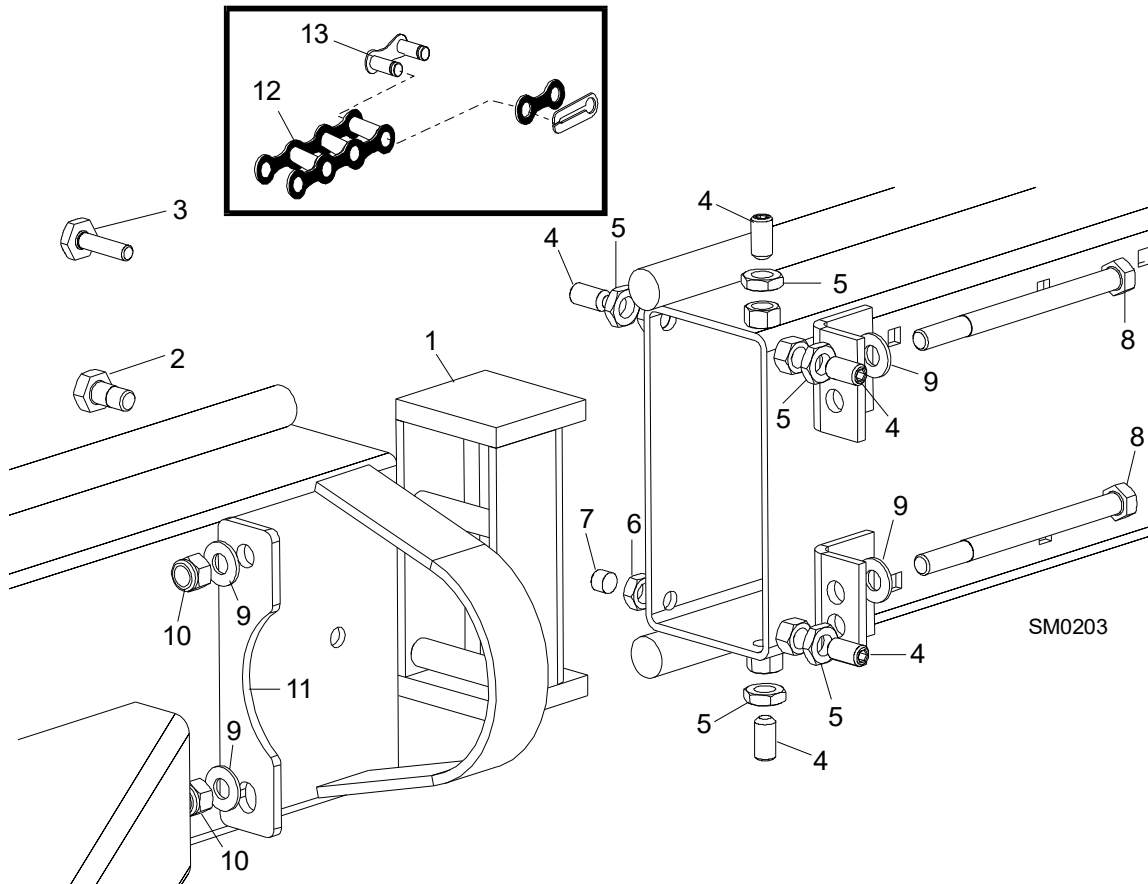


REF	DESCRIPTION (◆ Indicates Parts Available In Assemblies Only)	PART #	QTY.
	BOX ASSEMBLY, BX6 PARTS	014756	1
	BOX ASSEMBLY, BX12 PARTS	A04383	1
	BOX ASSEMBLY, BX24 PARTS	A11907	1
1	Box Weldment, Bed Extension Alignment	W12010	1
2	Bolt, 1/2-13 x 1" Hex Head	F05008-50	1
3	Bolt, 3/8-16 x 1 1/2" 7/8" Hex Head	F05007-28	1
4	Screw, 1/2-13 x 3/4" Socket Head Flat Point Nylock Set	F05008-117 ¹	6
5	Bolt, 1/2-13 x 6 1/2" Hex Head	F05008-6	2
6	Washer, 1/2" SAE Flat	F05011-2	4
7	Nut, 1/2-13 Hex Nylon Lock	F05010-8	2
8	Plate, Bed Extension Bolt-Up	S12021	1
9	Chain, #40 x 75 1/2" (BX6)	P11602	1
	Chain, #40 x 143 1/2" (BX12)	P07355	1
	Chain, #40 x 286 1/2" (BX24)	P11909	1
10	Link, #40 Master	P04200	1

¹ Replaces set screws and jam nuts used on prior revisions ([See Section 5.11](#)).

5.11 Alignment Box/Feed Chain

BX6 *Rev. A.00 - B.00*
BX12 *Rev. A.00 - C.00*
BX24 *Rev. A.00 - B.00*



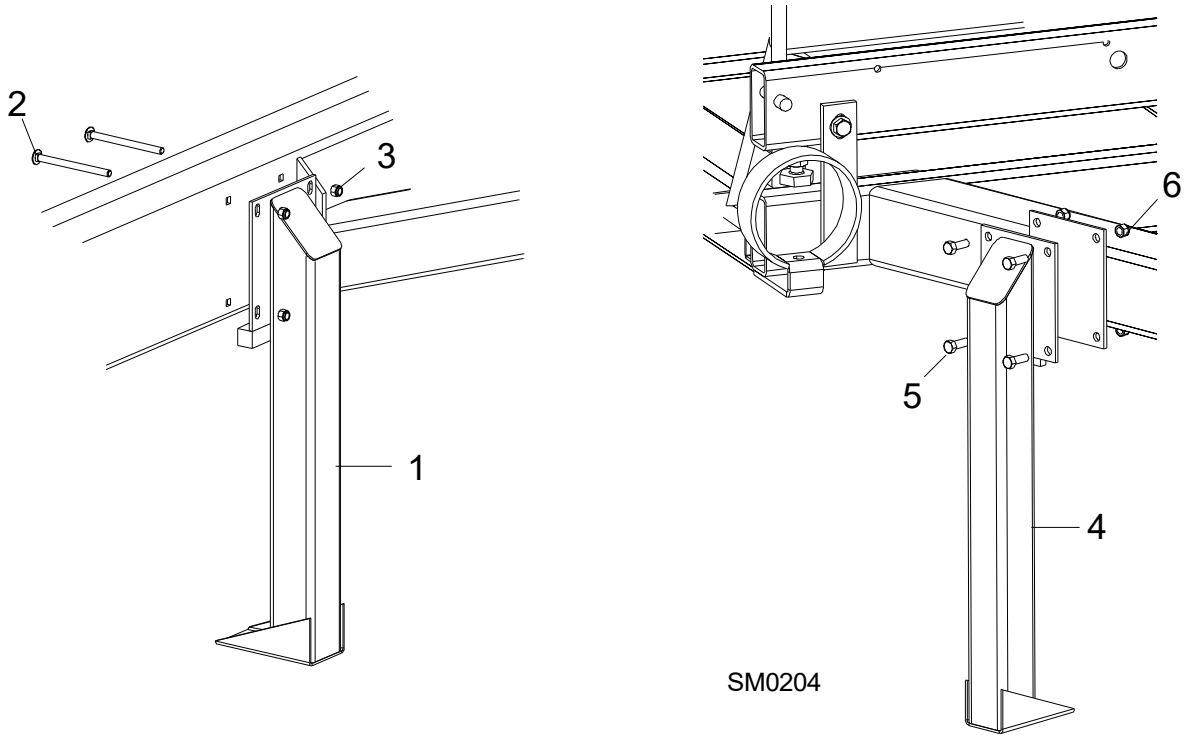
REF	DESCRIPTION (◆ Indicates Parts Available In Assemblies Only)	PART #	QTY.
	BOX ASSEMBLY, BX6 PARTS	014756	1
	BOX ASSEMBLY, BX12 PARTS	A04383	1
	BOX ASSEMBLY, BX24 PARTS	A11907	1
1	Box Weldment, Bed Extension Alignment	W12010	1
2	Bolt, 1/2-13 x 1" Hex Head	F05008-50	1
3	Bolt, 3/8-16 x 1 1/2" 7/8" Hex Head	F05007-28	1
4	Screw, 1/2-13 x 1" Socket Head Flat Point Set	F05008-72 ¹	5
5	Nut, 1/2-13 Hex Jam	F05010-31 1	5
6	Nut, 1/2-20 Hex Jam	F05010-16 1	1
7	Screw, 1/2-20 x 1/2" Socket Head Flat Point Set	F05008-14 1	1
8	Bolt, 1/2-13 x 6 1/2" Hex Head	F05008-6	2
9	Washer, 1/2" SAE Flat	F05011-2	4
10	Nut, 1/2-13 Hex Nylon Lock	F05010-8	2

5**Bed Extension Parts***Alignment Box/Feed Chain*

11	Plate, Bed Extension Bolt-Up	S12021	1	
12	Chain, #40 x 75 1/2" (BX6)	P11602	1	
	Chain, #40 x 143 1/2" (BX12)	P07355	1	
	Chain, #40 x 286 1/2" (BX24)	P11909	1	
13	Link, #40 Master	P04200	1	

¹ Set screws and jam nuts replaced with Nylock set screw on later revisions ([See Section 5.10](#))

5.12 Stationary Legs



REF	DESCRIPTION (◆ Indicates Parts Available In Assemblies Only)	PART #	QTY.	
1	LEG WELDMENT, LONG STATIONARY (2 REQ'D FOR BX6 & BX12; 4 FOR BX24)	W09513	2/4 ¹	
2	BOLT, 3/8-16 X 5" CARRIAGE HEAD	F05007-113	8/12	
3	NUT, 3/8-16 HEX NYLON LOCK	F05010-10	8/12	
4	LEG WELDMENT, SHORT STATIONARY (2 REQ'D FOR BX6 & BX12; 3 FOR BX24)	W09515	2/3	
5	BOLT, 3/8-16 X 1 1/4" HEX HEAD	F05007-2 ²	8/12	
6	NUT, 3/8-16 HEX NYLON LOCK	F05010-10	8/12	

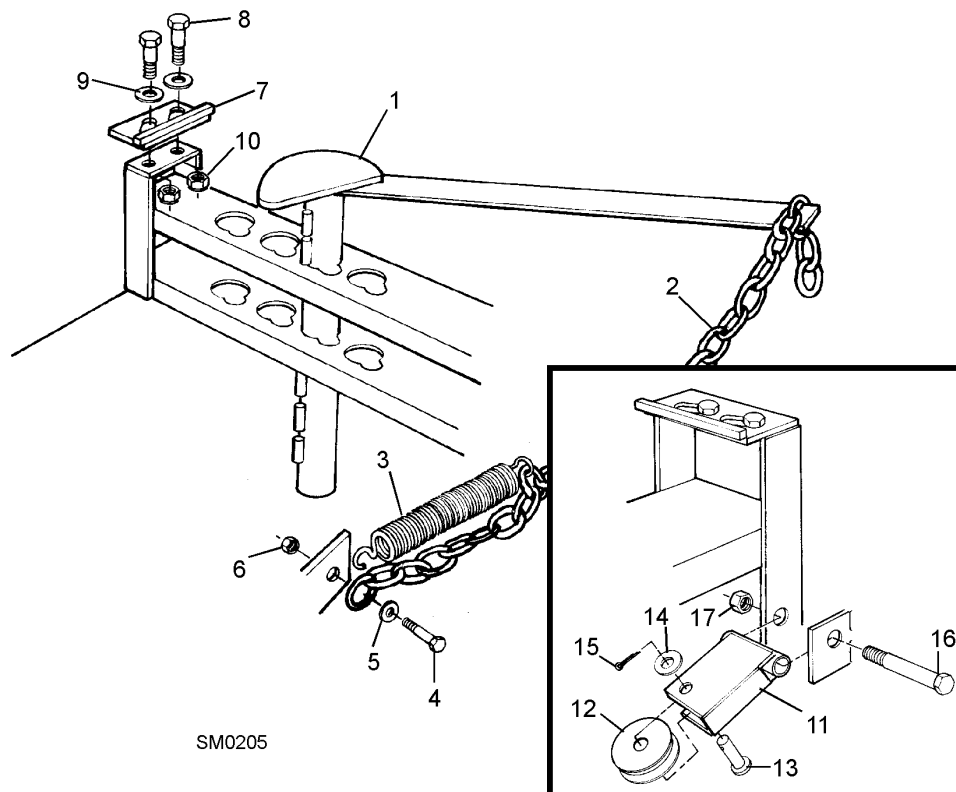
¹ Qty. of W09513 changed from 3 to 4 for BX24 Rev. A2.00.

² Replaces 3/8-16 x 1" Hex Head Grade 2 Bolt (F05007-7) to secure leg with thicker 1/4" mounting plate provided after 11/99.

5 Bed Extension Parts

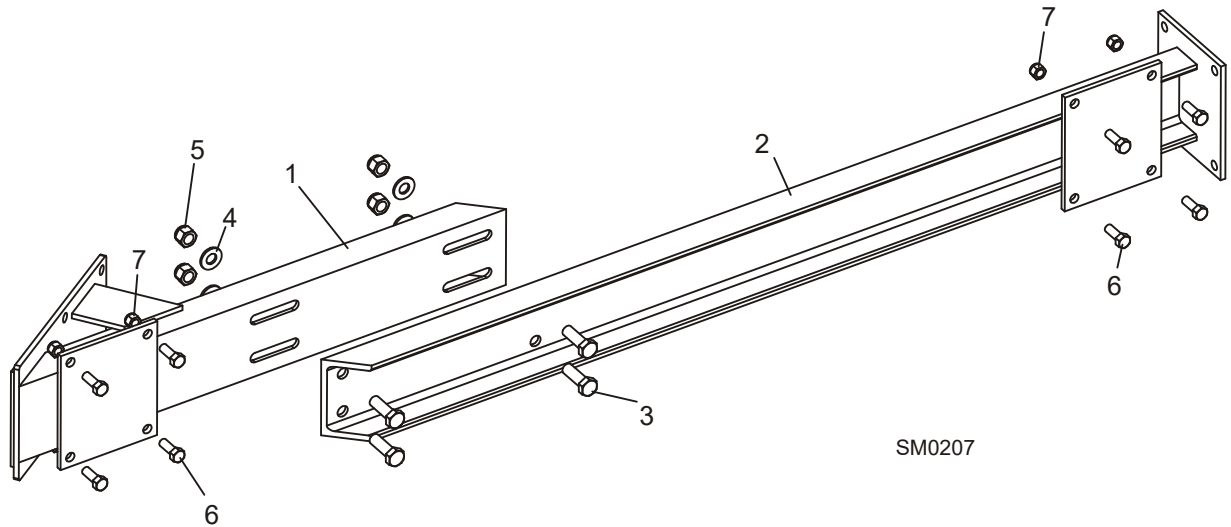
Log Clamp/Winch Cable Pulley

5.13 Log Clamp/Winch Cable Pulley



REF	DESCRIPTION (◆ Indicates Parts Available In Assemblies Only)	PART #	QTY.
1	CLAMP, LOG	W09412	1
2	CHAIN, LOG CLAMP	M04311	1
3	BOLT, 3/8-16 X 1" HEX HEAD	F05007-7	1
4	WASHER, 3/8" STANDARD FLAT	F05011-3	1
5	NUT, 3/8-16 HEX NYLON LOCK	F05010-10	1
6	SPRING, LOG CLAMP CHAIN	P09136	1
7	PLATE, LOG CLAMP STOP	W09404	1
8	BOLT, 1/2-13 X 1 1/2" HEX HEAD GRADE 5	F05008-33	2
9	WASHER, 1/2" SAE FLAT	F05011-2	2
10	NUT, 1/2-13 HEX NYLON LOCK	F05010-8	2
WINCH CABLE GUIDE PULLEY PARTS (BX12 & BX24 ONLY)			
11	BRACKET WELDMENT, WINCH PULLEY	W09429	1
12	PULLEY, WINCH CABLE	S09393	1
13	PIN, 1/2" X 1 27/64" CLEVIS	F05012-24	1
14	WASHER, 1/2" SAE FLAT	F05011-2	1
15	PIN, 1/8" X 1" COTTER	F05012-1	1
16	BOLT, 5/8-11 X 4" HEX HEAD FULL THREAD	F05009-8	1
17	NUT, 5/8-11 HEX NYLON LOCK	F05010-34	1

5.14 Brace Kit, BX6 to 1996+ LT30/LT30HD/LT60HD

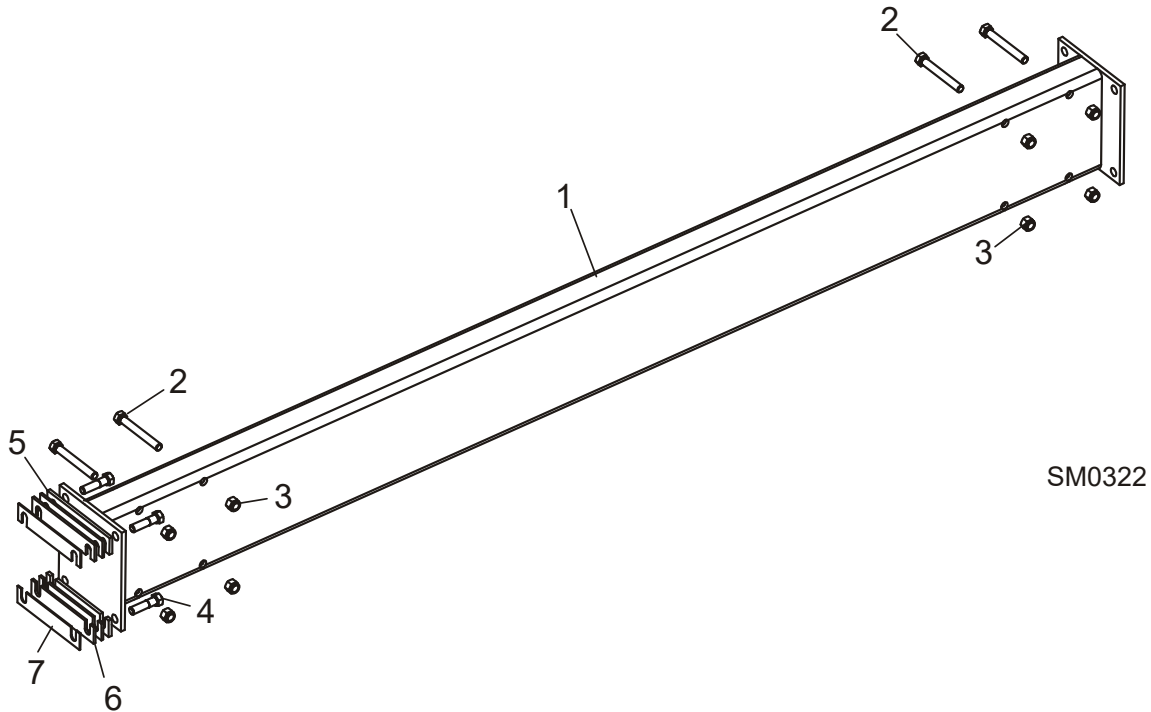


REF	DESCRIPTION (◆ Indicates Parts Available In Assemblies Only)	PART #	QTY.	
	BRACE KIT, LT30/LT30HD/LT60HD BX6 (FOR 1996+ MODEL SAWMILL ONLY ¹)	014772	1	
1	Brace Weldment, LT30 Bed Extension	014265	1	
2	Brace Weldment, BX6	014771	1	
3	Bolt, 1/2-13 x 1 1/2" Hex Head Grade 5	F05008-33	4	
4	Washer, 1/2" SAE Flat	F05011-2	4	
5	Nut, 1/2-13 Hex Nylon Lock	F05010-8	4	
6	Bolt, 3/8-16 x 1" Hex Head	F05007-7	8	
7	Nut, 3/8-16 Hex Nylon Lock	F05010-10	8	

¹ See Section 1.8 for complete brace application chart.

5 **Bed Extension Parts**
Brace Kit, BX6 to 1992-95 LT30/LT30HD

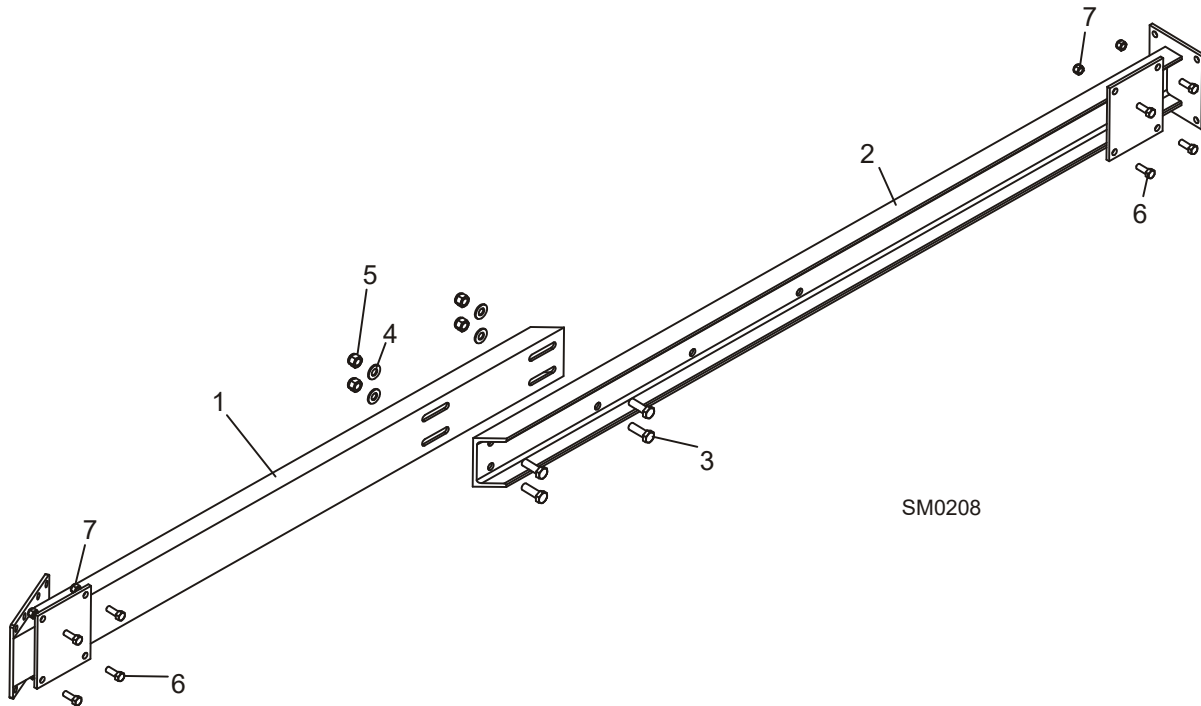
5.15 Brace Kit, BX6 to 1992-95 LT30/LT30HD



REF	DESCRIPTION (◆ Indicates Parts Available In Assemblies Only)	PART #	QTY.	
	BRACE KIT, LT30/LT30HD BX6 (FOR 1992-95 MODEL SAWMILL ONLY¹)	016265	1	
1	Brace Weldment, 1992-95 LT30 Bed Extension	N/A	1	
2	Bolt, 3/8-16 x 3" Hex Head Full Thread	F05007-1	8	
3	Nut, 3/8-16 Hex Nylon Lock	F05010-10	8	
4	Bolt, 3/8-16 x 1 1/2" Hex Head Grade 5	F05007-78	4	
5	Shim, 7GA BedX	S12025-7	2	
6	Shim, 11GA BedX	S12025-11	4	
7	Shim, 16GA BedX	S12025-16	2	

¹ See Section 1.8 for complete brace application chart.

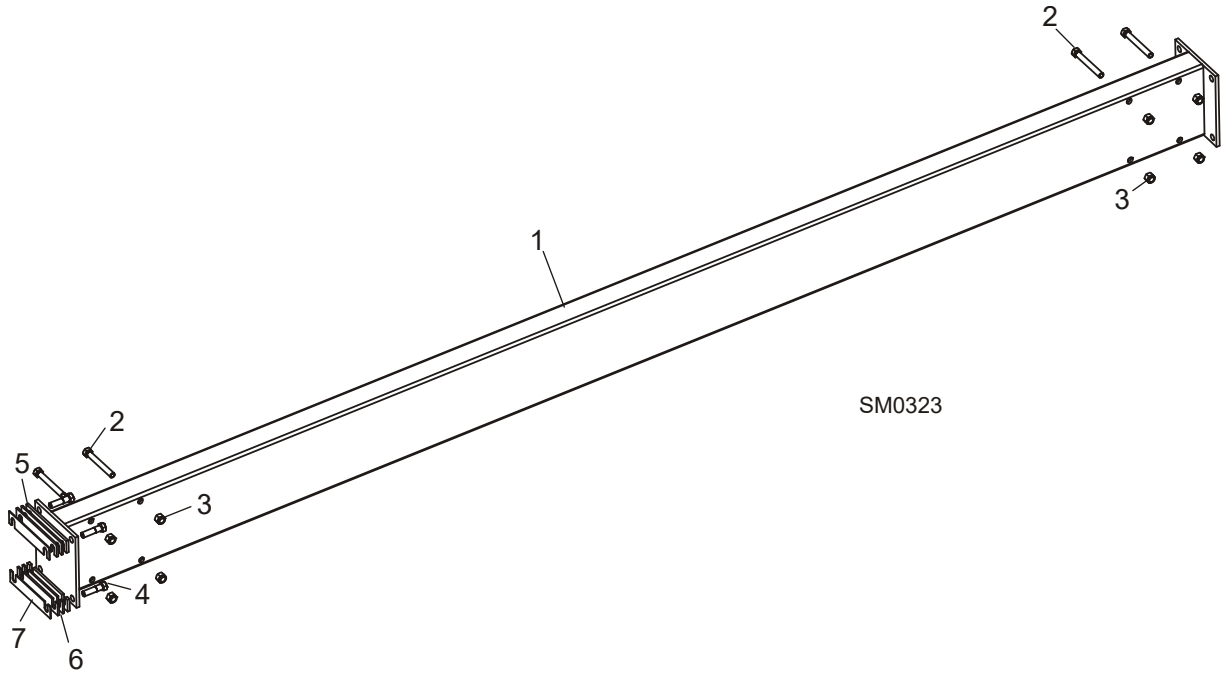
**5.16 Brace Kit, BX6 & BX12 to 1996+
LT35/LT35HD/LT40/LT40HD/LT50HD/LT70HD**



REF	DESCRIPTION (◆ Indicates Parts Available In Assemblies Only)	PART #	QTY.
	BRACE KIT, LT35/LT35HD/LT40/LT40HD/LT70HD BX6/BX12 (FOR 1996+ MODEL SAW-MILL ONLY ¹)	014270	1
1	Brace Weldment, LT40 Bed Extension	014264	1
2	Brace Weldment, BX6/BX12	014267	1
3	Bolt, 1/2-13 x 1 1/2" Hex Head Grade 5	F05008-33	4
4	Washer, 1/2" SAE Flat	F05011-2	4
5	Nut, 1/2-13 Hex Nylon Lock	F05010-8	4
6	Bolt, 3/8-16 x 1" Hex Head	F05007-7	8
7	Nut, 3/8-16 Hex Nylon Lock	F05010-10	8

¹ See Section 1.8 for complete brace application chart.

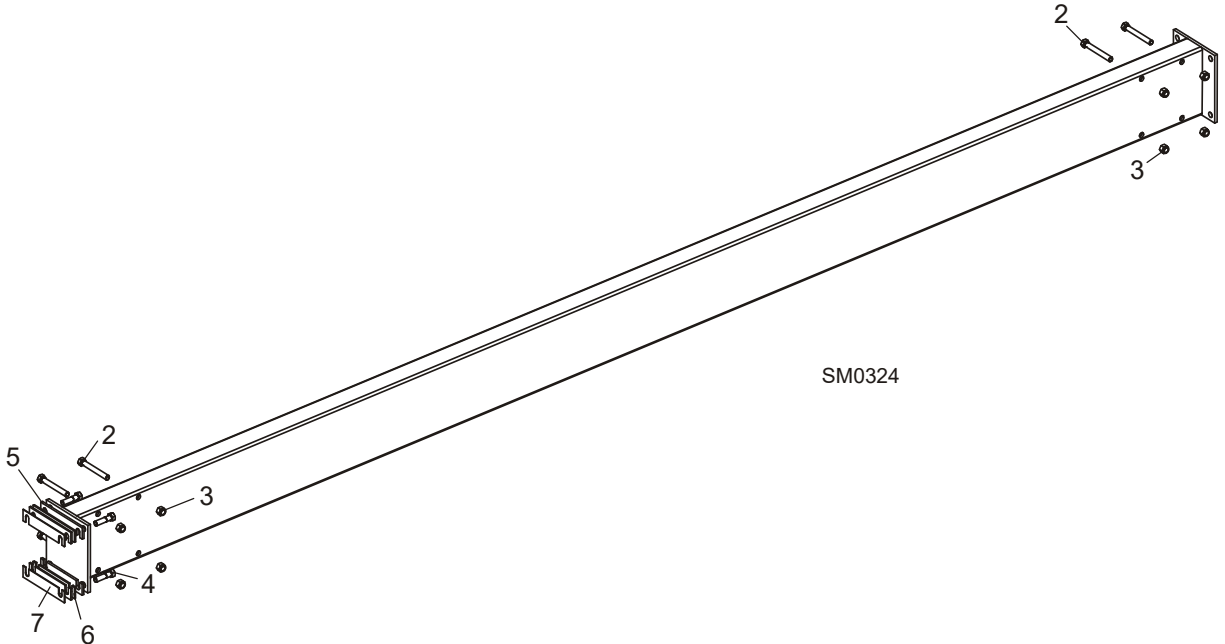
5.17 Brace Kit, BX6 to 1992-95 LT40/LT40HD



REF	DESCRIPTION (◆ Indicates Parts Available In Assemblies Only)	PART #	QTY.
	BRACE KIT, LT40/LT40HD/LT70HD BX6 (FOR 1992-95 MODEL SAWMILL ONLY ¹)	016039	1
1	Brace Weldment, 1992-95 LT40 Bed Extension	N/A	1
2	Bolt, 3/8-16 x 3" Hex Head Full Thread	F05007-1	8
3	Nut, 3/8-16 Hex Nylon Lock	F05010-10	8
4	Bolt, 3/8-16 x 1 1/2" Hex Head Grade 5	F05007-78	4
5	Shim, 7GA BedX	S12025-7	2
6	Shim, 11GA BedX	S12025-11	4
7	Shim, 16GA BedX	S12025-16	2

¹ See Section 1.8 for complete brace application chart.

5.18 Brace Kit, BX12 to 1992-95 LT40/LT40HD

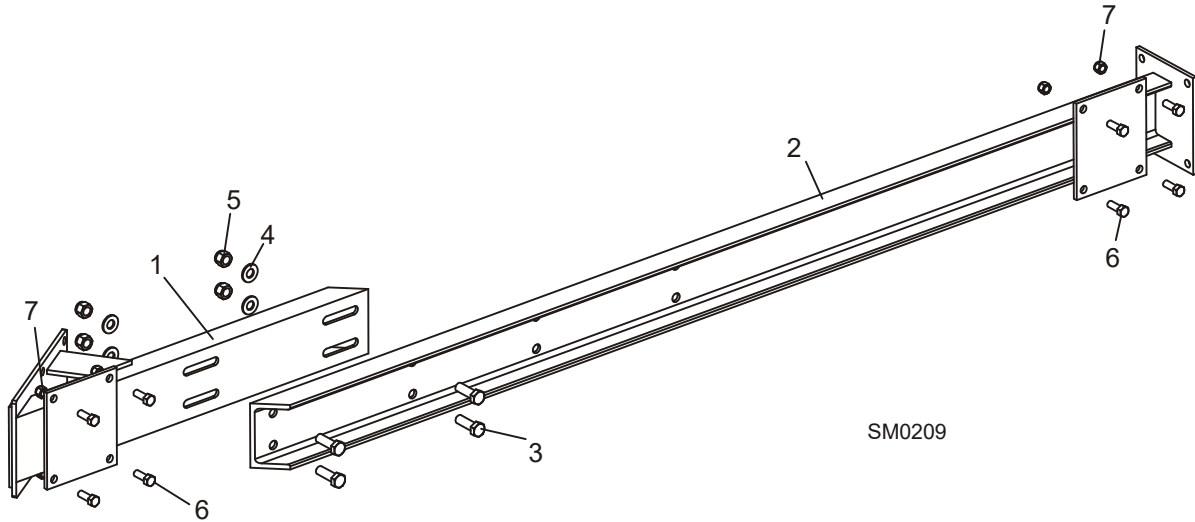


REF	DESCRIPTION (◆ Indicates Parts Available In Assemblies Only)	PART #	QTY.
	BRACE KIT, LT40/LT40HD/LT70HD BX12 (FOR 1992-95 MODEL SAWMILL ONLY ¹)	W07950	1
1	Brace Weldment, 1992-95 LT40 Bed Extension	N/A	1
2	Bolt, 3/8-16 x 3" Hex Head Full Thread	F05007-1	8
3	Nut, 3/8-16 Hex Nylon Lock	F05010-10	8
4	Bolt, 3/8-16 x 1 1/2" Hex Head Grade 5	F05007-78	4
5	Shim, 7GA BedX	S12025-7	2
6	Shim, 11GA BedX	S12025-11	4
7	Shim, 16GA BedX	S12025-16	2

¹ See Section 1.8 for complete brace application chart.

5 **Bed Extension Parts**
Brace Kit, BX12 to 1996+ LT30/LT30HD/LT60HD

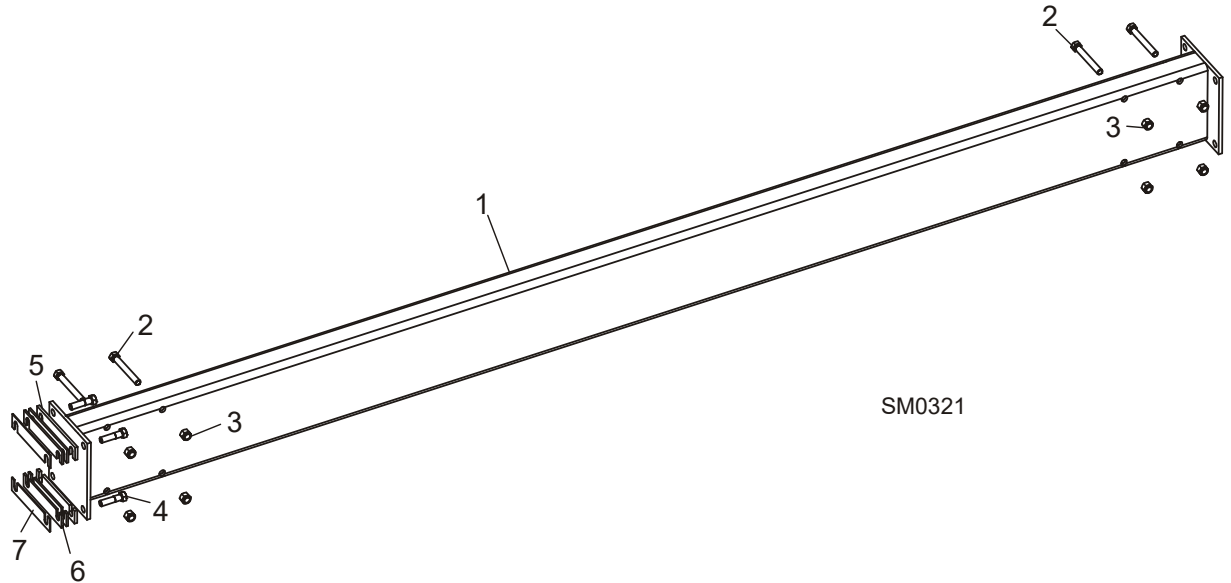
5.19 Brace Kit, BX12 to 1996+ LT30/LT30HD/LT60HD



REF	DESCRIPTION (◆ Indicates Parts Available In Assemblies Only)	PART #	QTY.	
	BRACE KIT, LT30/LT30HDLT60HD BX12 (FOR 1996+ MODEL SAWMILL ONLY ¹)	014271	1	
1	Brace Weldment, LT30 Bed Extension	014265	1	
2	Brace Weldment, BX12	014267	1	
3	Bolt, 1/2-13 x 1 1/2" Hex Head Grade 5	F05008-33	4	
4	Washer, 1/2" SAE Flat	F05011-2	4	
5	Nut, 1/2-13 Hex Nylon Lock	F05010-8	4	
6	Bolt, 3/8-16 x 1" Hex Head	F05007-7	8	
7	Nut, 3/8-16 Hex Nylon Lock	F05010-10	8	

¹ See Section 1.8 for complete brace application chart.

5.20 Brace Kit, BX12 to 1992-95 LT30/LT30HD



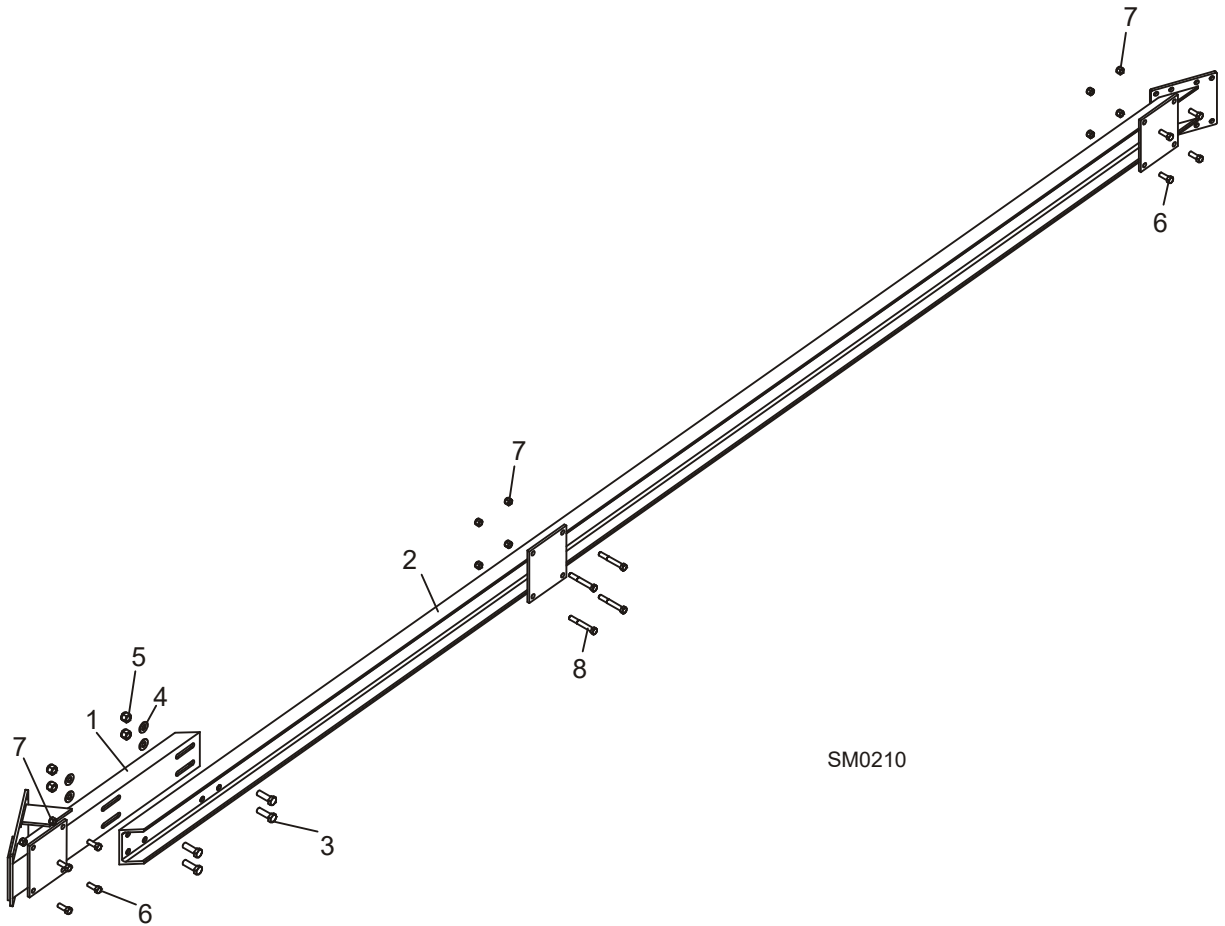
REF	DESCRIPTION (◆ Indicates Parts Available In Assemblies Only)	PART #	QTY.	
	BRACE KIT, LT30/LT30HD BX12 (FOR 1992-95 MODEL SAWMILL ONLY ¹)	W10338	1	
1	Brace Weldment, 92-95 LT30 Bed Extension	W10339	1	
2	Bolt, 3/8-16 x 3" Hex Head Full Thread	F05007-1	8	
3	Nut, 3/8-16 Hex Nylon Lock	F05010-10	8	
4	Bolt, 3/8-16 x 1 1/2" Hex Head Grade 5	F05007-78	4	
5	Shim, 7GA BedX	S12025-7	2	
6	Shim, 11GA BedX	S12025-11	4	
7	Shim, 16GA BedX	S12025-16	2	

¹ See Section 1.8 for complete brace application chart.

5 Bed Extension Parts

Brace Kit, BX24 to 1996+ LT30/LT30HD/LT60HD

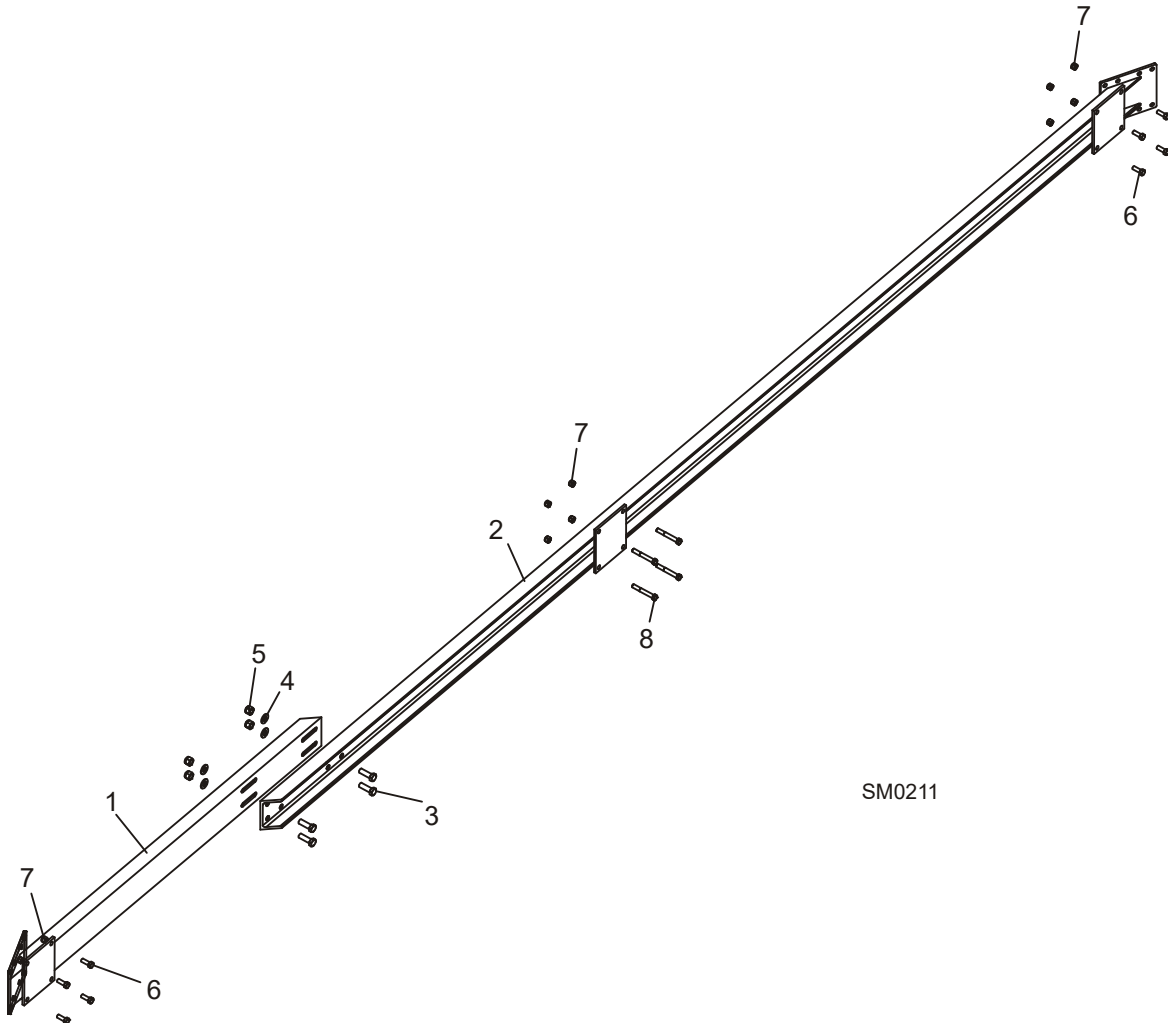
5.21 Brace Kit, BX24 to 1996+ LT30/LT30HD/LT60HD



REF	DESCRIPTION (◆ Indicates Parts Available In Assemblies Only)	PART #	QTY.	
	BRACE KIT, LT30/LT30HD/LT60HD BX24 (FOR 1996+ MODEL SAWMILL ONLY ¹)	014273	1	
1	Brace Weldment, LT30 Bed Extension	014265	1	
2	Brace Weldment, BX24	014268	1	
3	Bolt, 1/2-13 x 1 1/2" Hex Head Grade 5	F05008-33	4	
4	Washer, 1/2" SAE Flat	F05011-2	4	
5	Nut, 1/2-13 Hex Nylon Lock	F05010-8	4	
6	Bolt, 3/8-16 x 1" Hex Head	F05007-7	8	
7	Nut, 3/8-16 Hex Nylon Lock	F05010-10	12	
8	Bolt, 3/8-16 x 2 3/4" Hex Head	F05007-29	4	

¹ See Section 1.8 for complete brace application chart.

**5.22 Brace Kit, BX24 to 1996+
LT35/LT35HD/LT40/LT40HD/LT50HD/LT70HD**

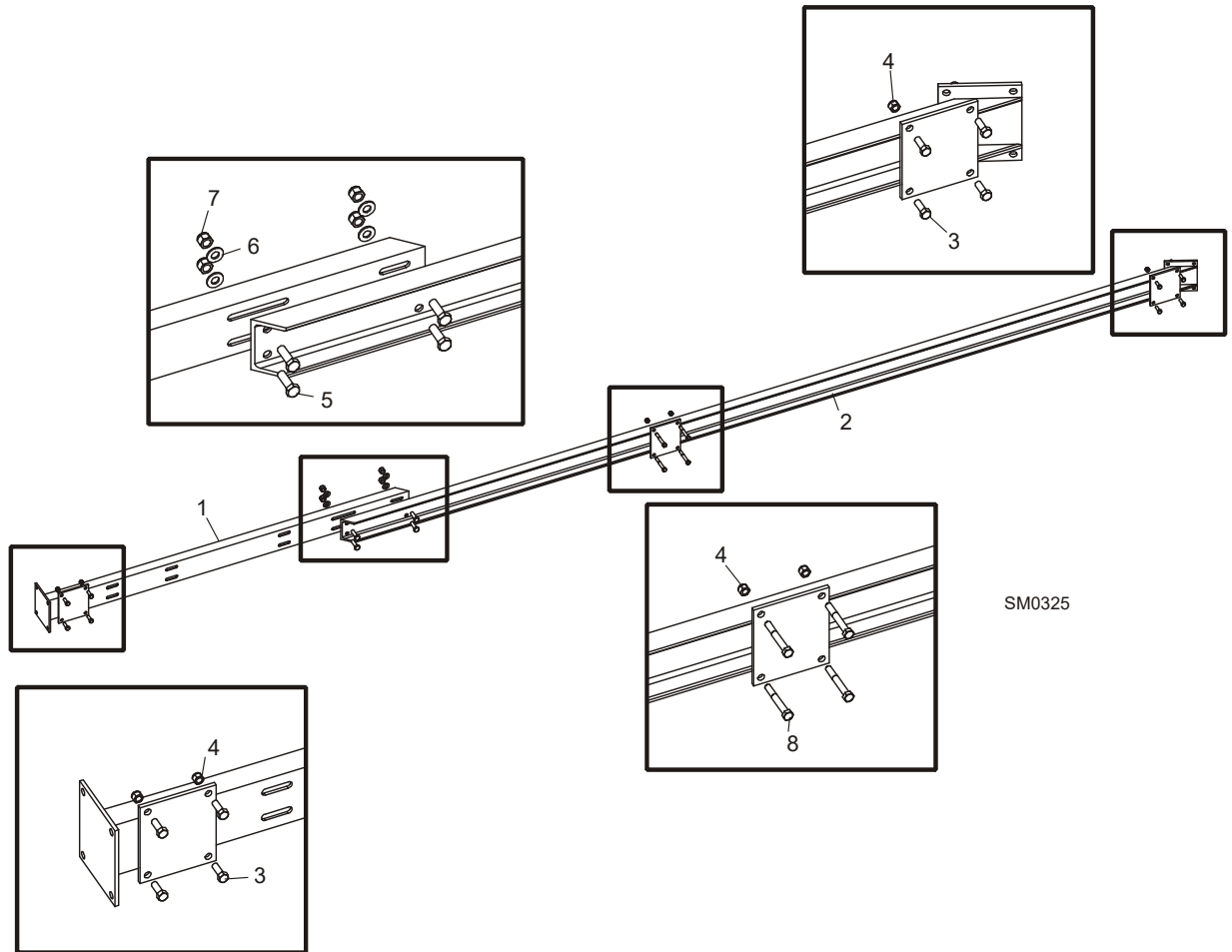


REF	DESCRIPTION (◆ Indicates Parts Available In Assemblies Only)	PART #	QTY.	
	BRACE KIT, LT35/LT35HD/LT40/LT40HD/LT70HD BX24 (FOR 1996+ MODEL SAW-MILL ONLY ¹)	014272	1	
1	Brace Weldment, LT40 Bed Extension	014264	1	
2	Brace Weldment, BX24	014268	1	
3	Bolt, 1/2-13 x 1 1/2" Hex Head Grade 5	F05008-33	4	
4	Washer, 1/2" SAE Flat	F05011-2	4	
5	Nut, 1/2-13 Hex Nylon Lock	F05010-8	4	
6	Bolt, 3/8-16 x 1" Hex Head	F05007-7	8	
7	Nut, 3/8-16 Hex Nylon Lock	F05010-10	12	
8	Bolt, 3/8-16 x 2 3/4" Hex Head	F05007-29	4	

¹ See Section 1.8 for complete brace application chart.

5 **Bed Extension Parts**
Brace Kit, BX24 to 1992-95 LT30/LT40/LT30HD/LT40HD

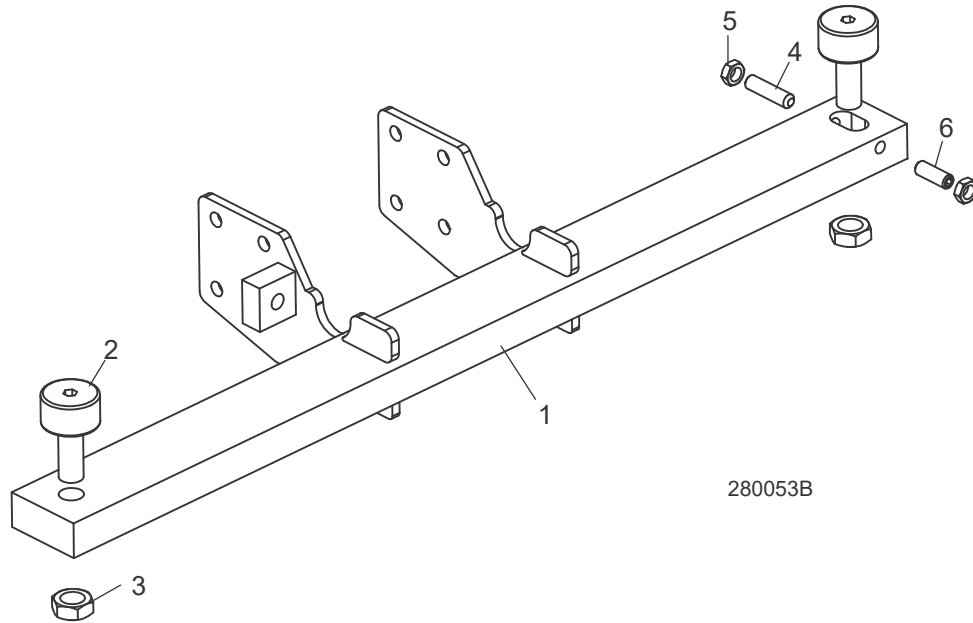
5.23 Brace Kit, BX24 to 1992-95 LT30/LT40/LT30HD/LT40HD



REF	DESCRIPTION (◆ Indicates Parts Available In Assemblies Only)	PART #	QTY.
	BRACE KIT, LT30/LT40/LT30HD/LT40HD BX24 (FOR 1992-95 MODEL SAWMILL ONLY ¹)	014269	1
1	Brace Weldment, 92-95 LT30/LT40 Bed Extension	014266	1
2	Brace Weldment, 96 BX24	014268	1
3	Bolt, 3/8-16 x 1" Hex Head	F05007-7	8
4	Nut, 3/8-16 Hex Nylon Lock	F05010-10	12
5	Bolt, 1/2-13 x 1 1/2" Hex Head Grade 5	F05008-33	4
6	Washer, 1/2" SAE Flat	F05011-2	4
7	Nut, 1/2-13 Hex Nylon Lock	F05010-8	4
8	Bolt, 3/8-16 x 2 3/4" Hex Head	F05007-29	4

¹ See Section 1.8 for complete brace application chart.

5.24 Bed Extension Bracket Assembly (LT28/LT35)



REF	DESCRIPTION (◆ Indicates Parts Available In Assemblies Only)	PART #	QTY.
	BRACKET ASSEMBLY, LT28/LT35 LOWER CAM BED EXTENSION	057924	1
1	Bearing Weldment, LT28/LT35 Lower Cam	057920	1
2	Bearing, 1 1/2" Cam Follower	012797	2
3	Nut, 5/8-18 Hex Jam	F05010-11	2
4	Screw, 3/8-24x1 SHFP Set SS	F05007-184	1
5	Nut, 3/8-24 Hex Jam	F05010-22	2
6	Screw, 3/8-24x1 1/4 SHFP SS Set	F05007-96 ¹	1

¹ Added F05007-96 to improve range of adjustment; changed quantity of F05007-184 from 2 to 1 (3/22/2019).