

Hidroirma Valve Assembly Parts Breakdown

LT30HD rev. G6.00+
LT40HD rev. G6.00+
LT30HD Super rev. G1.00+
LT40HD Super rev. G1.00+

Form 575

1.1 Hidroirma Valve Assembly

REF	DESCRIPTION (◆ Indicates Parts Available In Assemblies Only)	PART #	W-M PART #	QTY.
	VALVE ASSEMBLY, HIDROIUMA HDS10/6 K01 151/MOD. 6/042A7	per specs	015260	1
1	HDS10 T11 P1T1 SAE6 RV Head With Relief Valve and O-Ring	731060030	N/A	1
2	Valve, Pressure Relief	200787400740	036030	1
3	3068 OR Seal-90SH	514238511	see 015887	21
4	112 OR Seal-90SH	514237411	see 015887	7
5	HDS10 Check Valve Assembly	757601200	N/A	6
6	Valve, Check w/O-Ring	200741160120	036031	4
6A	Valve, Hidroirma	200741260024	036032	4
7	Valve, Check Body w/O-Ring	741160010	036033	2
7A	Valve, Hidroirma	741060075	036034	1
7B	Valve, Hidroirma	200741260026	036035	1
8	Valve, Check	200787601920	016288	4
9	14.3 x 18 x 1.5 Soft Copper Washer	200530751432	036036	4
10	M14 x 1.5 DIN908 Screw Plug	527306401	N/A	4
11	3056 or Seal-70SH	514137910	see 015887	12
12	HDM10 Flanged Washer	601800060	N/A	6
13	Spacer	653200570	N/A	6
14	AR Type Spool HDS10	651201171	N/A	4
15	A Type Spool HDS10	651201010	N/A	2
16	L100-L300 Lever Assembly	707110200	015888	6
17	M5 X 0.8 X 45UNI6107 Single-Slot Screw	523202606	015889	12
18	Spring Cap	666000190	N/A	12
19	Spring	662400500	015890	6
20	Pin Assembly, Micro Positioner w/O-Ring	321021012	036044	6
21				
22	HDM10 Cartridge for Micro Positioner	607201090	N/A	6
23	HDM10 Cap Micro Positioner	607200540	015891	6
24	002.5 x 023.8 BR GR.5 Parallel Pin	532140253	015892	6
25	HD160 Microswitch Stylus	679200020	015893	7
26	4 x 0.7 x 6DIN913 Hexagon Socket Screw	22UD44	036037	7
27	Bracket, Micro Support	200677200850	036039	5
28	Bracket, Micro Support	200677200850	036038	1
29	Rod, Micro Switch Lever	200676200120	036040	1
30	Microswitch Spring	662401230	015894	1
31	HDS10 P11 SP.(CL.2175) End Cover	730090010	N/A	1
32	Foot Bracket	677200420	N/A	2
33	Rod, Tie	200683200450	036041	3
34	Washer, Curved Spring	200530390821	036042	4
35	Nut, Tie Rod	200525203551	036043	3
36	HANDLE, INNER HIDROIUMA VALVE LEVER (SOLD SEPARATELY)	702410240	015895	4
	HANDLE, OUTER HIDROIUMA VALVE LEVER (SOLD SEPARATELY)	702410250	015896	2
	O-RING KIT, INCLUDES (3) #3, (1) #4, (2) #11, (1) #21 (SOLD SEPARATELY)	169399B01	015887	1

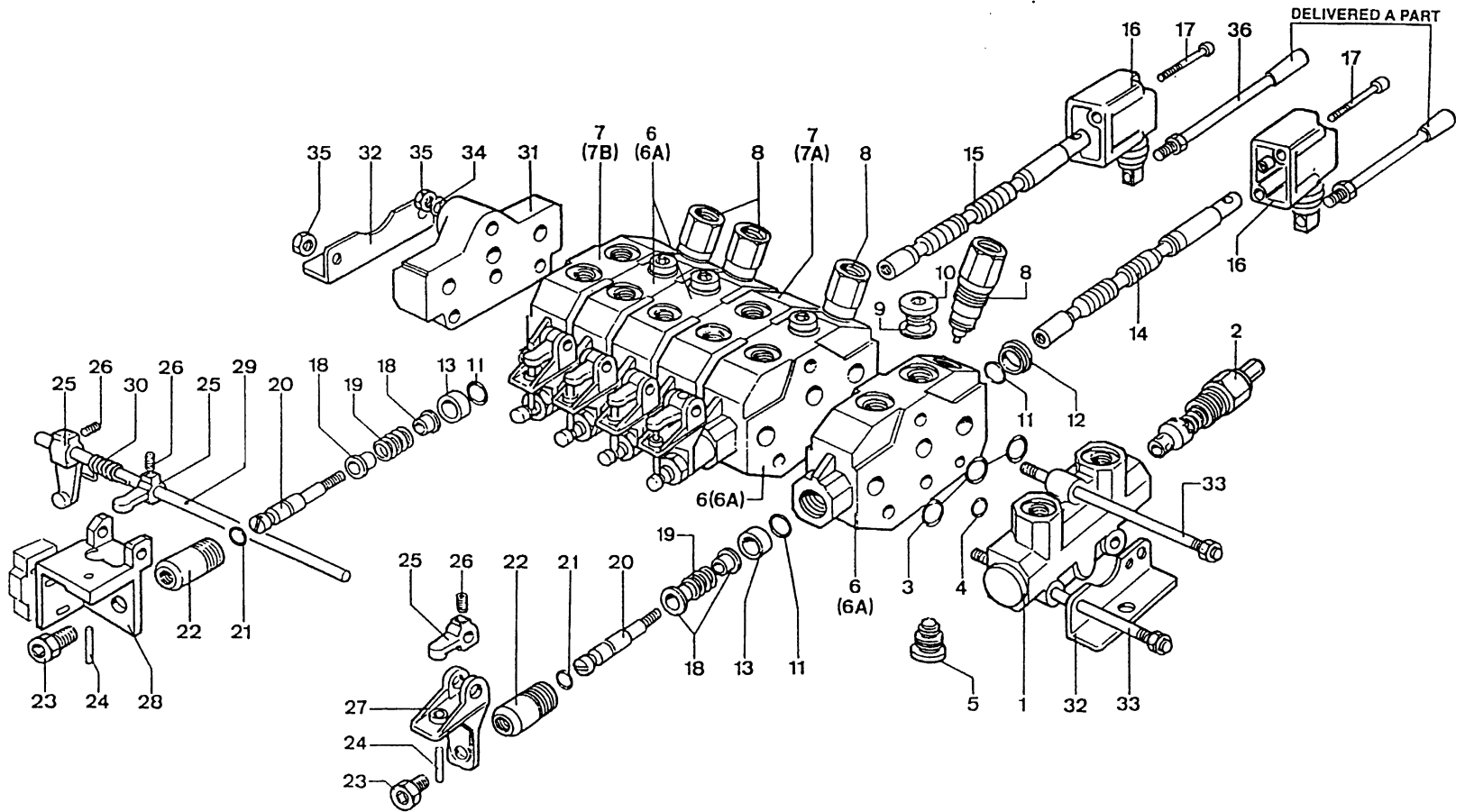


FIG. 1-1