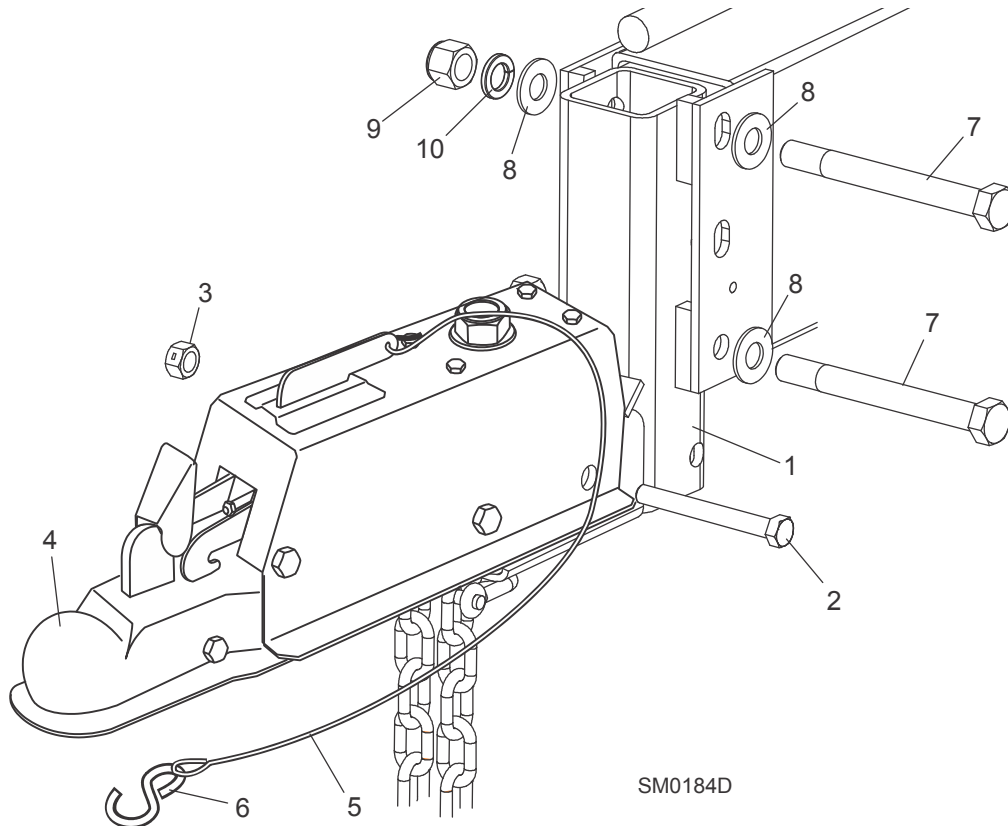


SECTION 2 PARTS LISTS

2.1 Trailer Hitch Assembly, Surge Brake



REF	DESCRIPTION (◆ Indicates Parts Available In Assemblies Only)	PART #	QTY.
1	HITCH WELDMENT, SURGE BRAKE	015398	1
	Chain, Safety w/Hook	A07563	2
2	Bolt, 1/2-13 X 4 1/2" Hex Head Grade 5	F05008-35	2
3	Nut, 1/2-13 Hex Nylon Lock	F05010-8	2
4	ACTUATOR, DICO SURGE BRAKE HITCH	P09840	1
	Bolt, Surge Brake Latch	P10119	1
	Bracket, Surge Brake Latch (Lever Hitch)	P12816	1
	Spring, Surge Brake Latch (Lever Hitch)	P12814	1
5	Cable Assembly, Surge Brake Safety (Lever Hitch)	P12815	1
6	Hook, Surge Brake Safety Cable	P12075	1
	Damper, Surge Brake	P10124	1
	Fitting, Surge Brake Hitch Line	P10370	1
7	BOLT, 58-11 X 6" HEX HEAD GRADE 5	F05009-22	2

2

Parts Lists

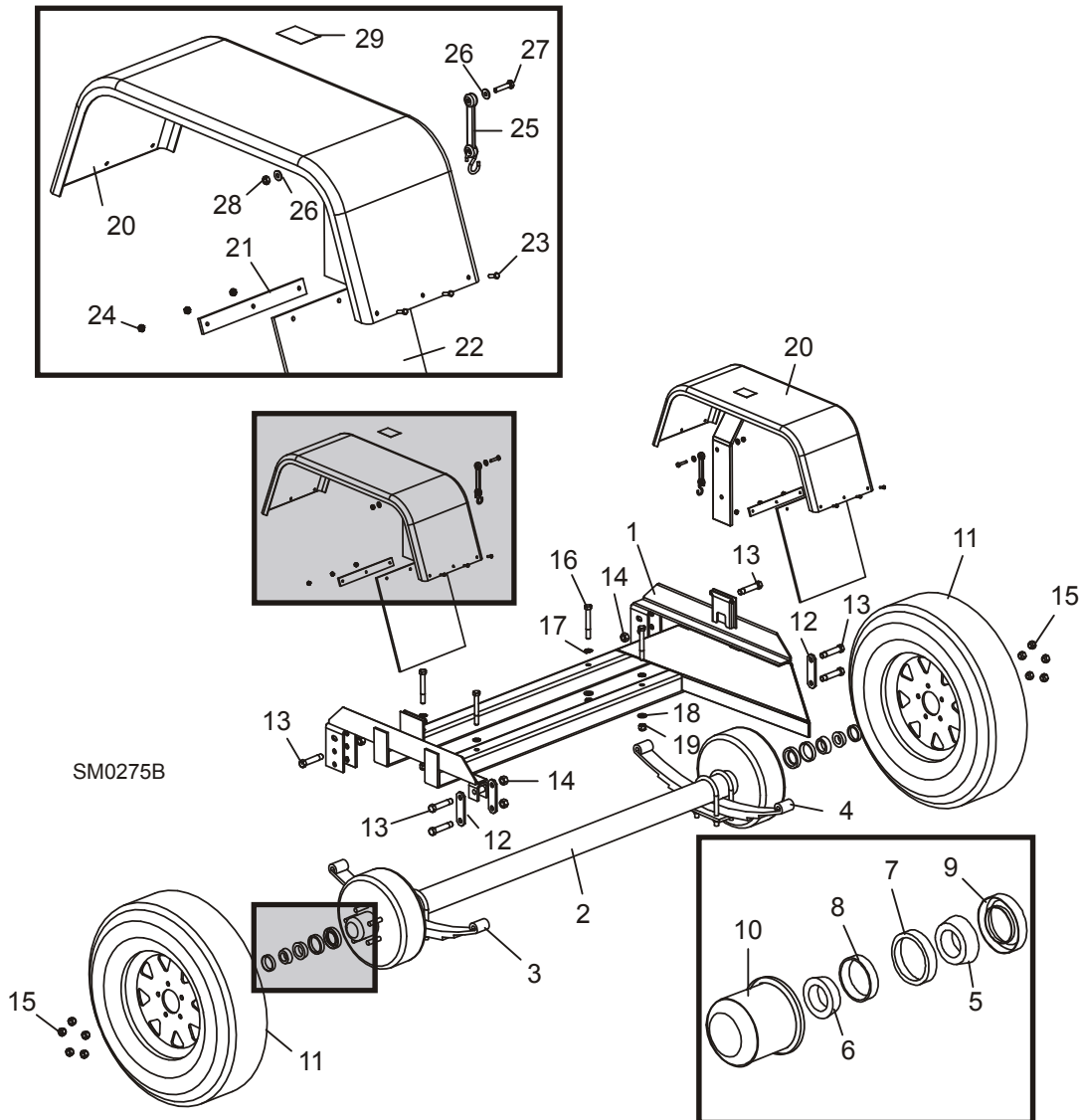
Trailer Hitch Assembly, Surge Brake

8	WASHER, 5/8" SAE FLAT	F05011-5 ¹	4	
9	NUT, 5/8-11 NYLON LOCK	F05010-34	2	
10	WASHER, 5/8" SPLIT LOCK	F05011-27	2	
	TOWING EXTENSION KIT (NOT SHOWN, OPTIONAL)	K12571	1	
	Bolt, 5/8-11 x 2 1/2" Hex Head Grade 5	F05009-20	2	◆
	Washer, 5/8" Split Lock	F05011-27	2	
	Washer, 5/8" SAE Flat	F05011-5	2	
	Bracket, Safety Chain Bumper	S12289-N	2	◆
	Nut, 5/8-11 Free Hex	F05010-5	2	
	DECAL, PINCH POINT DANGER	P10287	1	
	DECAL, BEFORE TOWING DANGER (HYDRAULIC MILLS ONLY)	P11809	1	

¹ Added LT30HD/40HD Super rev. H1.00+.

2.2 Trailer Axle Assembly, Surge Brake

LT30 Super	Rev. H4.00+
LT40 Super	Rev. H5.00+
LT30HD	Rev. H8.00+
LT40HD	Rev. H8.00+
LT30HD Super	Rev. H8.00+
LT40HD Super	Rev. H8.00+
LT50HD	Rev. A1.00+



REF	DESCRIPTION (◆ INDICATES PARTS AVAILABLE IN ASSEMBLIES ONLY)	PART #	QTY.
	◆ PLUMBING KIT, LT30/60 LENGTH SURGE BRAKE	K10048	1
	◆ PLUMBING KIT, LT40/70 LENGTH SURGE BRAKE	K10049	1

3

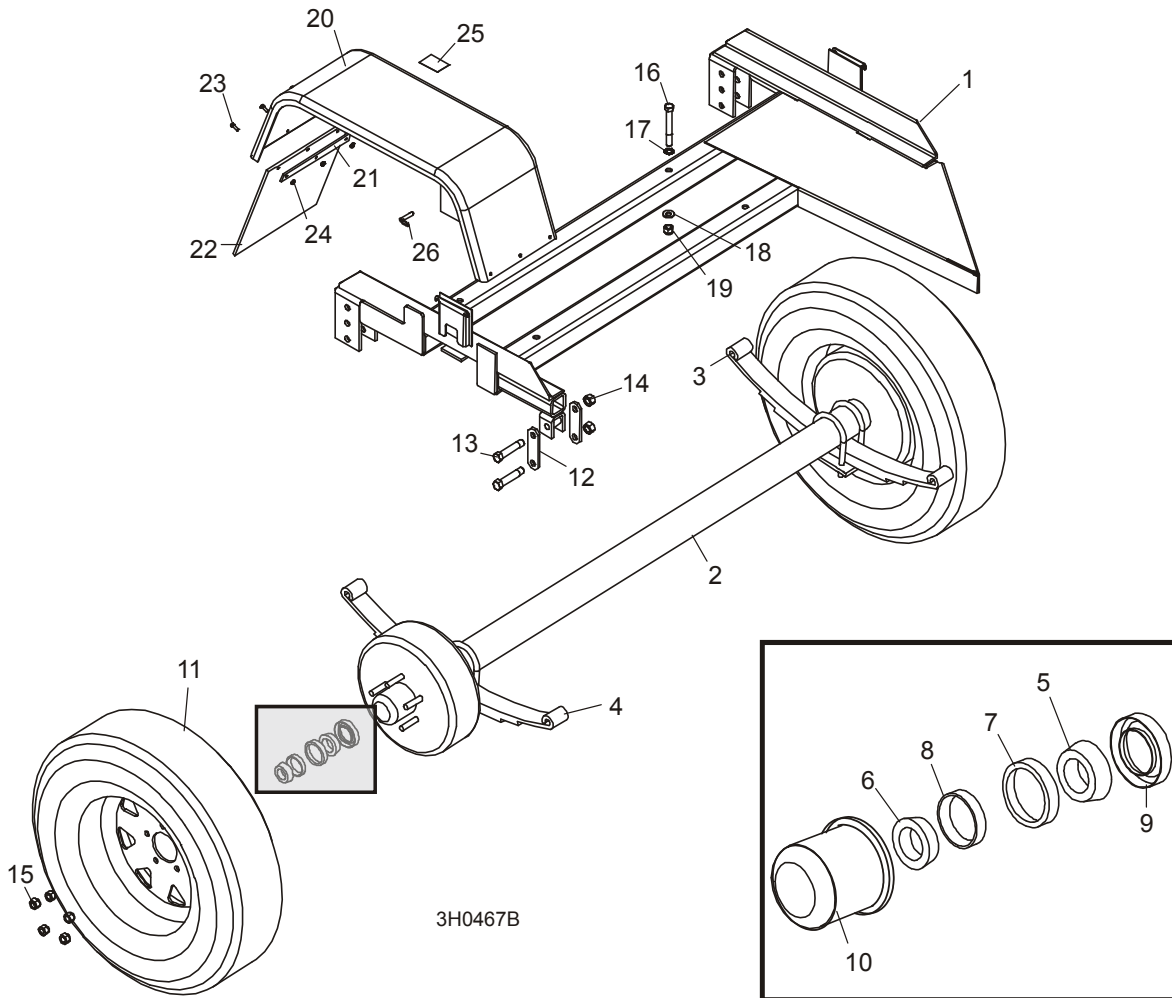
Parts Lists

Trailer Axle Assembly, Surge Brake

AXLE ASSEMBLY, 5200 LB SURGE BRAKE		014681	1	
1	Frame Weldment, Trailer Axle Painted (SUPER SURGE BRAKE)	015204	1	◆
	Mount Bracket, Trailer Fender (requires welding)	W09784	2	
2	Axle, 5200 Lb Drop Surge (SUPER SURGE BRAKE)	014679	1	
3	Spring, 2600 Lb. Dexter Leaf Drive Side (SUPER SURGE BRAKE)	015695	1	
4	Spring, 3000 Lb. Dexter Leaf Idle Side (SUPER SURGE BRAKE)	015694	1	
	Bearing Kit, Sawmill Axle Spindle (SUPER SURGE BRAKE)	015696	1	
5	Bearing, Dexter #22580	015697	1	◆
6	Bearing, Dexter #LM67048	015699	1	◆
7	Race, Inner Dexter #25520	015698	1	◆
8	Race, Outer Dexter #LM67010	015700	1	◆
9	Seal, Wheel Bearing Dust Dexter #10-1	015701	1	
10	Cap, Wheel Bearing Dust (SUPER SURGE BRAKE)	015702	2	
	Shoe/Lining Kit, 10" x 2 1/4" Brake	010180	2	
11	Wheel Assembly, Goodyear ST225/75R15 (SUPER SURGE BRAKE)	015988	2	
12	Plate, Trailer Axle Shackle	M07528	4	
13	Bolt, 9/16-8 X 3" Shackle	P04644	6	
14	Nut, 9/16-8 Shackle	P04643	6	
15	Nut, 1/2-20 Wheel Lug	P04646	10	
16	BOLT, 1/2-13 X 4" HEX HEAD	F05008-26	4	
17	WASHER, 1/2" EXTERIOR STAR	F05011-39	4	
18	WASHER, 1/2" SAE FLAT	F05011-2	4	
19	NUT, 1/2-13 HEX NYLON LOCK	F05010-8	4	
	FENDER ASSEMBLY, SUPER W/MUD FLAP	015950	2	
20	Fender Weldment, Trailer Wheel (Super Surge Brake)	015788	2	
21	Plate, Mud Flap Retaining	015787	2	
22	Flap, Mud	015758	2	
23	Screw, #10-24 x 5/8" Hex Head	F05004-18	6	
24	Nut, #10-24 Self-Locking Hex	F05010-14	6	
25	Strap, 6" Rubber	016542	2	
26	Washer, 1/4" SAE Flat	F05011-11	2	
27	Bolt, 1/4-20 x 1 1/4" Hex Head Full Thread	F05005-3	1	
28	Nut, 1/4-20 Lock	F05010-21	1	
29	DECAL, FENDER DAMAGE CAUTION	S11761	2	
	DECAL, PINCH POINT DANGER	P10287	1	
	DECAL, REMOVE FENDERS (CONTROL BOX)	076607	1	

2.3 Trailer Axle Assembly, Surge Brake

LT30HD Rev. G1.00 - H7.00
 LT40HD Rev. G1.00 - H7.00
 LT30HD Super Rev. G1.00 - H7.00
 LT40HD Super Rev. G1.00 - H7.00



REF	DESCRIPTION (◆ INDICATES PARTS AVAILABLE IN ASSEMBLIES ONLY)	PART #	QTY.	
	PLUMBING KIT, LT30/60 LENGTH SURGE BRAKE	K10048	1	
	PLUMBING KIT, LT40/70 LENGTH SURGE BRAKE	K10049	1	
	AXLE ASSEMBLY, 5200 LB SURGE BRAKE	014681	1	
1	Frame Weldment, Trailer Axle Painted (SUPER SURGE BRAKE)	015204	1	◆
	Mount Bracket, Trailer Fender (requires welding)	W09784	2	
2	Axle, 5200 Lb Drop Surge (SUPER SURGE BRAKE)	014679	1	
3	Spring, 3000 Lb. Dexter Leaf Idle Side (SUPER SURGE BRAKE)	015694	1	
4	Spring, 2600 Lb. Dexter Leaf Drive Side (SUPER SURGE BRAKE)	015695	1	

3

Parts Lists

Trailer Axle Assembly, Surge Brake

	Bearing Kit, Sawmill Axle Spindle (SUPER SURGE BRAKE)	015696	1	
5	Bearing, Dexter #22580	015697	1	◆
6	Bearing, Dexter #LM67048	015699	1	◆
7	Race, Inner Dexter #25520	015698	1	◆
8	Race, Outer Dexter #LM67010	015700	1	◆
9	Seal, Wheel Bearing Dust Dexter #10-1	015701	1	
10	Cap, Wheel Bearing Dust (SUPER SURGE BRAKE)	015702	2	
	Shoe/Lining Kit, 10" x 2 1/4" Brake	010180	2	
11	Wheel Assembly, Goodyear ST225/75R15 (SUPER SURGE BRAKE)	015988 ¹	2	
12	Plate, Trailer Axle Shackle	M07528	4	
13	Bolt, 9/16-8 X 3" Shackle	P04644	6	
14	Nut, 9/16-8 Shackle	P04643	6	
15	Nut, 1/2-20 Wheel Lug	P04646	10	
16	BOLT, 1/2-13 X 4" HEX HEAD	F05008-26	4	
	WASHER, 1/2" EXTERIOR STAR	F05011-39	4	
17	WASHER, 1/2" SAE FLAT	F05011-2	4	
18	NUT, 1/2-13 HEX NYLON LOCK	F05010-8	4	
	FENDER ASSEMBLY, SUPER W/MUD FLAP	015950	2	
19	Fender Weldment, Trailer Wheel (Super Surge Brake)	015788 ²	2	
20	Plate, Mud Flap Retaining	015787	2	
21	Flap, Mud	015758	2	
22	Screw, #10-24 x 5/8" Hex Head	F05004-18	6	
23	Nut, #10-24 Self-Locking Hex	F05010-14	6	
24	DECAL, FENDER DAMAGE CAUTION	S11761	2	
	PIN, 5/16" X 1" DETAINING	F05012-45	2	

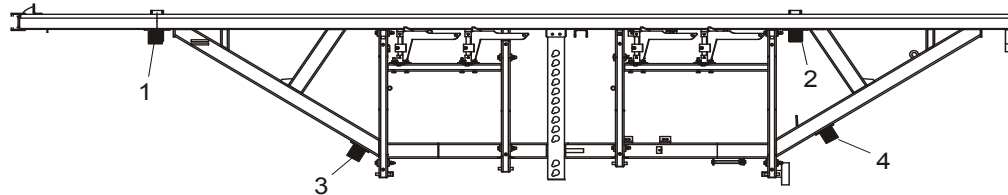
¹ 015988 wheel assembly replaces H78x15 LRD wheel assembly (015448) originally supplied before LT30HD/40HD Super Rev. G7.00.

² Fender revised to increase clearance between brace and tire; mud flaps added. Replaces 015112 originally supplied until LT30 Super rev. F9, LT40 Super rev. G1, LT30HD Super and LT40HD Super rev. G3.

2.4 Outriggers

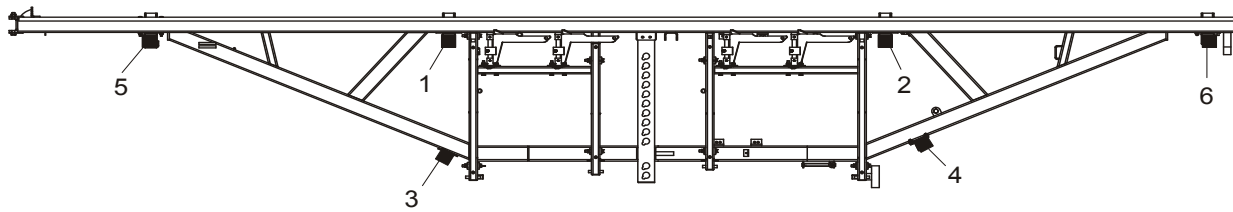
LT70HD

Rev. A1.00+



LT25/LT30/LT30HD/LT60HD (16' Bed)

230026-1C



LT25L/LT27/LT40/LT40HD/LT70HD (24' Bed)

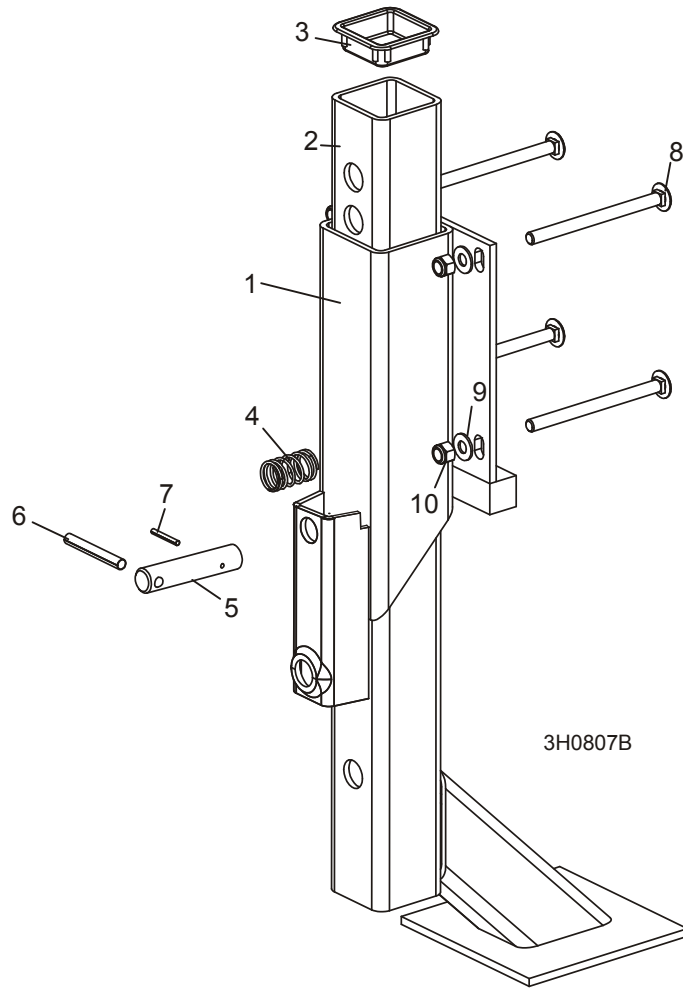
REF	DESCRIPTION (◆ INDICATES PARTS AVAILABLE IN ASSEMBLIES ONLY)	PART #	QTY.
1	OUTRIGGER ASSEMBLY, LONG (See Section 2.5)	012997	1
	OUTRIGGER ASSEMBLY, LONG (SUPER LT30HD ONLY) (See Section 2.10)	016414	1
2	OUTRIGGER ASSEMBLY, LONG (See Section 2.5)	012997	1
3	OUTRIGGER ASSEMBLY, SHORT (See Section 2.11)	A04278	1
4	OUTRIGGER ASSEMBLY, SHORT W/JACK HOLDER (See Section 2.15)	A09475	1
5	OUTRIGGER ASSEMBLY, LONG FRONT (See Section 2.8)	015143	1
6	OUTRIGGER ASSEMBLY, LONG REAR (See Section 2.13)	A12083	1

3 Parts List

Outrigger Assembly, Long

2.5 Outrigger Assembly, Long

LT30HD Rev. H6.00+
 LT40HD Rev. H6.00+
 LT30HD Super Rev. H6.00+
 LT40HD Super Rev. H6.00+
 LT50HD Rev. A1.00+
 LT70HD Rev. A1.00+



REF	DESCRIPTION (◆ INDICATES PARTS AVAILABLE IN ASSEMBLIES ONLY)	PART #	QTY.
	OUTRIGGER ASSEMBLY, LONG	012997 ¹	1/2
1	Guide, Long Outrigger Guide	012996	1
2	Leg, Outrigger	016401	1
3	Cap, Outrigger Leg	P09926	1
4	Spring, Outrigger Pin	016145	1
	Pin Kit, 3/4" Outrigger Pull	016148	1

5	Pin, 3/4" Outrigger Pull	016147	1	◆
6	Pin, 5/16" X 2 1/2" Roll	F05012-47	1	
7	Pin, 3/16" X 1 3/4" Roll	F05012-103 ²	1	
	Pin, 1/8" x 1 1/4" Cotter	F05012-59 ²	1	
8	BOLT, 3/8-16 X 5" CARRIAGE HEAD	F05007-113	4/8	
9	WASHER, 3/8" SAE FLAT	F05011-3	4/8	
10	NUT, 3/8-16 HEX NYLON LOCK	F05010-10	4/8	

¹ Washers (2) removed from spring to improve outrigger locking pin operation (LT30HD/40HD Rev. H6.01, LT30HD/40HD Super Rev. H6.01). Washers may be removed on previous revisions with 3/4" diameter locking pins to improve operation.

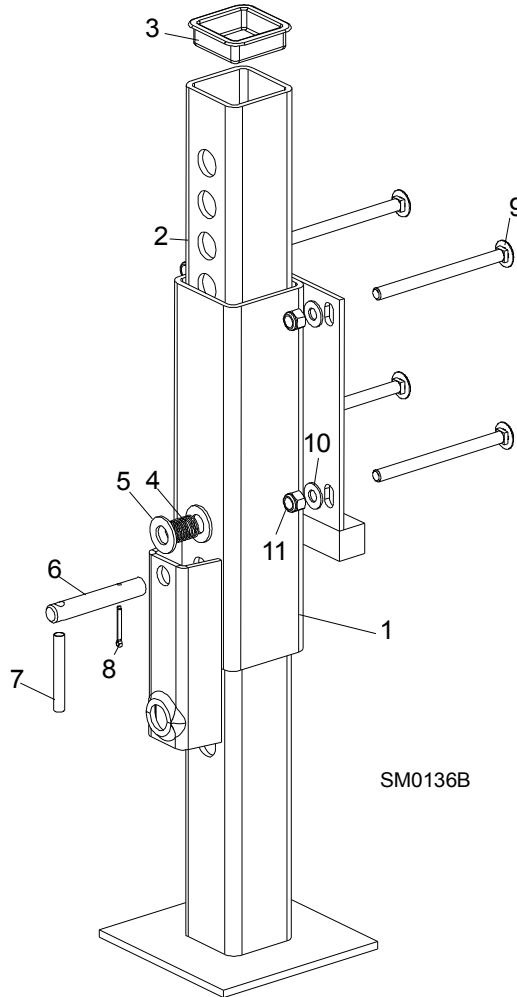
² Use F05012-103 3/16" X 1 3/4" Roll Pin for LT30HD/40HD H6.02, LT30HD/40HD Super H6.02 and later revision mills. Use F05012-59 1/8" x 1 1/4" Cotter Pin for all prior revision mills.

3 Parts List

Outrigger Assembly, Long

2.6 Outrigger Assembly, Long

LT30HD Rev. G9.00 - H5.00
 LT40HD Rev. G9.00 - H5.00
 LT30HD Super Rev. H1.00 - H5.00
 LT40HD Super Rev. H1.00 - H5.00



REF	DESCRIPTION (◆ INDICATES PARTS AVAILABLE IN ASSEMBLIES ONLY)	PART #	QTY.
	OUTRIGGER ASSEMBLY, LONG	012997 ¹	1/2
1	Guide, Long Outrigger Guide	012996	1
2	Leg, Outrigger	W07537	1
3	Cap, Outrigger Leg	P09926	1
4	Spring, Outrigger Pin	016145	1
5	Washer, 3/4" SAE Flat	F05011-62 ²	2
	Pin Kit, 3/4" Outrigger Pull	016148	1

Parts List 3
Outrigger Assembly, Long

6	Pin, 3/4" Outrigger Pull	016147	1	◆
7	Pin, 5/16" X 2 1/2" Roll	F05012-47	1	
8	Pin, 1/8" X 1 1/4" Cotter	F05012-59	1	
9	BOLT, 3/8-16 X 5" CARRIAGE HEAD	F05007-113	4/8	
10	WASHER, 3/8" SAE FLAT	F05011-3	4/8	
11	NUT, 3/8-16 HEX NYLON LOCK	F05010-10	4/8	

¹ Outrigger assembly now includes extended leg (11/99) to improve sawmill stability ([See Section 2.5](#)).

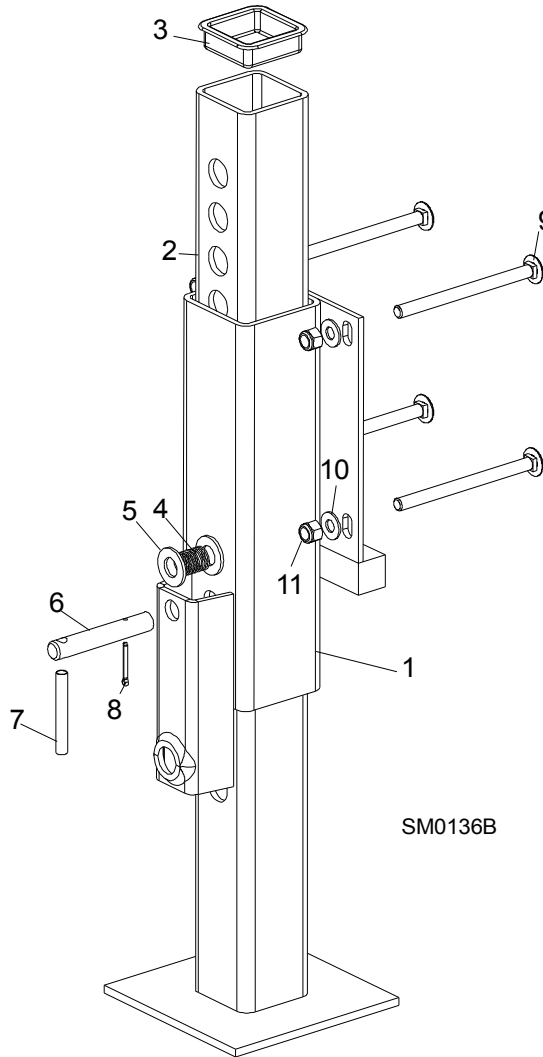
² Washers removed to improve outrigger locking pin operation (12/99). Washers may be removed on previous revisions with 3/4" diameter locking pins to improve operation.

3 Parts List

Outrigger Assembly, Long

2.7 Outrigger Assembly, Long

LT30HD *Rev. G1.00 - G8.00*
LT40HD *Rev. G1.00 - G8.00*
LT30HD Super *Rev. G1.00 - G9.00*
LT40HD Super *Rev. G1.00 - G9.00*



REF	DESCRIPTION (◆ INDICATES PARTS AVAILABLE IN ASSEMBLIES ONLY)	PART #	QTY.
	OUTRIGGER ASSEMBLY, LONG	012997 ¹	1/2
1	Guide, Long Outrigger Guide	012996	1
2	Leg, Outrigger	W07537 ²	1
3	Cap, Outrigger Leg	P09926	1
4	Spring, Outrigger Pin	P04282 ¹	1

Parts List 3
Outrigger Assembly, Long

5	Washer, 9/16" SAE Flat	F05011-8 ¹	2	
	Pin Kit, Outrigger Pull	A12232 ¹	1	
6	Pin, Outrigger Pull	S12261	1	◆
7	Pin, 5/16" X 2 1/2" Roll	F05012-47	1	
8	Pin, 1/8" X 1" Cotter	F05012-1	1	
9	BOLT, 3/8-16 X 5" CARRIAGE HEAD	F05007-113	4/8	
10	WASHER, 3/8" SAE FLAT	F05011-3	4/8	
11	NUT, 3/8-16 HEX NYLON LOCK	F05010-10	4/8	

¹ Outrigger upgraded with 3/4" retaining pin hardware 9/98 ([See Section 2.6](#)).

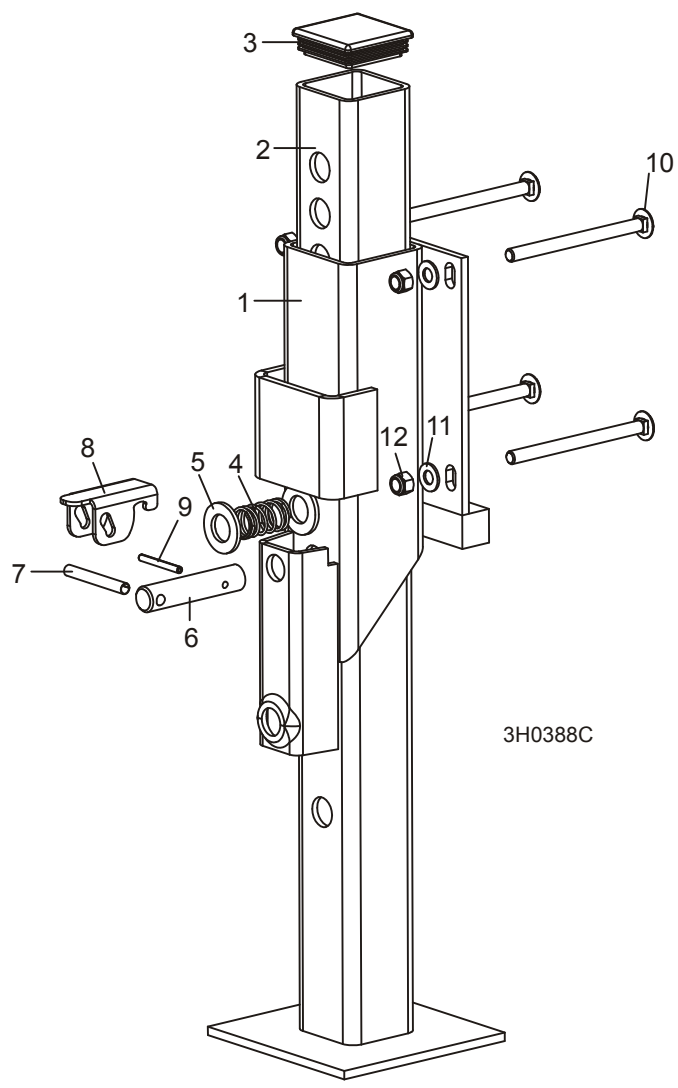
² Outrigger upgraded with extended leg 11/99 ([See Section 2.5](#)).

3 Parts List

Outrigger Assembly, Front

2.8 Outrigger Assembly, Front

LT40HD **Rev. G9.00+**
LT40HD Super **Rev. H1.00+**
LT50HD **Rev. A1.00+**
LT70HD **Rev. A1.00+**



REF	DESCRIPTION (◆ INDICATES PARTS AVAILABLE IN ASSEMBLIES ONLY)	PART #	QTY.	
	OUTRIGGER ASSEMBLY, FRONT	015143	1	
1	Guide, Front Outrigger '97 Super	015144	1	
2	Leg, Outrigger	W07537	1	
3	Cap, Outrigger Leg	P09926	1	

Parts List 3
Outrigger Assembly, Front

4	Spring, Outrigger Pin	016145	1	
5	Washer, 3/4" SAE Flat	F05011-62 ¹	2	
	Pin Assembly, Outrigger Pull w/Lock	007736 ²	1	
6	Pin, 3/4" Outrigger Pull	016147	1	◆
7	Pin, 5/16" X 2 1/2" Roll	F05012-47	1	
8	Plate, Outrigger Pin Lock	064001	1	
9	Pin, 3/16" X 1 1/2" Roll	F05012-17 ³	1	
	Pin, 1/8" x 1 1/4" Cotter	F05012-59 ³	1	
10	BOLT, 3/8-16 X 5" CARRIAGE HEAD	F05007-113	4/8	
11	WASHER, 3/8" SAE FLAT	F05011-3	4/8	
12	NUT, 3/8-16 HEX NYLON LOCK	F05010-10	4/8	

¹ Washers removed to improve outrigger locking pin operation (LT30HD/40HD Rev. H6.01, LT30HD/40HD Super Rev. H6.01). Washers may be removed on previous revisions with 3/4" diameter locking pins to improve operation.

² Pin Assembly 007736 with Lock Plate 064001 replaces Pin Kit 016148 on Front and Rear outrigger assemblies to prevent pin from vibrating loose (12/09).

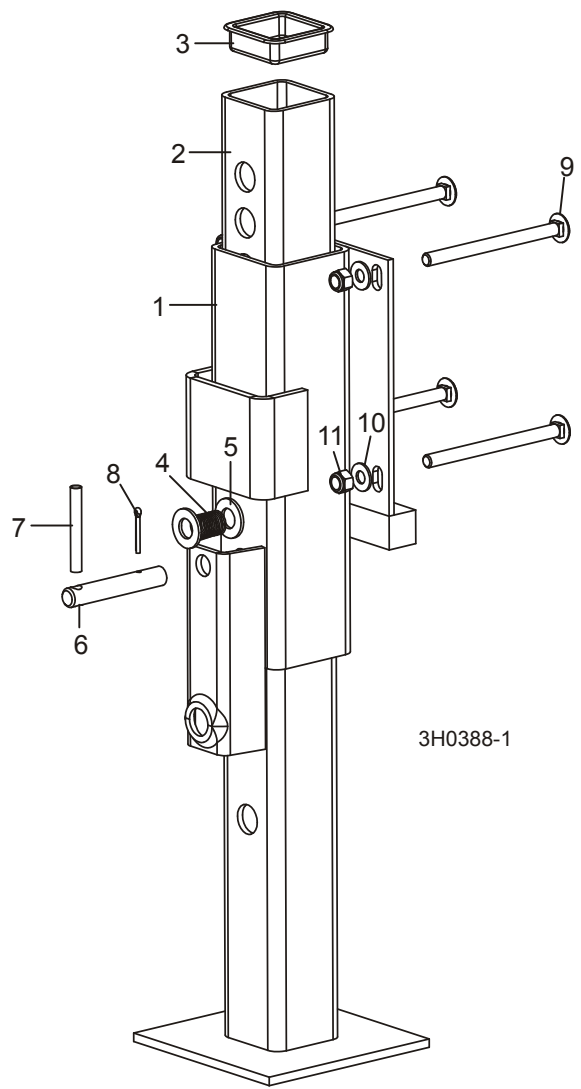
³ Replaced F05012-103 3/16" X 1 3/4" Roll Pin (1/12). Use 05012-17 3/16" X 1 1/2" Roll Pin for LT30HD/40HD H6.02, LT30HD/40HD Super H6.02 and later revision mills. Use F05012-59 1/8" x 1 1/4" Cotter Pin for all prior revision mills.

3 Parts List

Outrigger Assembly, Front

2.9 Outrigger Assembly, Front

LT40HD Rev. G1.00 - G8.00
 LT40HD Super Rev. G1.00 - G9.00



REF	DESCRIPTION (◆ INDICATES PARTS AVAILABLE IN ASSEMBLIES ONLY)	PART #	QTY.
	OUTRIGGER ASSEMBLY, FRONT	015143 ¹	1/2
1	Guide, Front Outrigger '97 Super	015144	1
2	Leg, Outrigger	W07537	1
3	Cap, Outrigger Leg	P09926	1
4	Spring, Outrigger Pin	P04282	1
5	Washer, 9/16" SAE Flat	F05011-8	2
	Pin Kit, Outrigger Pull	A12232	1

Parts List 3
Outrigger Assembly, Front

6	Pin, Outrigger Pull	S12261	1	◆
7	Pin, 5/16" X 2 1/2" Roll	F05012-47	1	
8	Pin, 1/8" X 1" Cotter	F05012-1	1	
9	BOLT, 3/8-16 X 5" CARRIAGE HEAD	F05007-113	4/8	
10	WASHER, 3/8" SAE FLAT	F05011-3	4/8	
11	NUT, 3/8-16 HEX NYLON LOCK	F05010-10	4/8	

¹ Outrigger upgraded with 3/4" retaining pin hardware 9/98 ([See Section 2.8](#)).

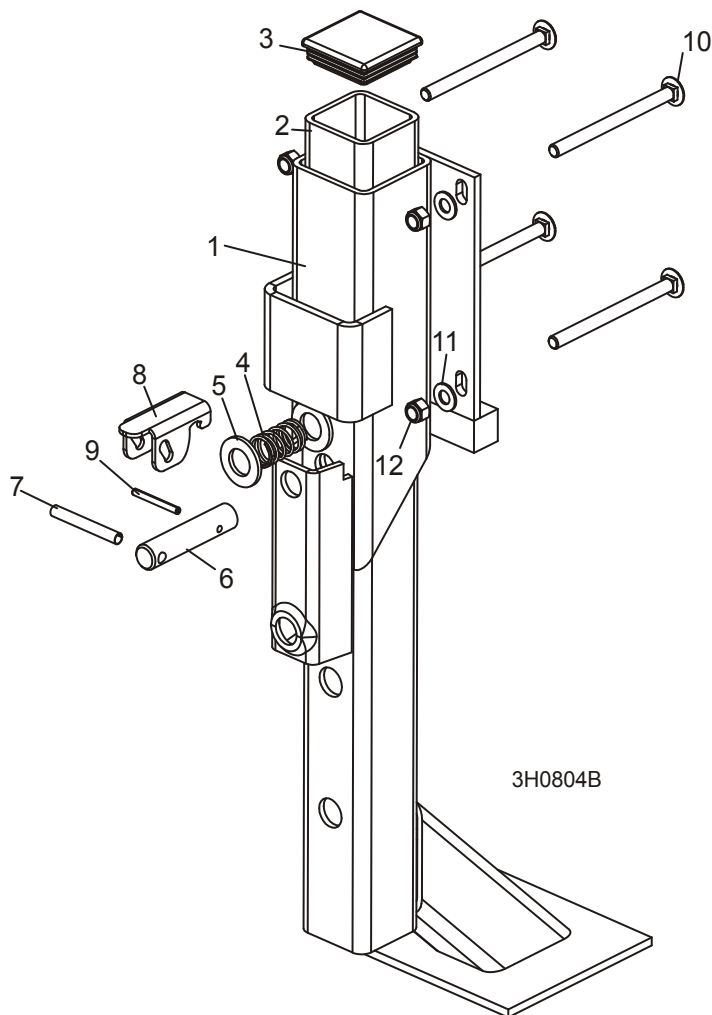
3 Parts List

Outrigger Assembly, Long (LT30HD Super)

2.10 Outrigger Assembly, Long (LT30HD Super)

LT30HD Super

Rev. H6.00+



REF	DESCRIPTION (◆ INDICATES PARTS AVAILABLE IN ASSEMBLIES ONLY)	PART #	QTY.	
	OUTRIGGER ASSEMBLY, LONG	016414	1	
1	Guide, Long Outrigger Guide	015144	1	
2	Leg, Outrigger	016401	1	
3	Cap, Outrigger Leg	P09926	1	
4	Spring, Outrigger Pin	016145	1	
5	Washer, 3/4" SAE Flat	F05011-62 ¹	2	
	Pin Assembly, Outrigger Pull w/Lock	007736 ²	1	
6	Pin, 3/4" Outrigger Pull	016147	1	◆
7	Pin, 5/16" X 2 1/2" Roll	F05012-47	1	
8	Plate, Outrigger Pin Lock	064001	1	

9	Pin, 3/16" X 1 1/2" Roll	F05012-17 ³	1	
	Pin, 1/8" x 1 1/4" Cotter	F05012-59 ³	1	
10	BOLT, 3/8-16 X 5" CARRIAGE HEAD	F05007-113	4/8	
11	WASHER, 3/8" SAE FLAT	F05011-3	4/8	
12	NUT, 3/8-16 HEX NYLON LOCK	F05010-10	4/8	

¹ Washers removed to improve outrigger locking pin operation (LT30HD Super Rev. H6.01). Washers may be removed on previous revisions with 3/4" diameter locking pins to improve operation.

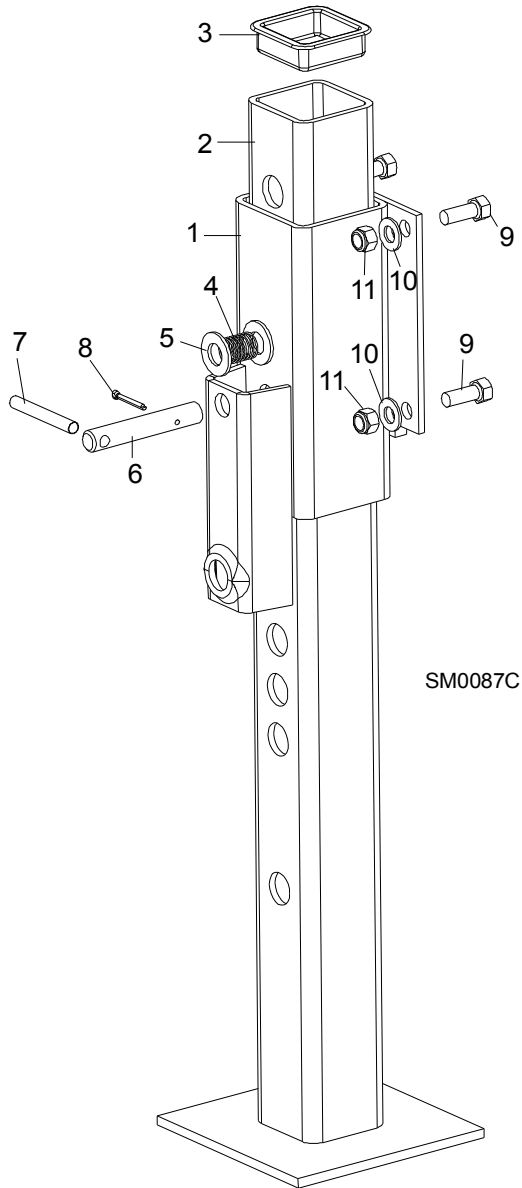
² Pin Assembly 007736 with Lock Plate 064001 replaces Pin Kit 016148 on Front and Rear outrigger assemblies to prevent pin from vibrating loose (12/09) .

³ Replaced F05012-103 3/16" X 1 3/4" Roll Pin (1/12). Use 05012-17 3/16" X 1 1/2" Roll Pin for LT30HD/40HD H6.02, LT30HD/40HD Super H6.02 and later revision mills. Use F05012-59 1/8" x 1 1/4" Cotter Pin for all prior revision mills.

3 **Parts List**
Outrigger Assembly, Short Front

2.11 Outrigger Assembly, Short Front

LT30HD *Rev. G9.00+*
 LT40HD *Rev. G9.00+*
 LT30HD Super *Rev. H1.00+*
 LT40HD Super *Rev. H1.00+*
 LT50HD *Rev. A1.00+*
 LT70HD *Rev. A1.00+*



REF	DESCRIPTION (◆ INDICATES PARTS AVAILABLE IN ASSEMBLIES ONLY)	PART #	QTY.	
	OUTRIGGER ASSEMBLY, SHORT FRONT	A04278	1	

Parts List 3
Outrigger Assembly, Short Front

1	Guide, Short Front Outrigger Guide	W09012	1	
2	Leg, Outrigger	W07537	1	
3	Cap, Outrigger Leg	P09926	1	
4	Spring, Outrigger Pin	016145	1	
5	Washer, 3/4" SAE Flat	F05011-62 ¹	2	
	Pin Kit, 3/4" Outrigger Pull	016148	1	
6	Pin, 3/4" Outrigger Pull	016147	1	◆
7	Pin, 5/16" X 2 1/2" Roll	F05012-47	1	
8	Pin, 3/16" X 1 3/4" Roll	F05012-103 ²	1	
	Pin, 1/8" x 1 1/4" Cotter	F05012-59 ²	1	
9	BOLT, 3/8-16 X 1 1/4" HEX HEAD	F05007-2 ³	4	
10	WASHER, 3/8" FLAT	F05011-3	4	
11	NUT, 3/8-16 HEX NYLON LOCK	F05010-10	4	

¹ Washers removed to improve outrigger locking pin operation (LT30HD/40HD Rev. H6.01, LT30HD/40HD Super Rev. H6.01). Washers may be removed on previous revisions with 3/4" diameter locking pins to improve operation.

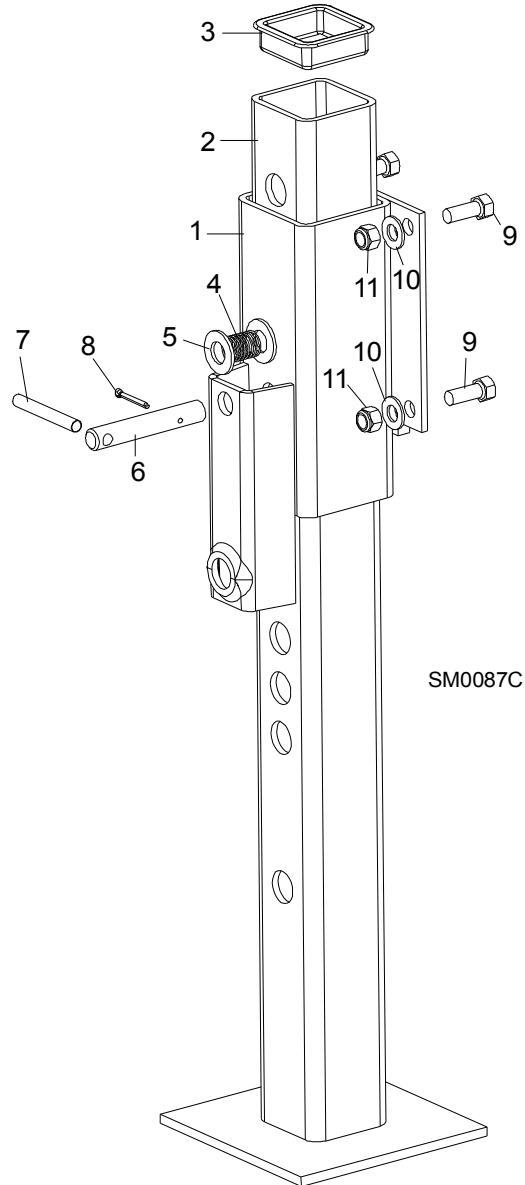
² Use F05012-103 3/16" X 1 3/4" Roll Pin for LT30HD/40HD H6.02, LT30HD/40HD Super H6.02 and later revision mills. Use F05012-59 1/8" x 1 1/4" Cotter Pin for all prior revision mills.

³ Replaces 3/8-16 x 1" Hex Head Grade 2 Bolt (F05007-7) to secure outrigger with thicker 1/4" mounting plate provided after 11/99.

3 **Parts List**
Outrigger Assembly, Short Front

2.12 Outrigger Assembly, Short Front

LT30HD Rev. G1.00 - G8.00
LT40HD Rev. G1.00 - G8.00
LT30HD Super Rev. G1.00 - G9.00
LT40HD Super Rev. G1.00 - G9.00



REF	DESCRIPTION (◆ Indicates Parts Available In Assemblies Only)	PART #	QTY.	
	OUTRIGGER ASSEMBLY, SHORT FRONT	A04278 ¹	1	
1	Guide, Short Front Outrigger Guide	W09012	1	
2	Leg, Outrigger	W07537	1	

Parts List 3
Outrigger Assembly, Short Front

3	Cap, Outrigger Leg	P09926	1	
4	Spring, Outrigger Pin	P04282	1	
5	Washer, 9/16" SAE Flat	F05011-8	2	
	Pin Kit, Outrigger Pull	A12232	1	
6	Pin, Outrigger Pull	S12261	1	◆
7	Pin, 5/16" X 2 1/2" Roll	F05012-47	1	
8	Pin, 1/8" X 1" Cotter	F05012-1	1	
9	BOLT, 3/8-16 X 1 1/4" HEX HEAD	F05007-2 ²	4	
10	WASHER, 3/8" FLAT	F05011-3	4	
11	NUT, 3/8-16 HEX NYLON LOCK	F05010-10	4	

¹ Outrigger upgraded with 3/4" retaining pin hardware 9/98 ([See Section 2.11](#)).

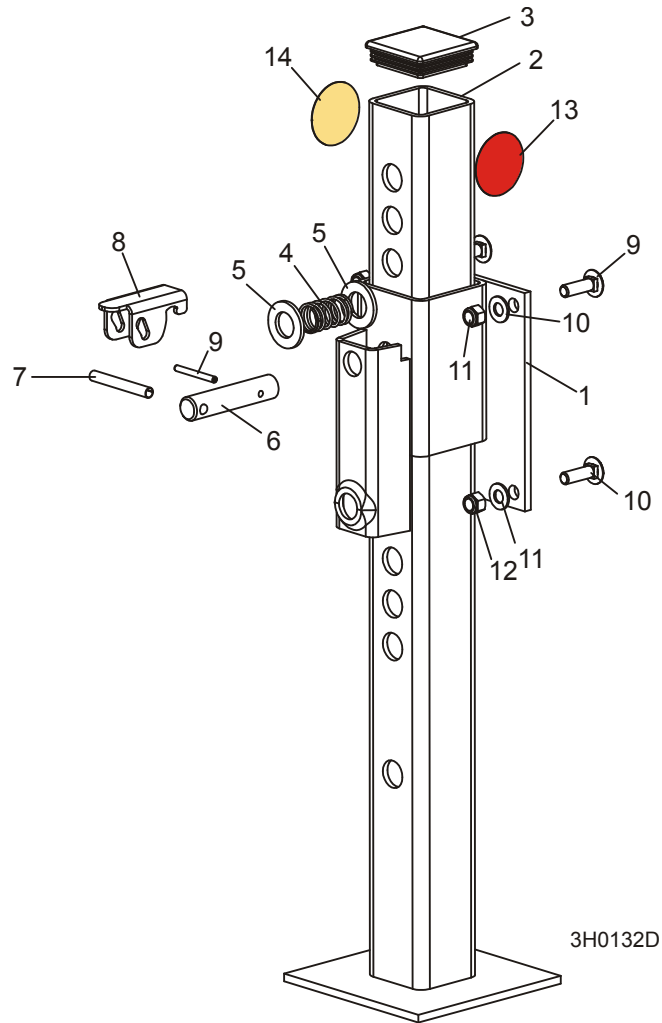
² Replaces 3/8-16 x 1" Hex Head Grade 2 Bolt (F05007-7) to secure outrigger with thicker 1/4" mounting plate provided after 11/99.

3 Parts List

Outrigger Assembly, Rear

2.13 Outrigger Assembly, Rear

LT40HD **Rev. G9.00+**
LT40HD Super **Rev. H1.00+**
LT50HD **Rev. A1.00+**
LT70HD **Rev. A1.00+**



REF	DESCRIPTION (◆ INDICATES PARTS AVAILABLE IN ASSEMBLIES ONLY)	PART #	QTY.
	OUTRIGGER ASSEMBLY, LT40 REAR	A12083	1
1	Guide, Short Rear Outrigger Guide	W12082	1
2	Leg, Outrigger	W07537	1
3	Cap, Outrigger Leg	P09926	1
4	Spring, Outrigger Pin	016145	1
5	Washer, 3/4" SAE Flat	F05011-62 ¹	2
	Pin Assembly, Outrigger Pull w/Lock	007736 ²	1

Parts List 3
Outrigger Assembly, Rear

6	Pin, 3/4" Outrigger Pull	016147	1	◆
7	Pin, 5/16" X 2 1/2" Roll	F05012-47	1	
8	Plate, Outrigger Pin Lock	064001	1	
9	Pin, 3/16" X 1 1/2" Roll	F05012-17 ³	1	
	Pin, 1/8" x 1 1/4" Cotter	F05012-59 ³	1	
10	BOLT, 3/8-16 X 1 1/4" CARRIAGE HEAD	F05007-11 ⁴	4	
11	WASHER, 3/8" FLAT	F05011-3	4	
12	NUT, 3/8-16 HEX NYLON LOCK	F05010-10	4	
13	REFLECTOR, 2" DIAMETER RED	P07452	1	
14	REFLECTOR, 2" DIAMETER AMBER	P07453	1	

¹ Washers removed to improve outrigger locking pin operation (LT40HD Rev. H6.01 and LT40HD Super Rev. H6.01). Washers may be removed on previous revisions with 3/4" diameter locking pins to improve operation.

² Pin Assembly 007736 with Lock Plate 064001 replaces Pin Kit 016148 on Front and Rear outrigger assemblies to prevent pin from vibrating loose (12/09).

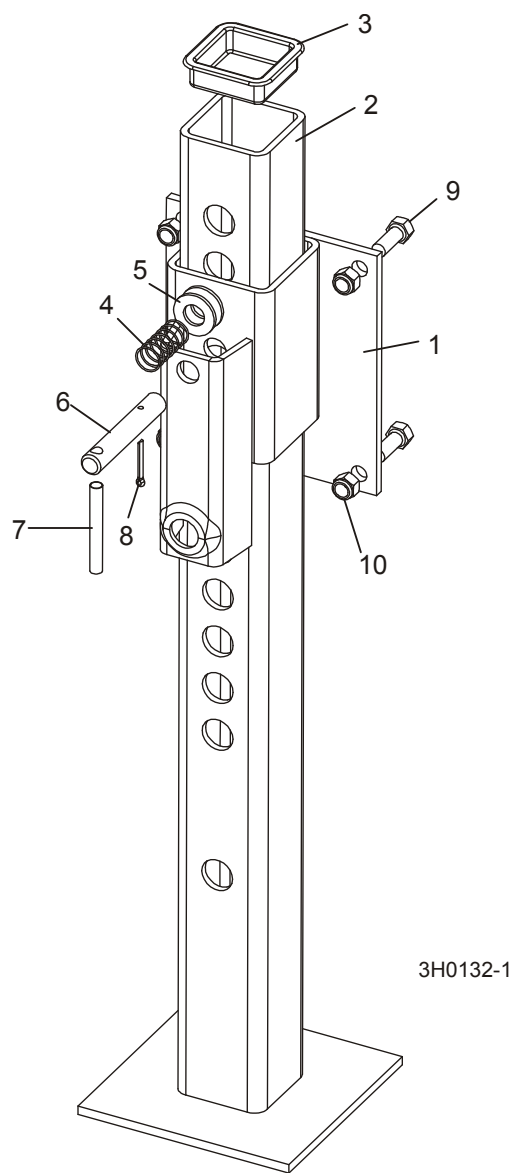
³ Replaced F05012-103 3/16" X 1 3/4" Roll Pin (1/12). Use 05012-17 3/16" X 1 1/2" Roll Pin for LT30HD/40HD H6.02, LT30HD/40HD Super H6.02 and later revision mills. Use F05012-59 1/8" x 1 1/4" Cotter Pin for all prior revision mills.

⁴ Replaces hex head bolts F05007-2 and F05007-7 supplied before 5/03.

3 **Parts List**
Outrigger Assembly, Rear

2.14 Outrigger Assembly, Rear

LT40HD *Rev. G1.00 - G8.00*
LT40HD Super *Rev. G1.00 - G9.00*



REF	DESCRIPTION (◆ INDICATES PARTS AVAILABLE IN ASSEMBLIES ONLY)	PART #	QTY.	
	OUTRIGGER ASSEMBLY, LT40 REAR	A12083 ¹	1	
1	Guide, Short Rear Outrigger Guide	W12082	1	
2	Leg, Outrigger	W07537	1	
3	Cap, Outrigger Leg	P09926	1	
4	Spring, Outrigger Pin	P04282	1	
5	Washer, 9/16" SAE Flat	F05011-8	2	

Parts List 3
Outrigger Assembly, Rear

	Pin Kit, Outrigger Pull	A12232	1	
6	Pin, Outrigger Pull	S12261	1	◆
7	Pin, 5/16" X 2 1/2" Roll	F05012-47	1	
8	Pin, 1/8" X 1" Cotter	F05012-1	1	
9	SCREW, 3/8-16 X 1 1/4" HEX HEX CAP	F05007-2 ²	4	
10	NUT, 3/8-16 HEX NYLON LOCK	F05010-10	4	

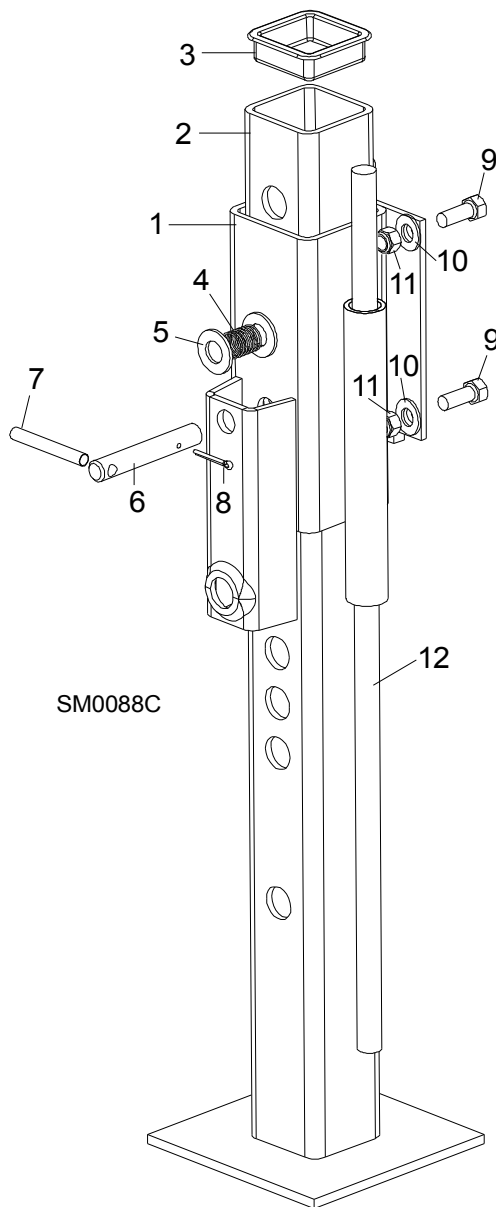
¹ Outrigger upgraded with 3/4" retaining pin hardware 9/98 ([See Section 2.13](#)).

² Replaces 3/8-16 x 1" Hex Head Grade 2 Bolt (F05007-7) in order to secure outrigger with thicker 1/4" mounting plate provided after 11/99.

3 **Parts List**
Outrigger Assembly, Short Rear

2.15 Outrigger Assembly, Short Rear

LT30HD Rev. G9.00+
LT40HD Rev. G9.00+
LT30HD Super Rev. H1.00+
LT40HD Super Rev. H1.00+
LT50HD Rev. A1.00+
LT70HD Rev. A1.00+



REF	DESCRIPTION (◆ Indicates Parts Available In Assemblies Only)	PART #	QTY.	
	OUTRIGGER ASSEMBLY, SHORT REAR	A09475	1	

Parts List 3
Outrigger Assembly, Short Rear

1	Guide, Short Rear Outrigger Guide	W09474	1	
2	Leg, Outrigger	W07537	1	
3	Cap, Outrigger Leg	P09926	1	
4	Spring, Outrigger Pin	016145	1	
5	Washer, 3/4" SAE Flat	F05011-62 ¹	2	
	Pin Kit, 3/4" Outrigger Pull	016148	1	
6	Pin, 3/4" Outrigger Pull	016147	1	◆
7	Pin, 5/16" X 2 1/2" Roll	F05012-47	1	
8	Pin, 3/16" X 1 3/4" Roll	F05012-103 ²	1	
	Pin, 1/8" x 1 1/4" Cotter	F05012-59 ²	1	
9	SCREW, 3/8-16 X 1 1/4" HEX HEX CAP	F05007-2 ³	4	
10	WASHER, 3/8" FLAT	F05011-3	4	
11	NUT, 3/8-16 HEX NYLON LOCK	F05010-10	4	
12	HANDLE, OUTRIGGER LIFT	S04827	1	

¹ Washers removed to improve outrigger locking pin operation (LT30HD/40HD Rev. H6.01, LT30HD/40HD Super Rev. H6.01). Washers may be removed on previous revisions with 3/4" diameter locking pins to improve operation.

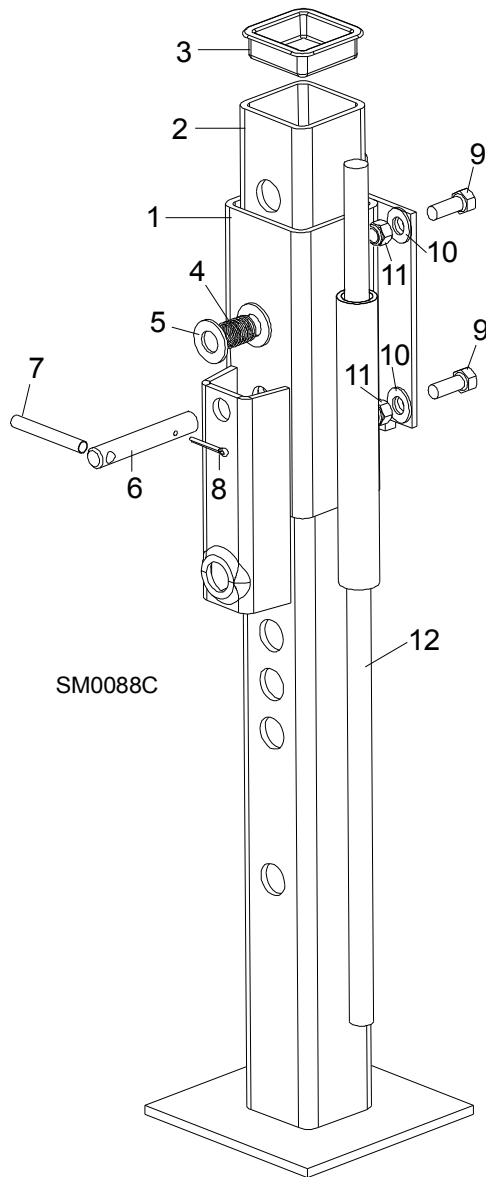
² Use F05012-103 3/16" X 1 3/4" Roll Pin for LT30HD/40HD H6.02, LT30HD/40HD Super H6.02 and later revision mills. Use F05012-59 1/8" x 1 1/4" Cotter Pin for all prior revision mills.

³ Replaces 3/8-16 x 1" Hex Head Grade 2 Bolt (F05007-7) in order to secure outrigger with thicker 1/4" mounting plate provided after 11/99.

3 **Parts List**
Outrigger Assembly, Short Rear

2.16 Outrigger Assembly, Short Rear

LT30HD Rev. G1.00 - G8.00
LT40HD Rev. G1.00 - G8.00
LT30HD Super Rev. G1.00 - G9.00
LT40HD Super Rev. G1.00 - G9.00



REF	DESCRIPTION (◆ INDICATES PARTS AVAILABLE IN ASSEMBLIES ONLY)	PART #	QTY.	
	OUTRIGGER ASSEMBLY, SHORT REAR	A09475 ¹	1	
1	Guide, Short Rear Outrigger Guide	W09474	1	
2	Leg, Outrigger	W07537	1	

Parts List 3
Outrigger Assembly, Short Rear

3	Cap, Outrigger Leg	P09926	1	
4	Spring, Outrigger Pin	P04282	1	
5	Washer, 9/16" SAE Flat	F05011-8	2	
	Pin Kit, Outrigger Pull	A12232	1	
6	Pin, Outrigger Pull	S12261	1	◆
7	Pin, 5/16" X 2 1/2" Roll	F05012-47	1	
8	Pin, 1/8" X 1" Cotter	F05012-1	1	
9	SCREW, 3/8-16 X 1 1/4" HEX HEX CAP	F05007-2 ²	4	
10	WASHER, 3/8" FLAT	F05011-3	4	
11	NUT, 3/8-16 HEX NYLON LOCK	F05010-10	4	
12	HANDLE, OUTRIGGER LIFT	S04827	1	

¹ Outrigger upgraded with 3/4" retaining pin hardware 9/98 ([See Section 2.15](#)).

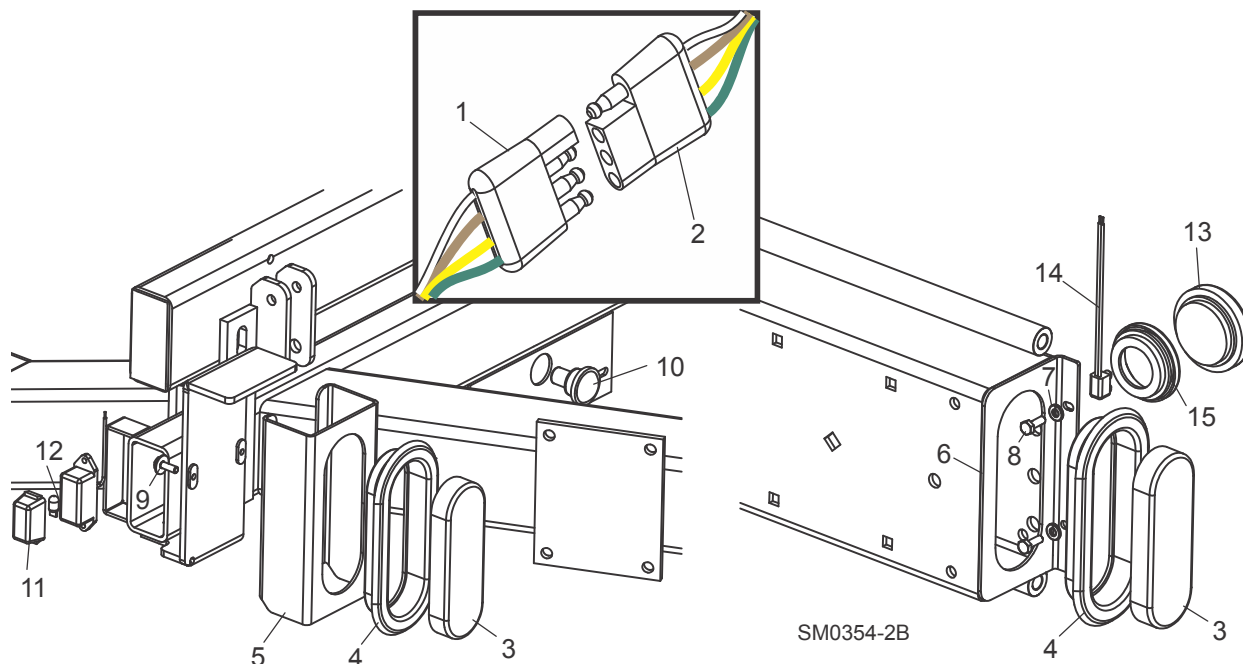
² Replaces 3/8-16 x 1" Hex Head Grade 2 Bolt (F05007-7) in order to secure outrigger with thicker 1/4" mounting plate provided after 11/99.

3 Parts List

Trailer Lights

2.17 Trailer Lights

LT30HD Rev. K2.00+
LT40HD Rev. K4.00+
LT40HD Super Rev. K2.00+
LT50HD Rev. A3.00+
LT70HD Rev. B1.00+
LT70HD Super Rev. A1.00+



REF	DESCRIPTION (◆ Indicates Parts Available In Assemblies Only)	PART #	QTY.
1	PLUG, TRAILER LIGHT MALE	P04159	1
2	PLUG, TRAILER LIGHT FEMALE	P04983	1
3	LIGHT ASSEMBLY, TRAILER TAIL LED	006391	2
4	GROMMET, 6 1/2" LIGHT MOUNTING	006688	2
5	GUARD, IDLE-SIDE TAIL LIGHT	006600	1
6	PLATE, BED TUBE END W/LIGHT MOUNT	057822	1
7	WASHER, 1/4" SPLIT LOCK	F05011-14	2
8	BOLT, 1/4-20 X 3/4" HEX HEAD FULL THREAD	F05005-1	2
9	BOLT, 1/4-20 X 3/4" HEX W/CONICAL WASHER HEAD	F05005-134	2
10	LIGHT, LICENSE PLATE	P09928	1
	LIGHT, RECTANGLE RED RUNNING	P12905	1
	LIGHT, RECTANGLE AMBER RUNNING (NOT SHOWN)	P12906	1

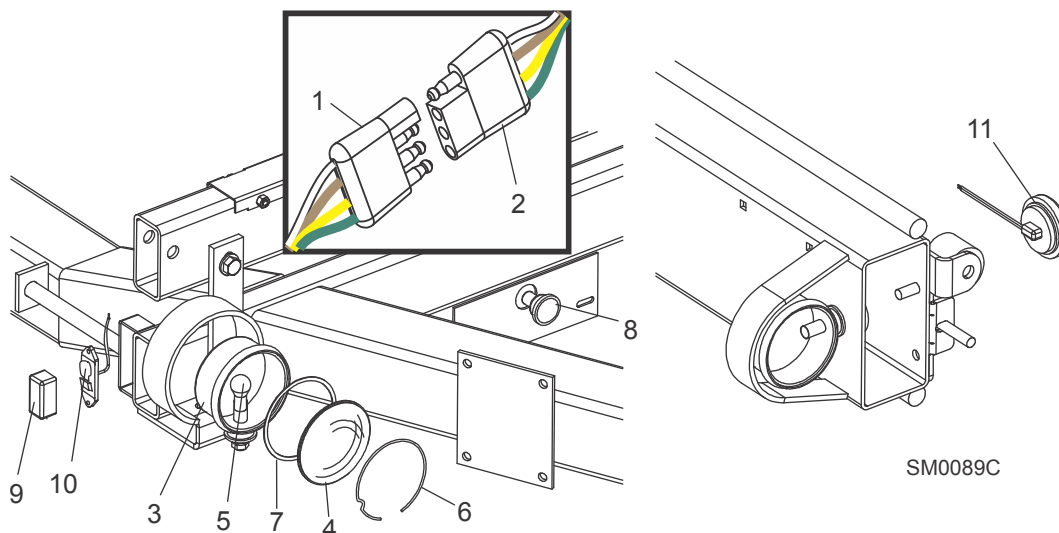
11	Lens, Rectangle Red Running Light	P12921	1	
	Lens, Rectangle Amber Running Light	P12922	1	
12	Bulb, Rectangle Running Light Replacement	P12923	1	◆
	LIGHT, ROUND RED RUNNING	P12913	1	
	LIGHT, ROUND AMBER RUNNING (NOT SHOWN)	P12914	1	
13	Light, Round Red Running Replacement	P12917	1	
	Light, Round Amber Running Replacement	P12918	1	
14	Pigtail, Round Running Light Replacement	P12920	1	
15	Grommet, Round Running Light Replacement	P12919	1	

3 Parts List

Trailer Lights

2.18 Trailer Lights

LT30HD Rev. G1.00 - K1.03
LT40HD Rev. G1.00 - K3.01
LT30HD Super Rev. G1.00+
LT40HD Super Rev. G1.00 - K1.02
LT50HD Rev. A1.00 - A2.02
LT70HD Rev. A1.00 - A9.00



SM0089C

REF	DESCRIPTION (◆ INDICATES PARTS AVAILABLE IN ASSEMBLIES ONLY)	PART #	QTY.	
1	PLUG, TRAILER LIGHT MALE	P04159	1	
2	PLUG, TRAILER LIGHT FEMALE	P04983	1	
3	LIGHT ASSEMBLY, TRAILER TAIL	P04294	2	
4	Lens, Grote Tail Light #90012	P12509	1	
5	Bulb, #1157 Trailer Light	P04481	1	
6	Clip, Grote Tail Light Retainer	P12510	1	
7	Gasket, Grote Tail Light Lens	P12511	1	
8	LIGHT, LICENSE PLATE	P09928	1	
	LIGHT, RECTANGLE RED RUNNING	P12905	1	
	LIGHT, RECTANGLE AMBER RUNNING (NOT SHOWN)	P12906	1	
9	Lens, Rectangle Red Running Light	P12921	1	
	Lens, Rectangle Amber Running Light	P12922	1	
10	Bulb, Rectangle Running Light Replacement	P12923 ¹	1	◆
11	LIGHT, ROUND RED RUNNING	P12913	1	
	LIGHT, ROUND AMBER RUNNING (NOT SHOWN)	P12914	1	
	Light, Round Red Running Replacement	P12917	1	
	Light, Round Amber Running Replacement	P12918	1	

	Pigtail, Round Running Light Replacement	P12920	1	
	Grommet, Round Running Light Replacement	P12919	1	

¹ Running light bulb P12923 no longer offered. Bulb is readily available at most local auto parts stores.