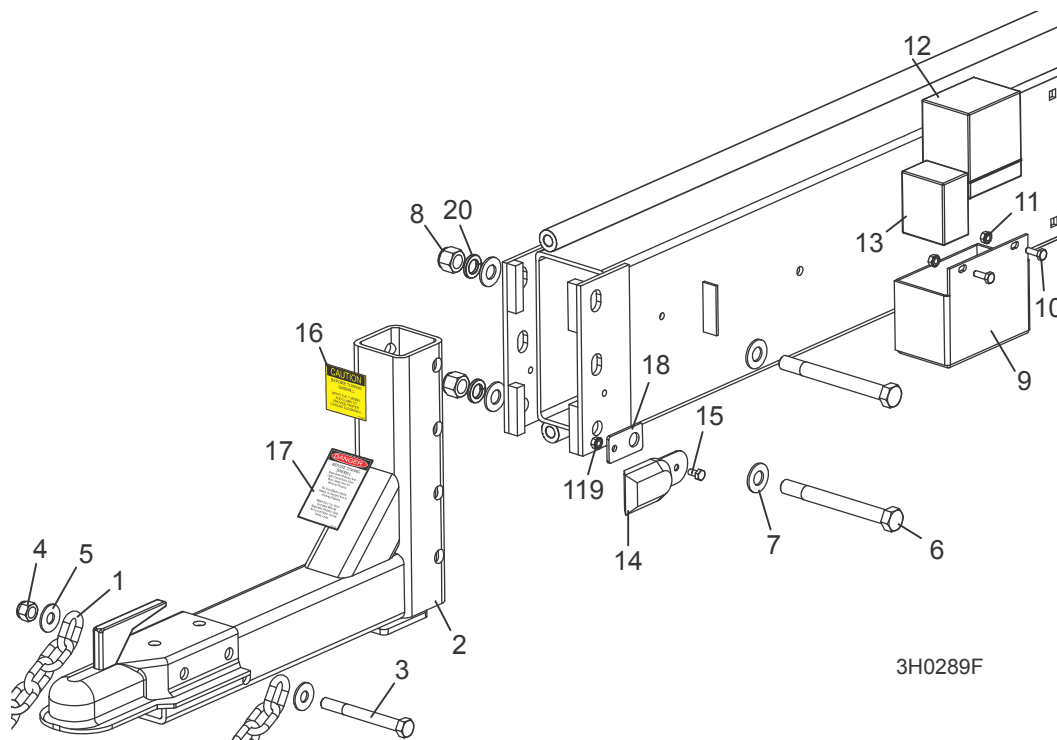


## SECTION 2 PARTS LISTS

### 2.1 Trailer Hitch Assembly, Electric Brake



REF	DESCRIPTION (◆ INDICATES PARTS AVAILABLE IN ASSEMBLIES ONLY)	PART #	QTY.	
	<b>HITCH, EXTENDED TRAILER</b>	015033 <sup>1</sup>	1	
1	Chain, 30 Inch Safety	107163	2	
2	Hitch Weldment	110277	1	
3	Bolt, 1/2-13x4 1/2 Hex Head Grade 5	F05008-35	1	
4	Nut, 1/2-13 Nylon Hex Lock	F05010-8	1	
5	Washer, 7/16 Standard Flat	F05011-35	2	
6	<b>BOLT, 5/8-11 X 6" HEX HEAD GRADE 5</b>	F05009-22	2	
7	<b>WASHER, 5/8" SAE FLAT</b>	F05011-5 <sup>2</sup>	4	
8	<b>NUT, 5/8-11 NYLON LOCK</b>	F05010-34	2	
	<b>TOWING EXTENSION KIT (NOT SHOWN, OPTIONAL)</b>	K12571	1	
	Bolt, 5/8-11 x 2 1/2" Hex Head Grade 5	F05009-20	2	◆
	Washer, 5/8" Split Lock	F05011-27	2	
	Washer, 5/8" SAE Flat	F05011-5	2	
	Bracket, Safety Chain Bumper	S12289-N	2	◆
	Nut, 5/8-11 Free Hex	F05010-5	2	
9	<b>BOX, BRAKE BATTERY</b>	015161 <sup>3</sup>	1	
10	<b>BOLT, 1/4-20 X 3/4" HEX HEAD FULL THREAD</b>	F05005-1	2	

11	<b>NUT, 1/4-20 SELF-LOCKING HEX</b>	F05010-9	2	
	<b>BATTERY/CHARGER ASSEMBLY, ELECTRIC BRAKE</b>	014357	1	
12	Battery, Trailer Brake	014472	1	
13	Charger, Trailer Brake Battery	014471	1	
14	Switch, Electric Brake Breakaway	014082	1	
	Pin Assy, Brake Switch Activator	024518 <sup>4</sup>	1	
15	<b>BOLT, 1/4-20 X 1/2" HEX HEAD</b>	F05005-15	1	
16	<b>DECAL, BEFORE TOWING CAUTION (HYDRAULIC MILLS ONLY)</b>	P11809	1	
17	<b>DECAL, ELECTRIC BRAKE DANGER</b>	014106	1	
18	<b>PLATE, BRAKE SWITCH EXTENSION (REMOTE ONLY)</b>	016723 <sup>5</sup>	1	
19	<b>NUT, 1/4-20 SELF-LOCKING HEX</b>	F05010-9	1	
20	<b>WASHER, 5/8" SPLIT LOCK</b>	F05011-27	2	

<sup>1</sup> [See Section 2.22](#) or [See Section 2.23](#) for trailer light plug.

<sup>2</sup> Added LT30HD/40HD Super Rev. H1.00+.

<sup>3</sup> Replaces Box 015083 and mount bracket 014388 originally used for non-hydraulic sawmills prior to 1/03. Mounting box 015161 now used for all models.

<sup>4</sup> Pin Assembly will only service newer switches with cylinder-shaped pins. Switches with flat-style pins must be replaced with new switch 014082.

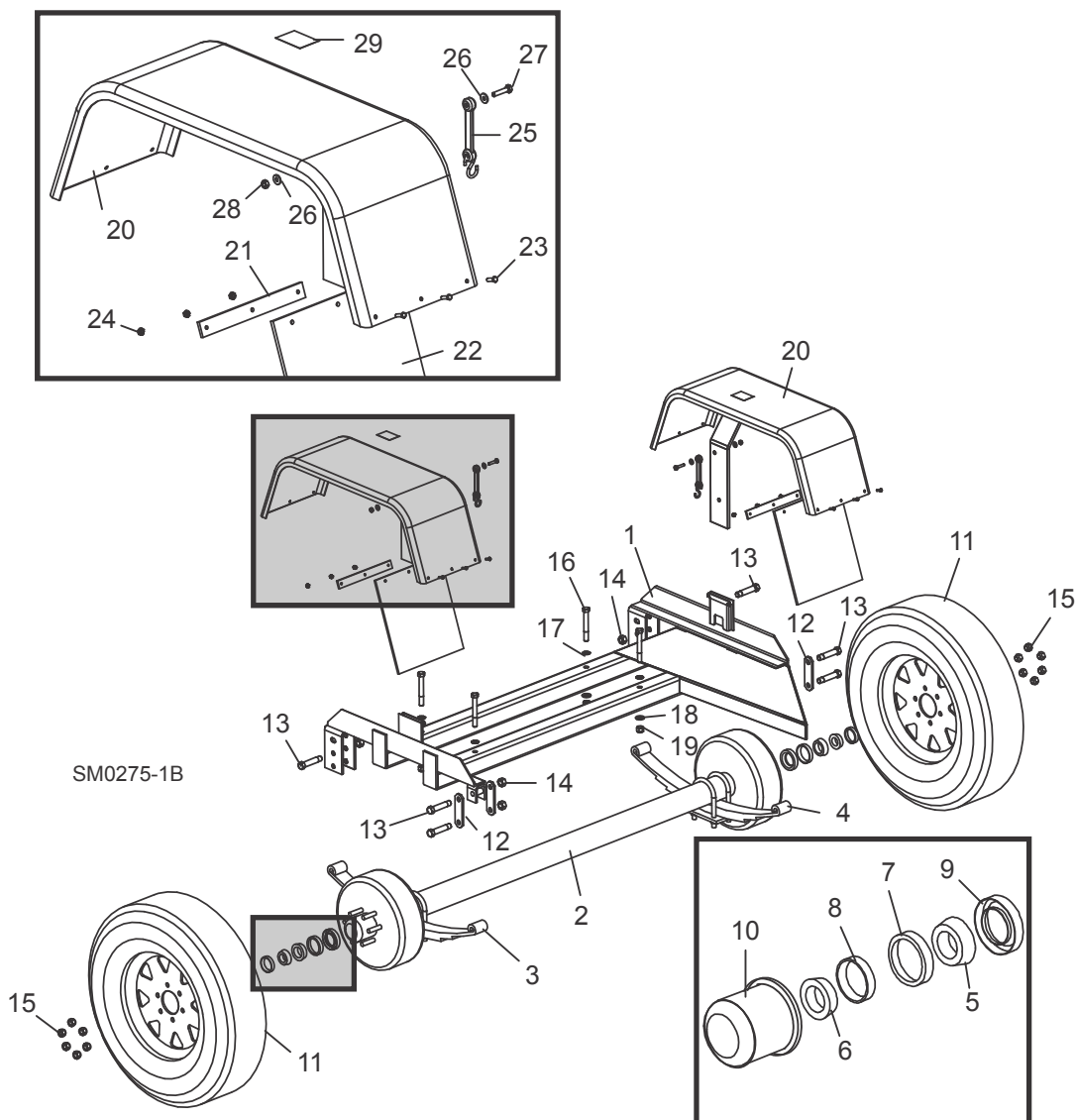
<sup>5</sup> Extension plate added 1/01 to prevent interference with remote hydraulic hoses.

# 3 Parts Lists

## Trailer Axle Assembly, Electric Brake

### 2.2 Trailer Axle Assembly, Electric Brake

**LT30HD** Rev. H8.00+  
**LT35/LT35HD** Rev. A1.00+  
**LT40HD** Rev. H8.00+  
**LT30HD Super** Rev. H8.00+  
**LT40HD Super** Rev. H8.00+  
**LT50HD** Rev. A1.00+

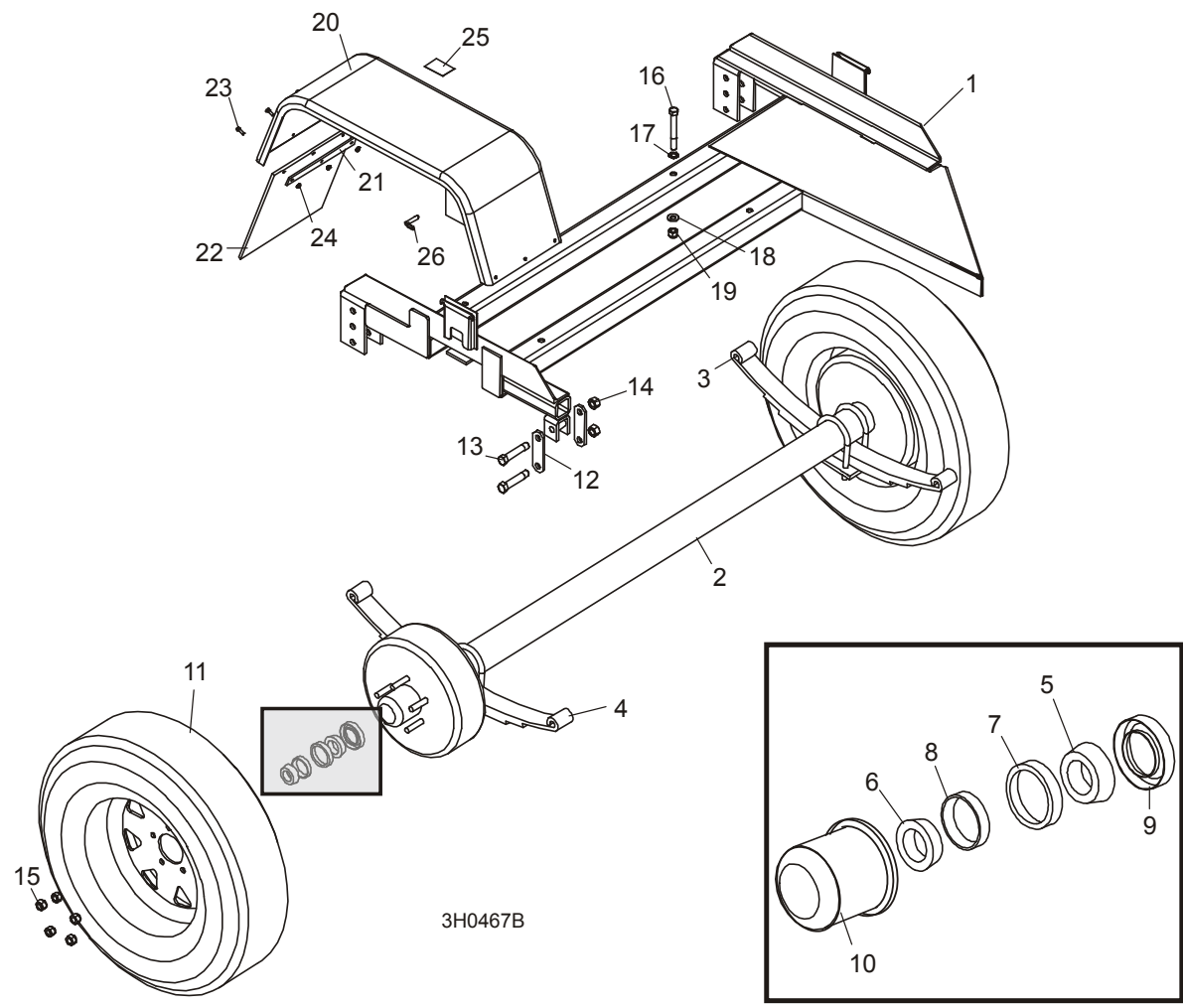


REF	DESCRIPTION (◆ INDICATES PARTS AVAILABLE IN ASSEMBLIES ONLY)	PART #	QTY.	
	<b>AXLE FRAME ASSEMBLY, SUPER ELECTRIC BRAKE</b>	014680	1	
<b>1</b>	Frame, Trailer Axle Super	015204	1	◆
	Mount Bracket, Trailer Fender (requires welding)	W09784	2	

2	Axle, 5200 Lb. Electric Brake Drop Super Dexter #29208	014676	1	
3	Spring, 2600 Lb. Dexter Leaf Drive Side Dexter #72-75	015695	1	
4	Spring, 3000 Lb. Dexter Leaf Idle Side Dexter #72-73	015694	1	
	Bearing Kit, Sawmill Super Axle Spindle	015696	1	
5	Bearing, Dexter #25580	015697	1	◆
6	Bearing, Dexter #LM67048	015699	1	◆
7	Race, Inner Dexter #25520	015698	1	◆
8	Race, Outer Dexter #LM67010	015700	1	◆
9	Seal, Wheel Bearing Dust Dexter #10-1	015701	1	
10	Cap, Wheel Bearing Dust (Super) Dexter #21-1	015702	2	
11	Wheel Assembly, Goodyear ST225/75R15	015988	2	
12	Plate, Trailer Axle Shackle	M07528	4	
13	Bolt, 9/16-8 X 3" Shackle	P04644	6	
14	Nut, 9/16-8 Shackle	P04643	6	
15	Nut, 1/2-20 Lug	P04646	12	
16	<b>BOLT, 1/2-13 X 4" HEX HEAD GRADE 2</b>	F05008-26	4	
17	<b>WASHER, 1/2" EXTERIOR STAR</b>	F05011-39	4	
18	<b>WASHER, 1/2" SAE FLAT</b>	F05011-2	4	
19	<b>NUT, 1/2-13 HEX NYLON LOCK</b>	F05010-8	4	
	<b>FENDER ASSEMBLY, SUPER W/MUD FLAP</b>	015950	2	
20	Fender Weldment, Trailer Wheel (Super Electric Brake)	015788	1	
21	Plate, Mud Flap Retaining	015787	1	
22	Flap, Mud	015758	1	
23	Screw, #10-24 x 5/8" Hex Head	F05004-18	3	
24	Nut, #10-24 Self-Locking Hex	F05010-14	3	
25	Strap, 6" Rubber	016542	2	
26	Washer, 1/4" SAE Flat	F05011-11	2	
27	Bolt, 1/4-20 x 1 1/4" Hex Head Full Thread	F05005-3	1	
28	Nut, 1/4-20 Lock	F05010-21	1	
29	<b>DECAL, FENDER DAMAGE CAUTION</b>	S11761	2	
	<b>DECAL, PINCH POINT DANGER</b>	P10287	1	
	<b>DECAL, REMOVE FENDERS (CONTROL BOX)</b>	076607	1	

**2.3 Trailer Axle Assembly, Electric Brake**

LT30HD Rev. G1.00 - H7.00  
 LT40HD Rev. G1.00 - H7.00  
 LT30HD Super Rev. G1.00 - H7.00  
 LT40HD Super Rev. G1.00 - H7.00



REF	DESCRIPTION (◆ INDICATES PARTS AVAILABLE IN ASSEMBLIES ONLY)	PART #	QTY.	
	<b>AXLE FRAME ASSEMBLY, SUPER ELECTRIC BRAKE</b>	014680	1	
1	Frame, Trailer Axle Super	015204	1	◆
	Mount Bracket, Trailer Fender (requires welding)	W09784	2	
2	Axle, 5200 Lb. Electric Brake Drop Super Dexter #29208	014676	1	
3	Spring, 3000 Lb. Dexter Leaf Idle Side Dexter #72-73	015694	1	
4	Spring, 2600 Lb. Dexter Leaf Drive Side Dexter #72-75	015695	1	
	Bearing Kit, Sawmill Super Axle Spindle	015696	1	
5	Bearing, Dexter #22580	015697	1	◆

6	Bearing, Dexter #LM67048	015699	1	◆
7	Race, Inner Dexter #25520	015698	1	◆
8	Race, Outer Dexter #LM67010	015700	1	◆
9	Seal, Wheel Bearing Dust Dexter #10-1	015701	1	
10	Cap, Wheel Bearing Dust (Super) Dexter #21-1	015702	2	
11	Wheel Assembly, Goodyear ST225/75R15	015988 <sup>1</sup>	2	
12	Plate, Trailer Axle Shackle	M07528	4	
13	Bolt, 9/16-8 X 3" Shackle	P04644	6	
14	Nut, 9/16-8 Shackle	P04643	6	
15	Nut, 1/2-20 Wheel Lug	P04646	10	
16	<b>BOLT, 1/2-13 X 4" HEX HEAD GRADE 2</b>	F05008-26	4	
17	<b>WASHER, 1/2" EXTERIOR STAR</b>	F05011-39	4	
18	<b>WASHER, 1/2" SAE FLAT</b>	F05011-2	4	
19	<b>NUT, 1/2-13 HEX NYLON LOCK</b>	F05010-8	4	
	<b>FENDER ASSEMBLY, SUPER W/MUD FLAP</b>	015950	2	
20	Fender Weldment, Trailer Wheel (Super Electric Brake)	015788 <sup>2</sup>	2	
21	Plate, Mud Flap Retaining	015787	2	
22	Flap, Mud	015758	2	
23	Screw, #10-24 x 5/8" Hex Head	F05004-18	6	
24	Nut, #10-24 Self-Locking Hex	F05010-14	6	
25	<b>DECAL, FENDER DAMAGE CAUTION</b>	S11761	2	
	<b>DECAL, PINCH POINT DANGER</b>	P10287	1	
26	<b>PIN, 5/16" X 1" DETAINING</b>	F05012-45	2	

<sup>1</sup> 015988 wheel assembly replaces H78x15 LRD wheel assembly (015448) originally supplied before LT30HD/40HD Super Rev. G7.00.

<sup>2</sup> Fender revised to increase clearance between brace and tire; mud flaps added. Replaces 015112 originally supplied until LT30 Super rev. F9, LT40 Super rev. G1, LT30HD Super and LT40HD Super rev. G3.

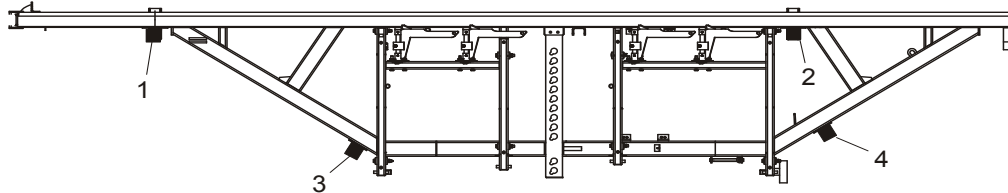
### 3 Parts List

#### Outriggers (LT50 w/o FAO)

## 2.4 Outriggers (LT50 w/o FAO)

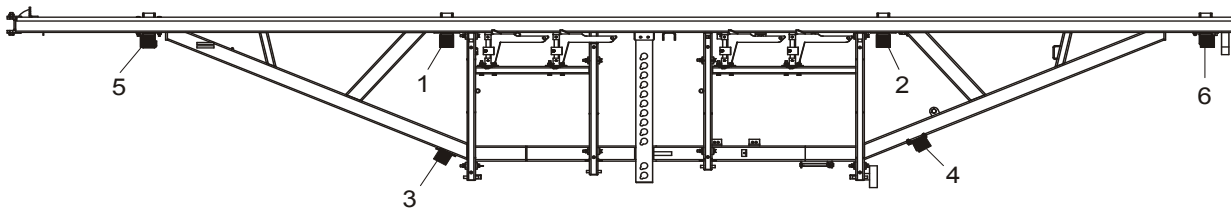
LT70HD

Rev. A1.00+



LT25/LT30/LT30HD/LT60HD (16' Bed)

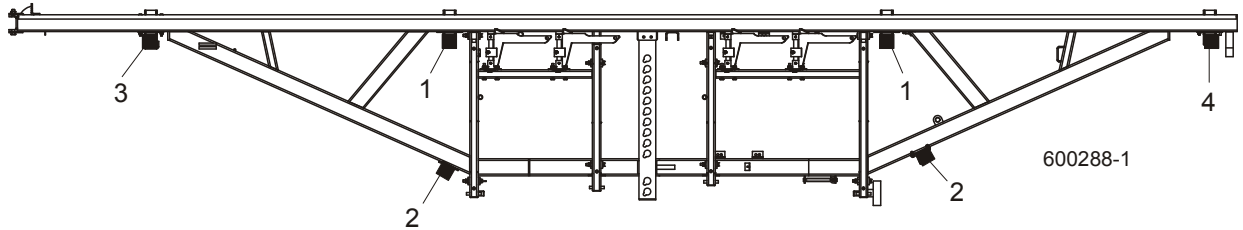
230026-1C



LT25L/LT27/LT40/LT40HD/LT70HD (24' Bed)

REF	DESCRIPTION (◆ INDICATES PARTS AVAILABLE IN ASSEMBLIES ONLY)	PART #	QTY.	
1	OUTRIGGER ASSEMBLY, LONG ( <a href="#">See Section 2.6</a> )	012997	1	
	OUTRIGGER ASSEMBLY, LONG (SUPER LT30HD ONLY) ( <a href="#">See Section 2.12</a> )	016414	1	
2	OUTRIGGER ASSEMBLY, LONG ( <a href="#">See Section 2.6</a> )	012997	1	
3	OUTRIGGER ASSEMBLY, SHORT ( <a href="#">See Section 2.13</a> )	A04278	1	
4	OUTRIGGER ASSEMBLY, SHORT W/JACK HOLDER ( <a href="#">See Section 2.17</a> )	A09475	1	
5	OUTRIGGER ASSEMBLY, LONG FRONT ( <a href="#">See Section 2.10</a> )	015143	1	
6	OUTRIGGER ASSEMBLY, LONG REAR ( <a href="#">See Section 2.15</a> )	A12083	1	

## 2.5 Outriggers (LT50 w/FAO)



REF	DESCRIPTION (◆ INDICATES PARTS AVAILABLE IN ASSEMBLIES ONLY)	PART #	QTY.	
1	OUTRIGGER ASSEMBLY, OFFSET ADJUSTABLE ( <a href="#">See Section 2.19</a> )	056787	2	
2	OUTRIGGER ASSEMBLY, LOADING-SIDE ADJUSTABLE ( <a href="#">See Section 2.20</a> )	056781	2	
3	OUTRIGGER ASSEMBLY, FRONT ADJUSTABLE ( <a href="#">See Section 2.9</a> )	003944	1	
4	OUTRIGGER ASSEMBLY, REAR ADJUSTABLE ( <a href="#">See Section 2.21</a> )	056791	1	

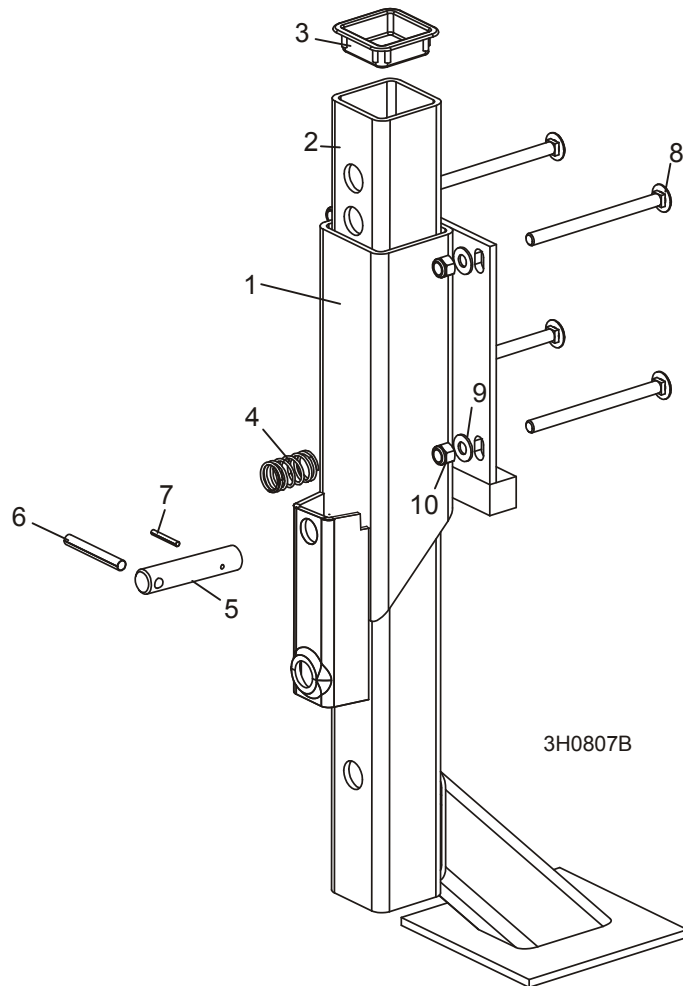


# 3 Parts List

## Outrigger Assembly, Long

### 2.6 Outrigger Assembly, Long

LT30HD Rev. H6.00+  
 LT35/LT35HD Rev. A1.00+  
 LT40HD Rev. H6.00+  
 LT30HD Super Rev. H6.00+  
 LT40HD Super Rev. H6.00+  
 LT50HD Rev. A1.00+  
 LT70HD Rev. A1.00+



REF	DESCRIPTION (◆ INDICATES PARTS AVAILABLE IN ASSEMBLIES ONLY)	PART #	QTY.
	<b>OUTRIGGER ASSEMBLY, LONG</b>	012997 <sup>1</sup>	1/2
1	Guide, Long Outrigger Guide	012996	1
2	Leg, Outrigger	016401	1
3	Cap, Outrigger Leg	P09926	1
4	Spring, Outrigger Pin	016145	1

**Parts List** 3  
*Outrigger Assembly, Long*

	Pin Kit, 3/4" Outrigger Pull	016148	1	
<b>5</b>	Pin, 3/4" Outrigger Pull	016147	1	◆
<b>6</b>	Pin, 5/16" X 2 1/2" Roll	F05012-47	1	
<b>7</b>	Pin, 3/16" X 1 3/4" Roll	F05012-103 <sup>2</sup>	1	
	Pin, 1/8" x 1 1/4" Cotter	F05012-59 <sup>2</sup>	1	
<b>8</b>	<b>BOLT, 3/8-16 X 5" CARRIAGE HEAD</b>	F05007-113	4/8	
<b>9</b>	<b>WASHER, 3/8" SAE FLAT</b>	F05011-3	4/8	
<b>10</b>	<b>NUT, 3/8-16 HEX NYLON LOCK</b>	F05010-10	4/8	

<sup>1</sup> Washers (2) removed from spring to improve outrigger locking pin operation (LT30HD/40HD Rev. H6.01, LT30HD/40HD Super Rev. H6.01). Washers may be removed on previous revisions with 3/4" diameter locking pins to improve operation.

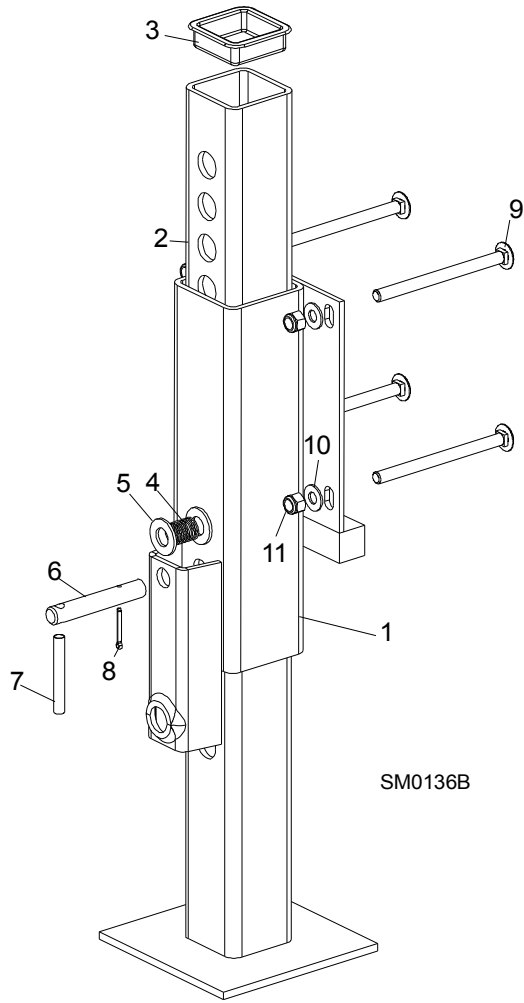
<sup>2</sup> Use F05012-103 3/16" X 1 3/4" Roll Pin for LT30HD/40HD H6.02, LT30HD/40HD Super H6.02 and later revision mills. Use F05012-59 1/8" x 1 1/4" Cotter Pin for all prior revision mills.

# 3 Parts List

## Outrigger Assembly, Long

### 2.7 Outrigger Assembly, Long

LT30HD Rev. G9.00 - H5.00  
 LT40HD Rev. G9.00 - H5.00  
 LT30HD Super Rev. H1.00 - H5.00  
 LT40HD Super Rev. H1.00 - H5.00



REF	DESCRIPTION (◆ INDICATES PARTS AVAILABLE IN ASSEMBLIES ONLY)	PART #	QTY.
	<b>OUTRIGGER ASSEMBLY, LONG</b>	012997 <sup>1</sup>	1/2
1	Guide, Long Outrigger Guide	012996	1
2	Leg, Outrigger	W07537	1
3	Cap, Outrigger Leg	P09926	1
4	Spring, Outrigger Pin	016145	1
5	Washer, 3/4" SAE Flat	F05011-62 <sup>2</sup>	2
	Pin Kit, 3/4" Outrigger Pull	016148	1

**Parts List** 3  
*Outrigger Assembly, Long*

<b>6</b>	Pin, 3/4" Outrigger Pull	016147	1	◆
<b>7</b>	Pin, 5/16" X 2 1/2" Roll	F05012-47	1	
<b>8</b>	Pin, 1/8" X 1 1/4" Cotter	F05012-59	1	
<b>9</b>	<b>BOLT, 3/8-16 X 5" CARRIAGE HEAD</b>	F05007-113	4/8	
<b>10</b>	<b>WASHER, 3/8" SAE FLAT</b>	F05011-3 <sup>3</sup>	4/8	
<b>11</b>	<b>NUT, 3/8-16 HEX NYLON LOCK</b>	F05010-10	4/8	

<sup>1</sup> Outrigger assembly now includes extended leg (11/99) to improve sawmill stability ([See Section 2.6](#)).

<sup>2</sup> Washers removed to improve outrigger locking pin operation (12/99). Washers may be removed on previous revisions with 3/4" diameter locking pins to improve operation.

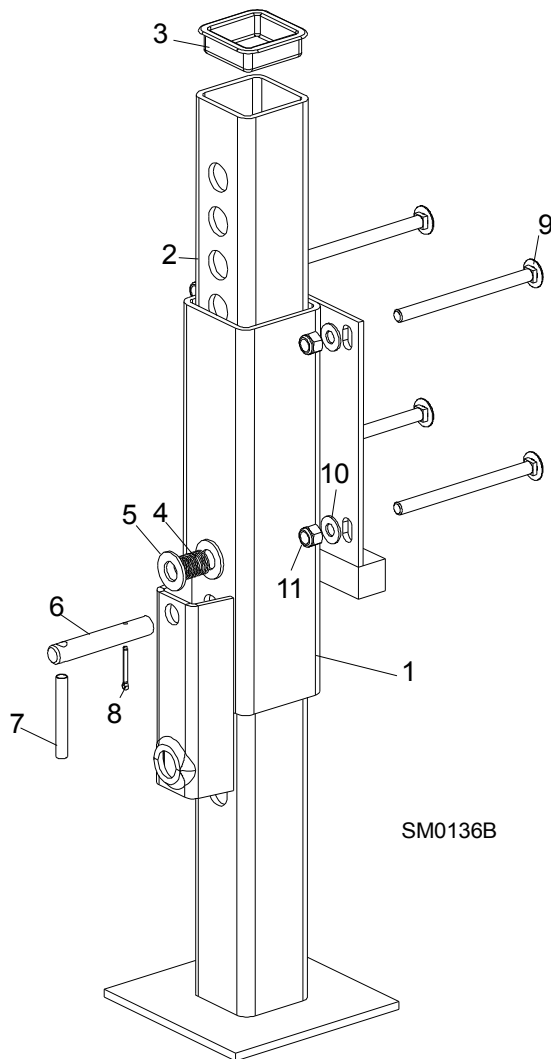
<sup>3</sup> Washers added 5/98.

# 3 Parts List

## Outrigger Assembly, Long

### 2.8 Outrigger Assembly, Long

**LT30HD**                      **Rev. G1.00 - G8.00**  
**LT40HD**                      **Rev. G1.00 - G8.00**  
**LT30HD Super**              **Rev. G1.00 - G9.00**  
**LT40HD Super**              **Rev. G1.00 - G9.00**



REF	DESCRIPTION (◆ INDICATES PARTS AVAILABLE IN ASSEMBLIES ONLY)	PART #	QTY.
	<b>OUTRIGGER ASSEMBLY, LONG</b>	012997 <sup>1</sup>	1/2
1	Guide, Long Outrigger Guide	012996	1
2	Leg, Outrigger	W07537 <sup>2</sup>	1
3	Cap, Outrigger Leg	P09926	1
4	Spring, Outrigger Pin	P04282 <sup>1</sup>	1

**Parts List** 3  
*Outrigger Assembly, Long*

<b>5</b>	Washer, 9/16" SAE Flat	F05011-8 <sup>1</sup>	2	
	Pin Kit, Outrigger Pull	A12232 <sup>1</sup>	1	
<b>6</b>	Pin, Outrigger Pull	S12261	1	◆
<b>7</b>	Pin, 5/16" X 2 1/2" Roll	F05012-47	1	
<b>8</b>	Pin, 1/8" X 1" Cotter	F05012-1	1	
<b>9</b>	<b>BOLT, 3/8-16 X 5" CARRIAGE HEAD</b>	F05007-113	4/8	
<b>10</b>	<b>WASHER, 3/8" SAE FLAT</b>	F05011-3 <sup>3</sup>	4/8	
<b>11</b>	<b>NUT, 3/8-16 HEX NYLON LOCK</b>	F05010-10	4/8	

<sup>1</sup> Outrigger upgraded with 3/4" retaining pin hardware 9/98 ([See Section 2.7](#)).

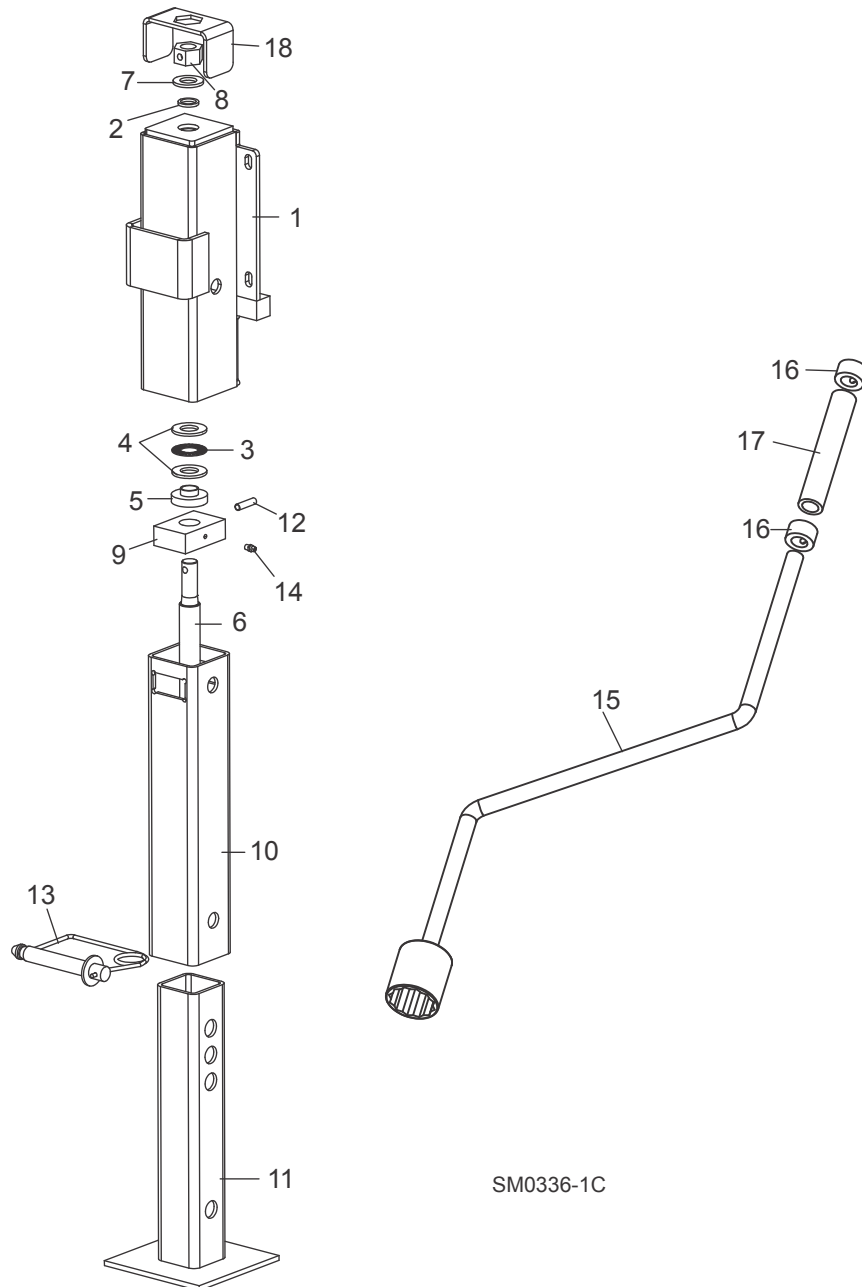
<sup>2</sup> Outrigger upgraded with extended leg 11/99 ([See Section 2.6](#)).

<sup>3</sup> Washers added 5/98.

### 3 Parts List

*Outrigger Assembly, Front (LT50 w/FAO Only)*

## 2.9 Outrigger Assembly, Front (LT50 w/FAO Only)



REF	DESCRIPTION (◆ INDICATES PARTS AVAILABLE IN ASSEMBLIES ONLY)	PART #	QTY.
	<b>OUTRIGGER ASSEMBLY, FRONT ADJUSTABLE</b>	003944	1
1	Mount Weldment, Front Adjustable Outrigger	003943	1
2	Seal, Outrigger Acme Screw	039641	1

*Outrigger Assembly, Front (LT50 w/FAO Only)*

	Bearing Assembly, Adjustable Outrigger Thrust	039639	1	
3	Bearing, Needle-Roller Thrust	039637	1	
4	Washer, Thrust Bearing	039638	2	
5	Sleeve, Outrigger Acme Screw	039645	1	◆
6	Screw, 1-5 Adjustable Outrigger Long Acme	039642	1	
7	Washer, 3/4" SAE Flat	F05011-62	1	
8	Nut, Adjustable Outrigger Hex	056774	1	
9	Nut, 1-5 Long Acme	039636	1	
10	Tube, Front Adjustable Outrigger Slide	003981	1	
11	Base Weldment, Adjustable Outrigger	056783	1	
12	Pin 5/16" x 1 1/4" Roll	F05012-127	1	
13	Pin, Adjustable Outrigger Locking	056817	1	
	Fitting, 1/4-28 Grease	P05060	1	
	Inst. Sheet, Adjustable Outrigger	FAO-1524	1	
	<b>HANDLE ASSEMBLY, ADJUSTABLE OUTRIGGER CRANK</b>	056831	1	
14	Handle Weldment, Adjustable Outrigger Crank	056827	1	
15	Collar, 1/2" ID x 7/8" OD Lock	014820	2	
16	Tube, Outrigger Crank Handle	056830	1	
17	<b>BRACKET, ADJUSTABLE OUTRIGGER LOCK (OPTIONAL)</b>	059577	1	

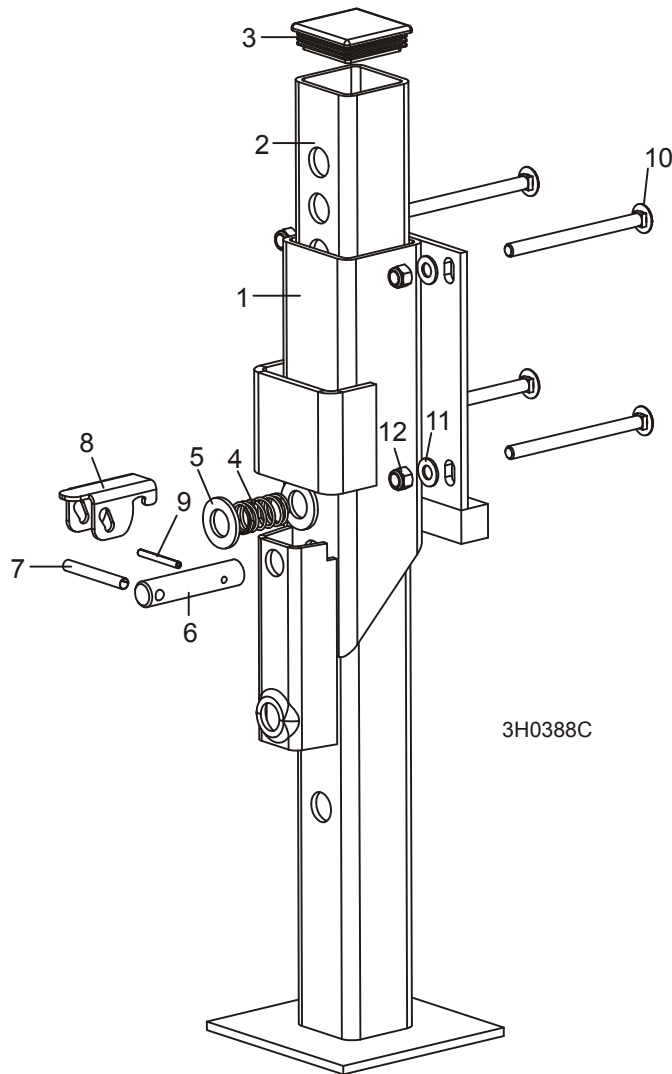


# 3 Parts List

*Outrigger Assembly, Front*

## 2.10 Outrigger Assembly, Front

LT35/LT35HD      Rev. A1.00+  
 LT40HD            Rev. G9.00+  
 LT40HD Super    Rev. H1.00+  
 LT50HD            Rev. A1.00+  
 LT70HD            Rev. A1.00+



REF	DESCRIPTION (◆ INDICATES PARTS AVAILABLE IN ASSEMBLIES ONLY)	PART #	QTY.	
	<b>OUTRIGGER ASSEMBLY, FRONT</b>	015143	1	
<b>1</b>	Guide, Front Outrigger '97 Super	015144	1	
<b>2</b>	Leg, Outrigger	W07537	1	

**Parts List** 3  
*Outrigger Assembly, Front*

<b>3</b>	Cap, Outrigger Leg	P09926	1	
<b>4</b>	Spring, Outrigger Pin	016145	1	
<b>5</b>	Washer, 3/4" SAE Flat	F05011-62 <sup>1</sup>	2	
	Pin Assembly, Outrigger Pull w/Lock	007736 <sup>2</sup>	1	
<b>6</b>	Pin, 3/4" Outrigger Pull	016147	1	◆
<b>7</b>	Pin, 5/16" X 2 1/2" Roll	F05012-47	1	
<b>8</b>	Plate, Outrigger Pin Lock	064001	1	
<b>9</b>	Pin, 3/16" X 1 1/2" Roll	F05012-17 <sup>3</sup>	1	
	Pin, 1/8" x 1 1/4" Cotter	F05012-59 <sup>3</sup>	1	
<b>10</b>	<b>BOLT, 3/8-16 X 5" CARRIAGE HEAD</b>	F05007-113	4/8	
<b>11</b>	<b>WASHER, 3/8" SAE FLAT</b>	F05011-3	4/8	
<b>12</b>	<b>NUT, 3/8-16 HEX NYLON LOCK</b>	F05010-10	4/8	

<sup>1</sup> Washers removed to improve outrigger locking pin operation (LT30HD/40HD Rev. H6.01, LT30HD/40HD Super Rev. H6.01). Washers may be removed on previous revisions with 3/4" diameter locking pins to improve operation.

<sup>2</sup> Pin Assembly 007736 with Lock Plate 064001 replaces Pin Kit 016148 on Front and Rear outrigger assemblies to prevent pin from vibrating loose (12/09).

<sup>3</sup> Replaced F05012-103 3/16" X 1 3/4" Roll Pin (1/12). Use 05012-17 3/16" X 1 1/2" Roll Pin for LT30HD/40HD H6.02, LT30HD/40HD Super H6.02 and later revision mills. Use F05012-59 1/8" x 1 1/4" Cotter Pin for all prior revision mills.

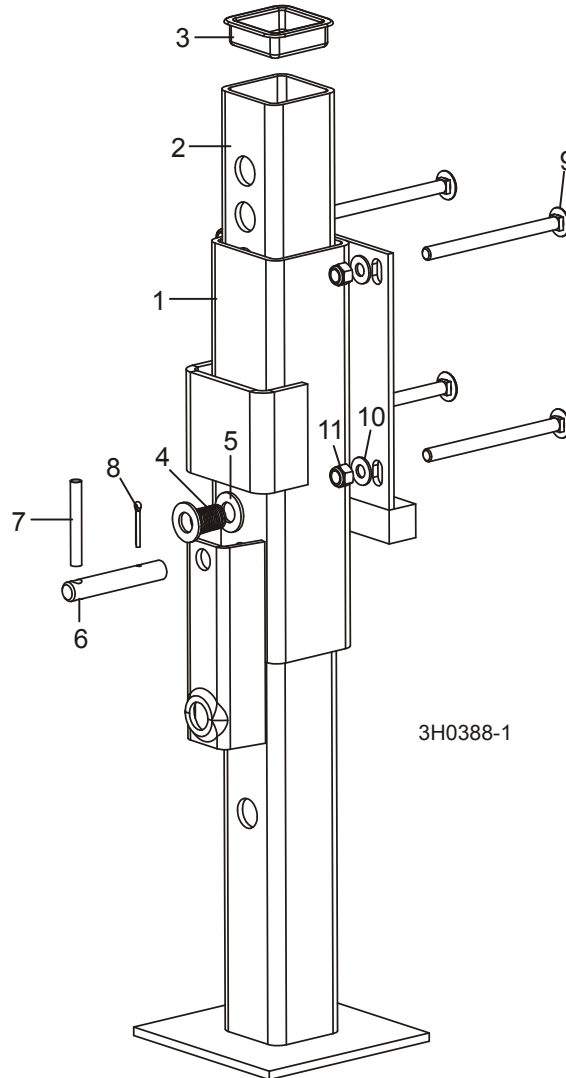
# 3 Parts List

## Outrigger Assembly, Front

### 2.11 Outrigger Assembly, Front

LT40HD  
LT40HD Super

Rev. G1.00 - G8.00  
Rev. G1.00 - G9.00



REF	DESCRIPTION (◆ INDICATES PARTS AVAILABLE IN ASSEMBLIES ONLY)	PART #	QTY.
	<b>OUTRIGGER ASSEMBLY, FRONT</b>	015143 <sup>1</sup>	1/2
1	Guide, Front Outrigger '97 Super	015144	1
2	Leg, Outrigger	W07537	1
3	Cap, Outrigger Leg	P09926	1
4	Spring, Outrigger Pin	P04282	1
5	Washer, 9/16" SAE Flat	F05011-8	2
	Pin Kit, Outrigger Pull	A12232	1

**Parts List** 3  
*Outrigger Assembly, Front*

<b>6</b>	Pin, Outrigger Pull	S12261	1	◆
<b>7</b>	Pin, 5/16" X 2 1/2" Roll	F05012-47	1	
<b>8</b>	Pin, 1/8" X 1" Cotter	F05012-1	1	
<b>9</b>	<b>BOLT, 3/8-16 X 5" CARRIAGE HEAD</b>	F05007-113	4/8	
<b>10</b>	<b>WASHER, 3/8" SAE FLAT</b>	F05011-3 <sup>2</sup>	4/8	
<b>11</b>	<b>NUT, 3/8-16 HEX NYLON LOCK</b>	F05010-10	4/8	

<sup>1</sup> Outrigger upgraded with 3/4" retaining pin hardware 9/98 ([See Section 2.10](#)).

<sup>2</sup> Washers added 5/98.

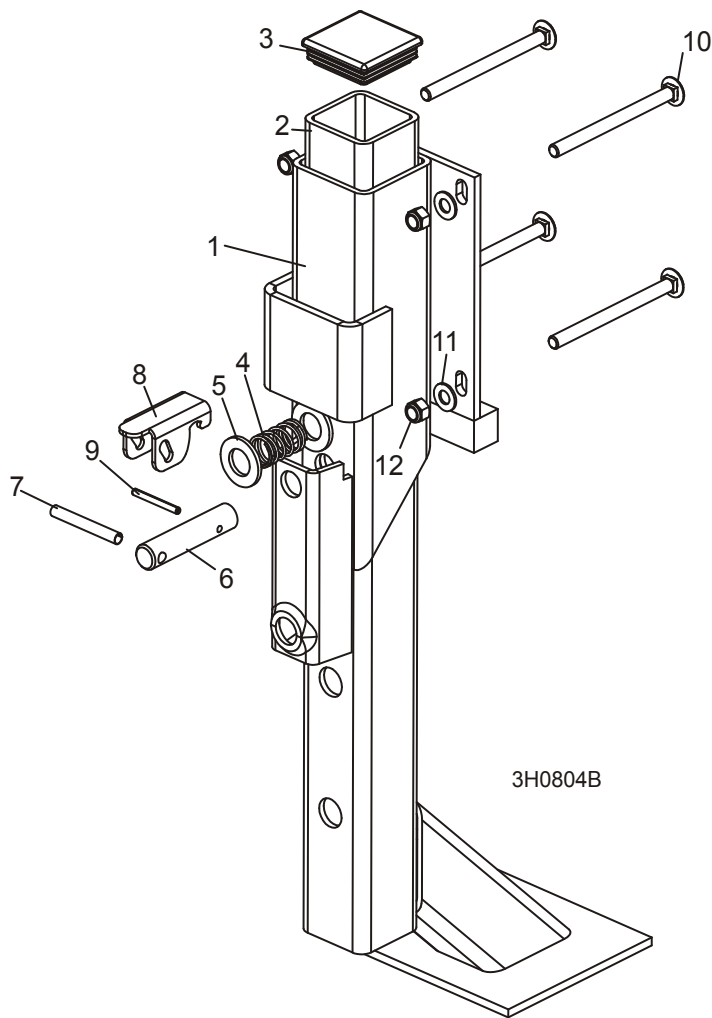
# 3 Parts List

*Outrigger Assembly, Long (LT30HD Super)*

## 2.12 Outrigger Assembly, Long (LT30HD Super)

LT30HD Super

Rev. H6.00+



REF	DESCRIPTION (◆ INDICATES PARTS AVAILABLE IN ASSEMBLIES ONLY)	PART #	QTY.	
	<b>OUTRIGGER ASSEMBLY, LONG</b>	016414	1	
1	Guide, Long Outrigger Guide	015144	1	
2	Leg, Outrigger	016401	1	
3	Cap, Outrigger Leg	P09926	1	
4	Spring, Outrigger Pin	016145	1	
5	Washer, 3/4" SAE Flat	F05011-62 <sup>1</sup>	2	
	Pin Assembly, Outrigger Pull w/Lock	007736 <sup>2</sup>	1	
6	Pin, 3/4" Outrigger Pull	016147	1	◆
7	Pin, 5/16" X 2 1/2" Roll	F05012-47	1	
8	Plate, Outrigger Pin Lock	064001	1	

9	Pin, 3/16" X 1 1/2" Roll	F05012-17 <sup>3</sup>	1	
	Pin, 1/8" x 1 1/4" Cotter	F05012-59 <sup>3</sup>	1	
10	<b>BOLT, 3/8-16 X 5" CARRIAGE HEAD</b>	F05007-113	4/8	
11	<b>WASHER, 3/8" SAE FLAT</b>	F05011-3	4/8	
12	<b>NUT, 3/8-16 HEX NYLON LOCK</b>	F05010-10	4/8	

<sup>1</sup> Washers removed to improve outrigger locking pin operation (LT30HD Super Rev. H6.01). Washers may be removed on previous revisions with 3/4" diameter locking pins to improve operation.

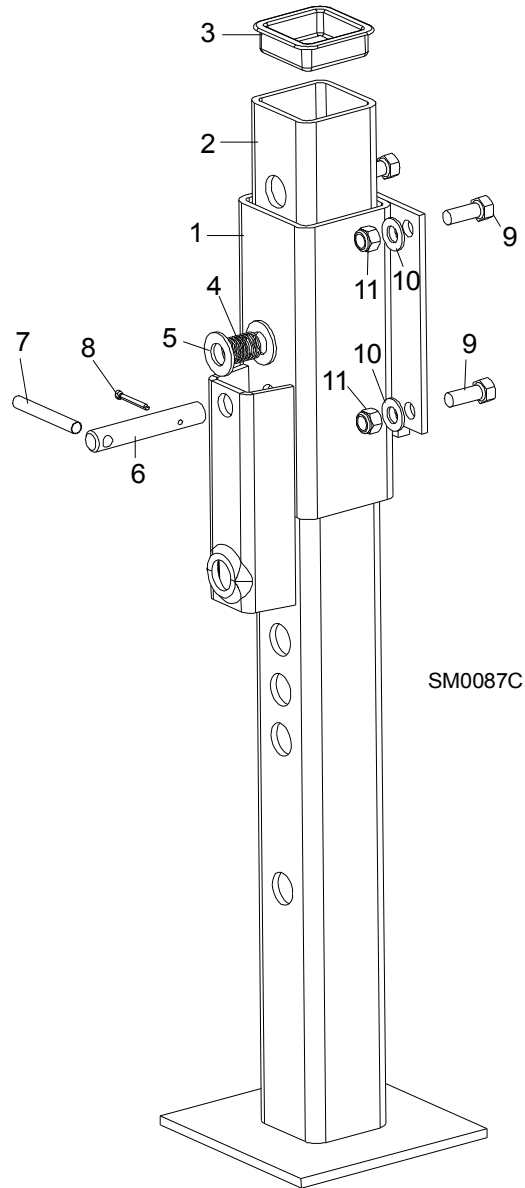
<sup>2</sup> Pin Assembly 007736 with Lock Plate 064001 replaces Pin Kit 016148 on Front and Rear outrigger assemblies to prevent pin from vibrating loose (12/09) .

<sup>3</sup> Replaced F05012-103 3/16" X 1 3/4" Roll Pin (1/12). Use 05012-17 3/16" X 1 1/2" Roll Pin for LT30HD/40HD H6.02, LT30HD/40HD Super H6.02 and later revision mills. Use F05012-59 1/8" x 1 1/4" Cotter Pin for all prior revision mills.

**3** **Parts List**  
*Outrigger Assembly, Short Front*

**2.13 Outrigger Assembly, Short Front**

*LT30HD Rev. G9.00+*  
*LT35/LT35HD Rev. A1.00+*  
*LT40HD Rev. G9.00+*  
*LT30HD Super Rev. H1.00+*  
*LT40HD Super Rev. H1.00+*  
*LT50HD Rev. A1.00+*  
*LT70HD Rev. A1.00+*



REF	DESCRIPTION (◆ INDICATES PARTS AVAILABLE IN ASSEMBLIES ONLY)	PART #	QTY.	
	OUTRIGGER ASSEMBLY, SHORT FRONT	A04278	1	

**Parts List** 3  
*Outrigger Assembly, Short Front*

1	Guide, Short Front Outrigger Guide	W09012	1	
2	Leg, Outrigger	W07537	1	
3	Cap, Outrigger Leg	P09926	1	
4	Spring, Outrigger Pin	016145	1	
5	Washer, 3/4" SAE Flat	F05011-62 <sup>1</sup>	2	
	Pin Kit, 3/4" Outrigger Pull	016148	1	
6	Pin, 3/4" Outrigger Pull	016147	1	◆
7	Pin, 5/16" X 2 1/2" Roll	F05012-47	1	
8	Pin, 3/16" X 1 3/4" Roll	F05012-103 <sup>2</sup>	1	
	Pin, 1/8" x 1 1/4" Cotter	F05012-59 <sup>2</sup>	1	
9	<b>BOLT, 3/8-16 X 1 1/4" HEX HEAD</b>	F05007-2 <sup>3</sup>	4	
10	<b>WASHER, 3/8" FLAT</b>	F05011-3	4	
11	<b>NUT, 3/8-16 HEX NYLON LOCK</b>	F05010-10	4	

<sup>1</sup> Washers removed to improve outrigger locking pin operation (LT30HD/40HD Rev. H6.01, LT30HD/40HD Super Rev. H6.01). Washers may be removed on previous revisions with 3/4" diameter locking pins to improve operation.

<sup>2</sup> Use F05012-103 3/16" X 1 3/4" Roll Pin for LT30HD/40HD H6.02, LT30HD/40HD Super H6.02 and later revision mills. Use F05012-59 1/8" x 1 1/4" Cotter Pin for all prior revision mills.

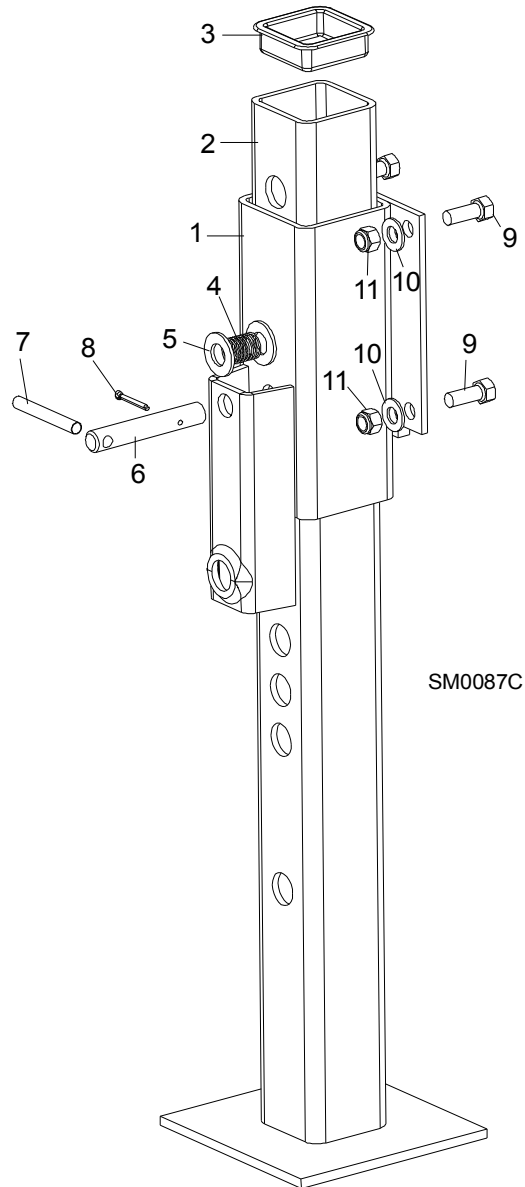
<sup>3</sup> Replaces 3/8-16 x 1" Hex Head Grade 2 Bolt (F05007-7) to secure outrigger with thicker 1/4" mounting plate provided after 11/99.



**3** **Parts List**  
*Outrigger Assembly, Short Front*

**2.14 Outrigger Assembly, Short Front**

*LT30HD Rev. G1.00 - G8.00*  
*LT40HD Rev. G1.00 - G8.00*  
*LT30HD Super Rev. G1.00 - G9.00*  
*LT40HD Super Rev. G1.00 - G9.00*



REF	DESCRIPTION (◆ Indicates Parts Available In Assemblies Only)	PART #	QTY.	
	<b>OUTRIGGER ASSEMBLY, SHORT FRONT</b>	A04278 <sup>1</sup>	1	
<b>1</b>	Guide, Short Front Outrigger Guide	W09012	1	
<b>2</b>	Leg, Outrigger	W07537	1	

**Parts List** 3  
*Outrigger Assembly, Short Front*

<b>3</b>	Cap, Outrigger Leg	P09926	1	
<b>4</b>	Spring, Outrigger Pin	P04282	1	
<b>5</b>	Washer, 9/16" SAE Flat	F05011-8	2	
	Pin Kit, Outrigger Pull	A12232	1	
<b>6</b>	Pin, Outrigger Pull	S12261	1	◆
<b>7</b>	Pin, 5/16" X 2 1/2" Roll	F05012-47	1	
<b>8</b>	Pin, 1/8" X 1" Cotter	F05012-1	1	
<b>9</b>	<b>BOLT, 3/8-16 X 1 1/4" HEX HEAD</b>	F05007-2 <sup>2</sup>	4	
<b>10</b>	<b>WASHER, 3/8" FLAT</b>	F05011-3	4	
<b>11</b>	<b>NUT, 3/8-16 HEX NYLON LOCK</b>	F05010-10	4	

<sup>1</sup> Outrigger upgraded with 3/4" retaining pin hardware 9/98 ([See Section 2.13](#)).

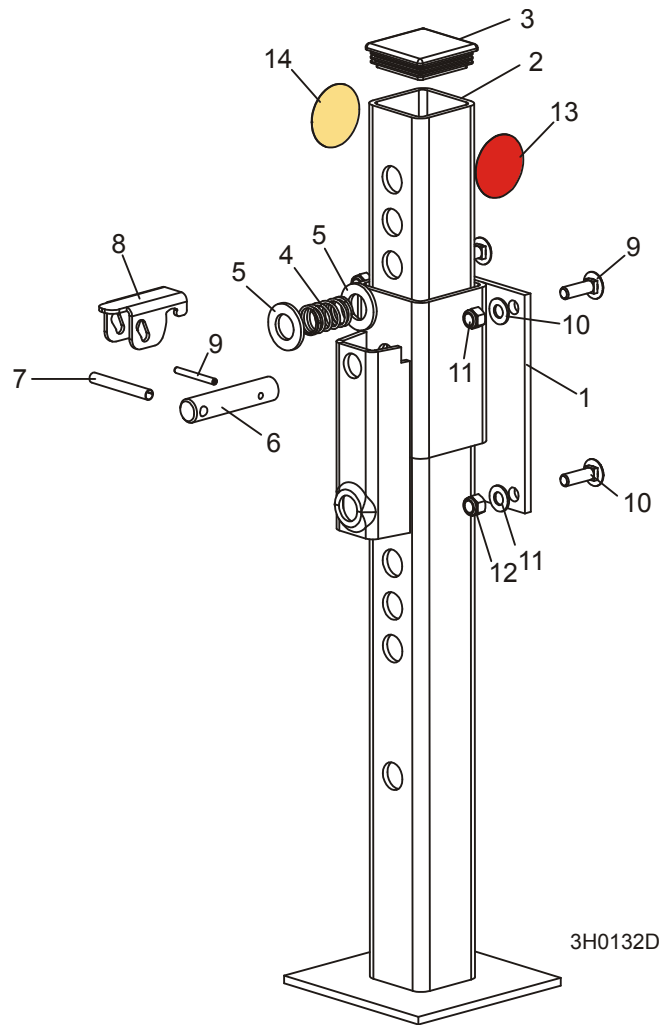
<sup>2</sup> Replaces 3/8-16 x 1" Hex Head Grade 2 Bolt (F05007-7) to secure outrigger with thicker 1/4" mounting plate provided after 11/99.

# 3 Parts List

## Outrigger Assembly, Rear

### 2.15 Outrigger Assembly, Rear

LT35/LT35HD Rev. A1.00+  
 LT40HD Rev. G9.00+  
 LT40HD Super Rev. H1.00+  
 LT50HD Rev. A1.00+  
 LT70HD Rev. A1.00+



REF	DESCRIPTION (◆ INDICATES PARTS AVAILABLE IN ASSEMBLIES ONLY)	PART #	QTY.
	<b>OUTRIGGER ASSEMBLY, LT40 REAR</b>	A12083	1
1	Guide, Short Rear Outrigger Guide	W12082	1
2	Leg, Outrigger	W07537	1
3	Cap, Outrigger Leg	P09926	1
4	Spring, Outrigger Pin	016145	1
5	Washer, 3/4" SAE Flat	F05011-62 <sup>1</sup>	2

**Parts List** 3  
*Outrigger Assembly, Rear*

	Pin Assembly, Outrigger Pull w/Lock	007736 <sup>2</sup>	1	
<b>6</b>	Pin, 3/4" Outrigger Pull	016147	1	◆
<b>7</b>	Pin, 5/16" X 2 1/2" Roll	F05012-47	1	
<b>8</b>	Plate, Outrigger Pin Lock	064001	1	
<b>9</b>	Pin, 3/16" X 1 1/2" Roll	F05012-17 <sup>3</sup>	1	
	Pin, 1/8" x 1 1/4" Cotter	F05012-59 <sup>3</sup>	1	
<b>10</b>	<b>BOLT, 3/8-16 X 1 1/4" CARRIAGE HEAD</b>	F05007-11 <sup>4</sup>	4	
<b>11</b>	<b>WASHER, 3/8" FLAT</b>	F05011-3	4	
<b>12</b>	<b>NUT, 3/8-16 HEX NYLON LOCK</b>	F05010-10	4	
<b>13</b>	<b>REFLECTOR, 2" DIAMETER RED</b>	P07452	1	
<b>14</b>	<b>REFLECTOR, 2" DIAMETER AMBER</b>	P07453	1	

<sup>1</sup> Washers removed to improve outrigger locking pin operation (LT40HD Rev. H6.01 and LT40HD Super Rev. H6.01). Washers may be removed on previous revisions with 3/4" diameter locking pins to improve operation.

<sup>2</sup> Pin Assembly 007736 with Lock Plate 064001 replaces Pin Kit 016148 on Front and Rear outrigger assemblies to prevent pin from vibrating loose (12/09) .

<sup>3</sup> Replaced F05012-103 3/16" X 1 3/4" Roll Pin (1/12). Use 05012-17 3/16" X 1 1/2" Roll Pin for LT30HD/40HD H6.02, LT30HD/40HD Super H6.02 and later revision mills. Use F05012-59 1/8" x 1 1/4" Cotter Pin for all prior revision mills.

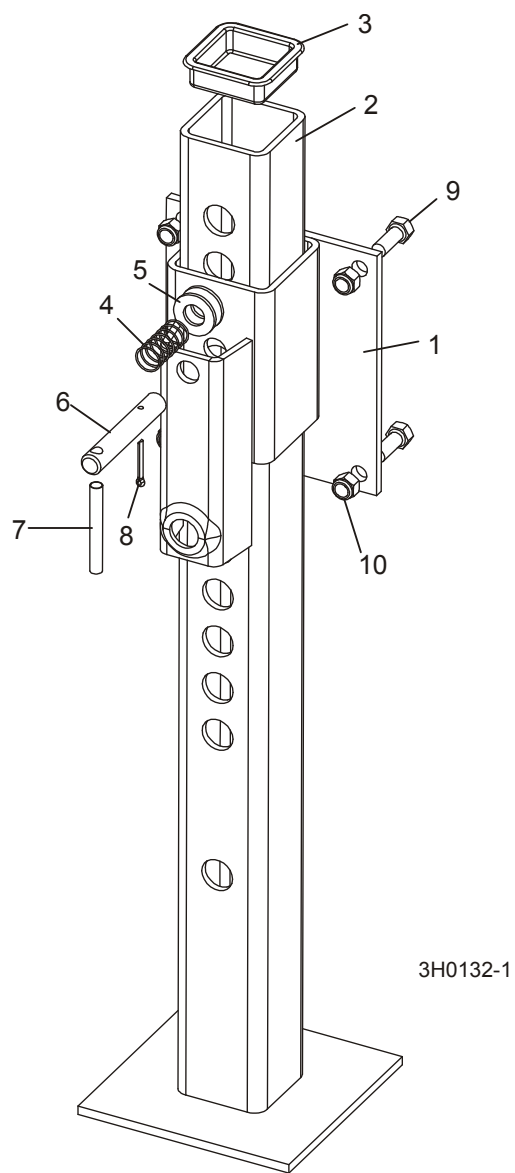
<sup>4</sup> Replaces hex head bolts F05007-2 and F05007-7 supplied before 5/03.

# 3 Parts List

## Outrigger Assembly, Rear

### 2.16 Outrigger Assembly, Rear

LT40HD Rev. G1.00 - G8.00  
 LT40HD Super Rev. G1.00 - G9.00



REF	DESCRIPTION (◆ INDICATES PARTS AVAILABLE IN ASSEMBLIES ONLY)	PART #	QTY.	
	<b>OUTRIGGER ASSEMBLY, LT40 REAR</b>	A12083 <sup>1</sup>	1	
1	Guide, Short Rear Outrigger Guide	W12082	1	
2	Leg, Outrigger	W07537	1	
3	Cap, Outrigger Leg	P09926	1	
4	Spring, Outrigger Pin	P04282	1	
5	Washer, 9/16" SAE Flat	F05011-8	2	

**Parts List** 3  
*Outrigger Assembly, Rear*

	Pin Kit, Outrigger Pull	A12232	1	
<b>6</b>	Pin, Outrigger Pull	S12261	1	◆
<b>7</b>	Pin, 5/16" X 2 1/2" Roll	F05012-47	1	
<b>8</b>	Pin, 1/8" X 1" Cotter	F05012-1	1	
<b>9</b>	<b>SCREW, 3/8-16 X 1 1/4" HEX HEX CAP</b>	F05007-2 <sup>2</sup>	4	
<b>10</b>	<b>NUT, 3/8-16 HEX NYLON LOCK</b>	F05010-10	4	

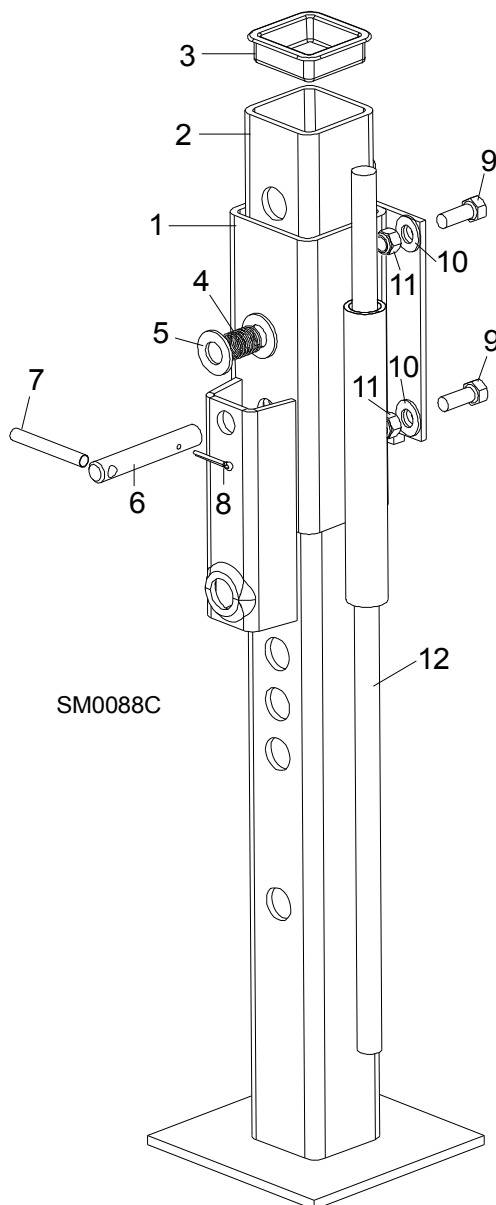
<sup>1</sup> Outrigger upgraded with 3/4" retaining pin hardware 9/98 ([See Section 2.15](#)).

<sup>2</sup> Replaces 3/8-16 x 1" Hex Head Grade 2 Bolt (F05007-7) in order to secure outrigger with thicker 1/4" mounting plate provided after 11/99.

**3** **Parts List**  
*Outrigger Assembly, Short Rear*

**2.17 Outrigger Assembly, Short Rear**

<i>LT30HD</i>	<i>Rev. G9.00+</i>
<i>LT35/LT35HD</i>	<i>Rev. A1.00+</i>
<i>LT40HD</i>	<i>Rev. G9.00+</i>
<i>LT30HD Super</i>	<i>Rev. H1.00+</i>
<i>LT40HD Super</i>	<i>Rev. H1.00+</i>
<i>LT50HD</i>	<i>Rev. A1.00+</i>
<i>LT70HD</i>	<i>Rev. A1.00+</i>



REF	DESCRIPTION (◆ Indicates Parts Available In Assemblies Only)	PART #	QTY.
-----	--------------------------------------------------------------	--------	------

**Parts List** 3  
*Outrigger Assembly, Short Rear*

<b>OUTRIGGER ASSEMBLY, SHORT REAR</b>		A09475	1	
<b>1</b>	Guide, Short Rear Outrigger Guide	W09474	1	
<b>2</b>	Leg, Outrigger	W07537	1	
<b>3</b>	Cap, Outrigger Leg	P09926	1	
<b>4</b>	Spring, Outrigger Pin	016145	1	
<b>5</b>	Washer, 3/4" SAE Flat	F05011-62 <sup>1</sup>	2	
	Pin Kit, 3/4" Outrigger Pull	016148	1	
<b>6</b>	Pin, 3/4" Outrigger Pull	016147	1	◆
<b>7</b>	Pin, 5/16" X 2 1/2" Roll	F05012-47	1	
<b>8</b>	Pin, 3/16" X 1 3/4" Roll	F05012-103 <sup>2</sup>	1	
	Pin, 1/8" x 1 1/4" Cotter	F05012-59 <sup>2</sup>	1	
<b>9</b>	<b>SCREW, 3/8-16 X 1 1/4" HEX HEX CAP</b>	F05007-2 <sup>3</sup>	4	
<b>10</b>	<b>WASHER, 3/8" FLAT</b>	F05011-3	4	
<b>11</b>	<b>NUT, 3/8-16 HEX NYLON LOCK</b>	F05010-10	4	
<b>12</b>	<b>HANDLE, OUTRIGGER LIFT</b>	S04827	1	

<sup>1</sup> Washers removed to improve outrigger locking pin operation (LT30HD/40HD Rev. H6.01, LT30HD/40HD Super Rev. H6.01). Washers may be removed on previous revisions with 3/4" diameter locking pins to improve operation.

<sup>2</sup> Use F05012-103 3/16" X 1 3/4" Roll Pin for LT30HD/40HD H6.02, LT30HD/40HD Super H6.02 and later revision mills. Use F05012-59 1/8" x 1 1/4" Cotter Pin for all prior revision mills.

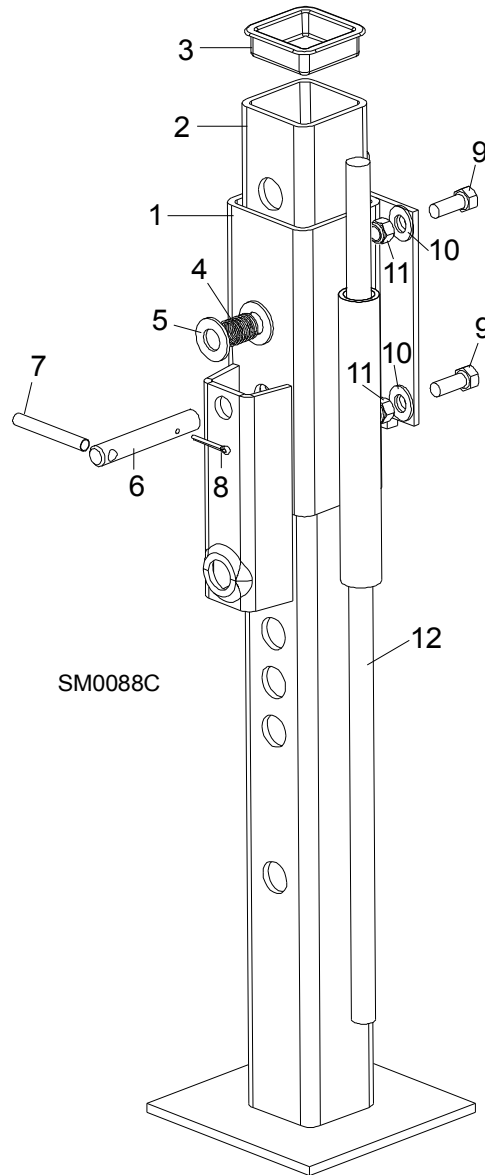
<sup>3</sup> Replaces 3/8-16 x 1" Hex Head Grade 2 Bolt (F05007-7) in order to secure outrigger with thicker 1/4" mounting plate provided after 11/99.



**3** **Parts List**  
*Outrigger Assembly, Short Rear*

**2.18 Outrigger Assembly, Short Rear**

*LT30HD Rev. G1.00 - G8.00*  
*LT40HD Rev. G1.00 - G8.00*  
*LT30HD Super Rev. G1.00 - G9.00*  
*LT40HD Super Rev. G1.00 - G9.00*



REF	DESCRIPTION (◆ INDICATES PARTS AVAILABLE IN ASSEMBLIES ONLY)	PART #	QTY.	
	<b>OUTRIGGER ASSEMBLY, SHORT REAR</b>	A09475 <sup>1</sup>	1	
<b>1</b>	Guide, Short Rear Outrigger Guide	W09474	1	
<b>2</b>	Leg, Outrigger	W07537	1	

**Parts List** 3  
*Outrigger Assembly, Short Rear*

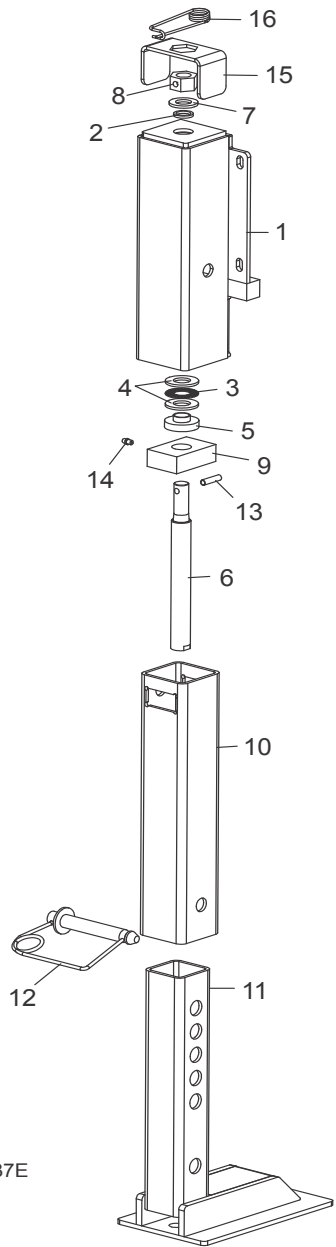
<b>3</b>	Cap, Outrigger Leg	P09926	1	
<b>4</b>	Spring, Outrigger Pin	P04282	1	
<b>5</b>	Washer, 9/16" SAE Flat	F05011-8	2	
	Pin Kit, Outrigger Pull	A12232	1	
<b>6</b>	Pin, Outrigger Pull	S12261	1	◆
<b>7</b>	Pin, 5/16" X 2 1/2" Roll	F05012-47	1	
<b>8</b>	Pin, 1/8" X 1" Cotter	F05012-1	1	
<b>9</b>	<b>SCREW, 3/8-16 X 1 1/4" HEX HEX CAP</b>	F05007-2 <sup>2</sup>	4	
<b>10</b>	<b>WASHER, 3/8" FLAT</b>	F05011-3	4	
<b>11</b>	<b>NUT, 3/8-16 HEX NYLON LOCK</b>	F05010-10	4	
<b>12</b>	<b>HANDLE, OUTRIGGER LIFT</b>	S04827	1	

<sup>1</sup> Outrigger upgraded with 3/4" retaining pin hardware 9/98 ([See Section 2.17](#)).

<sup>2</sup> Replaces 3/8-16 x 1" Hex Head Grade 2 Bolt (F05007-7) in order to secure outrigger with thicker 1/4" mounting plate provided after 11/99.

**3** **Parts List**  
*Outrigger Assembly, Offset (LT50 w/FAO Only)*

**2.19 Outrigger Assembly, Offset (LT50 w/FAO Only)**



SM0337E

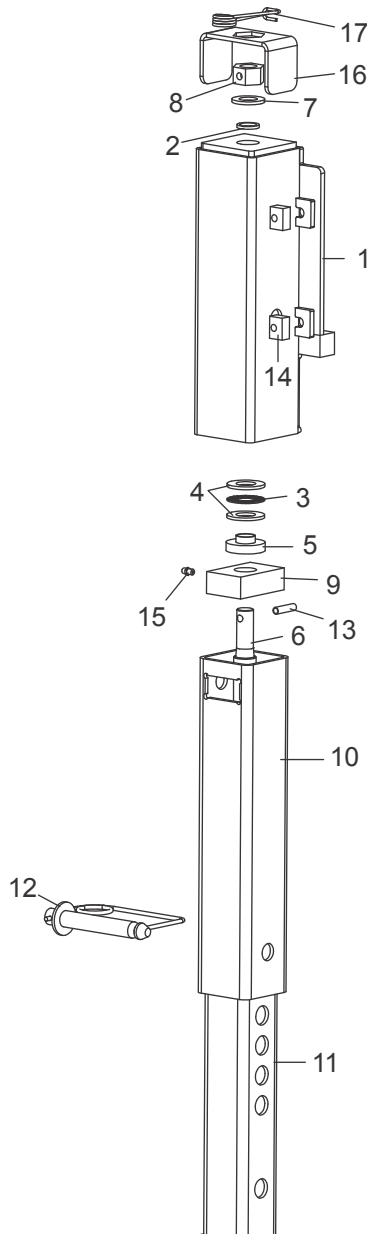
REF	DESCRIPTION (◆ Indicates Parts Available In Assemblies Only)	PART #	QTY.
	<b>OUTRIGGER ASSEMBLY, OFFSET ADJUSTABLE</b>	056787	2
1	Mount Weldment, Offset Adjustable Outrigger	003945	1
2	Seal, Outrigger Acme Screw	039641	1
	Bearing Assembly, Adjustable Outrigger Thrust	039639	1
3	Bearing, Needle-Roller Thrust	039637	1
4	Washer, Thrust Bearing	039638	2

*Outrigger Assembly, Offset (LT50 w/FAO Only)*

5	Sleeve, Outrigger Acme Screw	039645	1	
6	Screw, 1-5 Adjustable Outrigger Long Acme	039642	1	
7	Washer, 3/4" SAE Flat	F05011-62	1	
8	Nut, Adjustable Outrigger Hex	056774	1	
9	Nut, 1-5 Long Acme	039636	1	
10	Tube, Front Adjustable Outrigger Slide	003981	1	
11	Base Weldment, Offset Adjustable Outrigger	056788	1	
12	Pin, Adjustable Outrigger Locking	056817	1	
13	Pin 5/16" x 1 1/4" Roll	F05012-127	1	
14	Fitting, 1/4-28 Grease	P05060	1	
	Inst. Sheet, Adjustable Outrigger	FAO-1524	1	
15	<b>BRACKET, ADJUSTABLE OUTRIGGER LOCK (OPTIONAL)</b>	059577	1	

**3** **Parts List**  
*Outrigger Assembly, Loading-Side (LT50 w/FAO Only)*

**2.20 Outrigger Assembly, Loading-Side (LT50 w/FAO Only)**



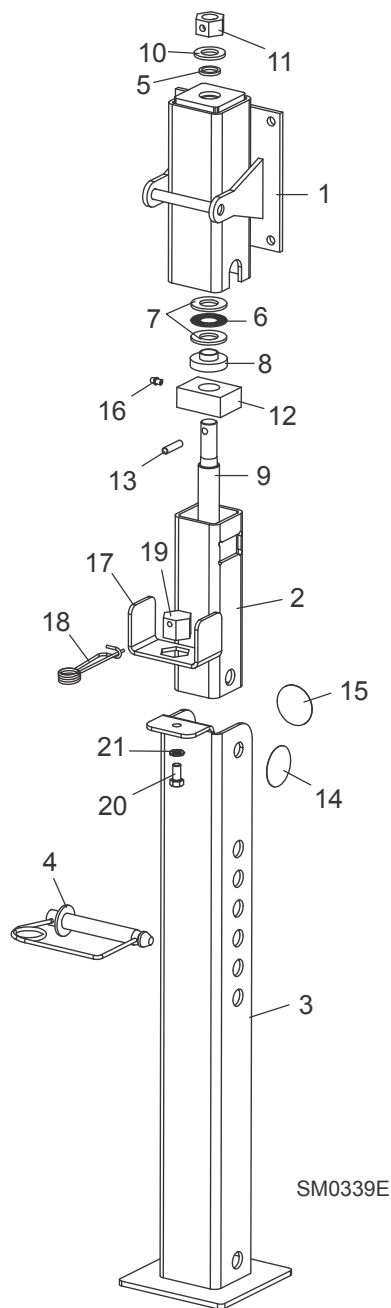
REF	DESCRIPTION (◆ Indicates Parts Available In Assemblies Only)	PART #	QTY.	
	<b>OUTRIGGER ASSEMBLY, LOADING SIDE ADJUSTABLE</b>	056781	2	
<b>1</b>	Mount Weldment, Loading Side Adjustable Outrigger	056780	1	
<b>2</b>	Seal, Outrigger Acme Screw	039641	1	
	Bearing Assembly, Adjustable Outrigger Thrust	039639	1	
<b>3</b>	Bearing, Needle-Roller Thrust	039637	1	
<b>4</b>	Washer, Thrust Bearing	039638	2	

*Outrigger Assembly, Loading-Side (LT50 w/FAO Only)*

5	Sleeve, Outrigger Acme Screw	039645	1	
6	Screw, 1-5 Adjustable Outrigger Long Acme	039642	1	
7	Washer, 3/4" SAE Flat	F05011-62	1	
8	Nut, Adjustable Outrigger Hex	056774	1	
9	Nut, 1-5 Long Acme	039636	1	
10	Tube, Adjustable Outrigger Slide	003981	1	
11	Base Weldment, Loading Side Adjustable Outrigger	056783	1	
12	Pin, Adjustable Outrigger Locking	056817	1	
13	Pin 5/16" x 1 1/4" Roll	F05012-127	1	
14	Nut, Adjustable Outrigger Mounting	056826	4	
15	Fitting, 1/4-28 Grease	P05060	1	
	Inst. Sheet, Adjustable Outrigger	FAO-1524	1	
16	<b>BRACKET, ADJUSTABLE OUTRIGGER LOCK (OPTIONAL)</b>	059577	1	

**3** **Parts List**  
*Outrigger Assembly, Rear (LT50 w/FAO Only)*

**2.21 Outrigger Assembly, Rear (LT50 w/FAO Only)**



REF	DESCRIPTION (◆ Indicates Parts Available In Assemblies Only)	PART #	QTY.	
	<b>OUTRIGGER ASSEMBLY, REAR ADJUSTABLE</b>	056791	1	
<b>1</b>	Mount Weldment, Rear Adjustable Outrigger	056815	1	
<b>2</b>	Tube, Rear Adjustable Outrigger Slide	056795	1	

*Outrigger Assembly, Rear (LT50 w/FAO Only)*

3	Base Weldment, Rear Adjustable Outrigger	056816	1	
4	Pin, Adjustable Outrigger Locking	056817	1	
5	Seal, Outrigger Acme Screw	039641	1	
	Bearing Assembly, Adjustable Outrigger Thrust	039639	1	
6	Bearing, Needle-Roller Thrust	039637	1	
7	Washer, Thrust Bearing	039638	2	
8	Sleeve, Outrigger Acme Screw	039645	1	
9	Screw, 1-5 Adjustable Outrigger Short Acme	056818	1	
10	Washer, 3/4" SAE Flat	F05011-62	1	
11	Nut, Adjustable Outrigger Hex	056774	1	
12	Nut, 1-5 Short Acme	056823	1	
13	Pin 5/16" x 1 1/4" Roll	F05012-127	1	
14	Decal, 2" Dia. Red Reflector	P07452	1	
15	Decal, 2" Dia. Amber Reflector	P07453	1	
16	Fitting, 1/4-28 Grease	P05060	1	
	Inst. Sheet, Adjustable Outrigger	FAO-1524	1	
17	<b>BRACKET, ADJUSTABLE OUTRIGGER LOCK (OPTIONAL)</b>	059577	1	

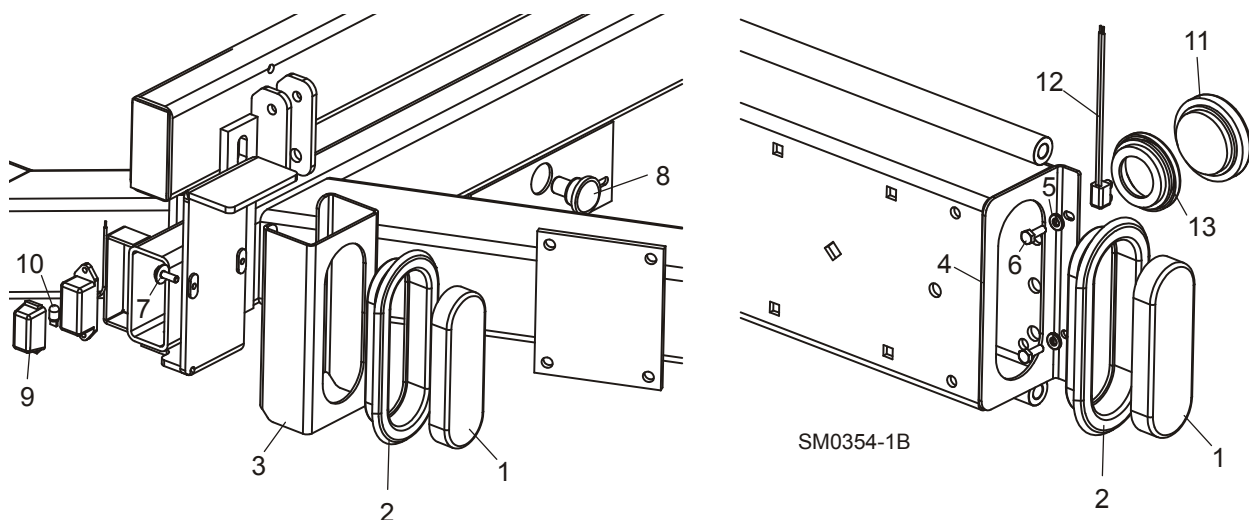


# 3 Parts List

## Trailer Lights

### 2.22 Trailer Lights

LT30HD	Rev. K2.00+
LT35/LT35HD	Rev. A1.00+
LT40HD	Rev. K4.00+
LT40HD Super	Rev. K2.00+
LT50HD	Rev. A3.00+
LT70HD	Rev. B1.00+
LT70HD Super	Rev. A1.00+



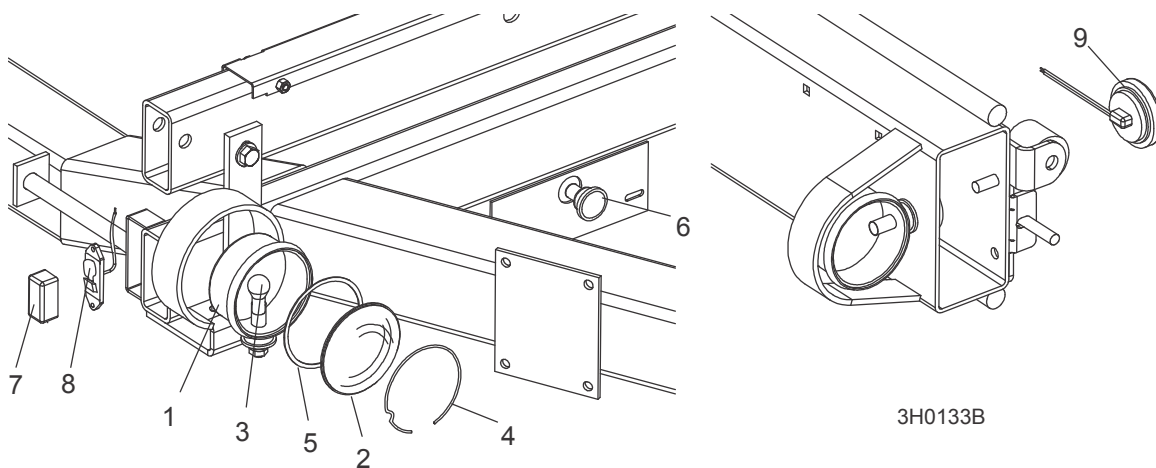
REF	DESCRIPTION (◆ Indicates Parts Available In Assemblies Only)	PART #	QTY.	
	PLUG, 7-PIN ELECTRIC BRAKE TRAILER LIGHT MALE (NOT SHOWN)	P11569	1	
	PLUG, 7-PIN ELECTRIC BRAKE TRAILER LIGHT FEMALE(NOT SHOWN)	P11755	1	
1	LIGHT ASSEMBLY, TRAILER TAIL LED	006391	2	
2	GROMMET, 6 1/2" LIGHT MOUNTING	006688	2	
3	GUARD, IDLE-SIDE TAIL LIGHT	006600	1	
4	PLATE, BED TUBE END W/LIGHT MOUNT	057822	1	
5	WASHER, 1/4" SPLIT LOCK	F05011-14	2	
6	BOLT, 1/4-20 X 3/4" HEX HEAD FULL THREAD	F05005-1	2	
7	BOLT, 1/4-20 X 3/4" HEX W/CONICAL WASHER HEAD	F05005-134	2	
8	LIGHT, LICENSE PLATE	P09928	1	
	LIGHT, RECTANGLE RED RUNNING	P12905	1	
	LIGHT, RECTANGLE AMBER RUNNING (NOT SHOWN)	P12906	1	
9	Lens, Rectangle Red Running Light	P12921	1	
	Lens, Rectangle Amber Running Light	P12922	1	
10	Bulb, Rectangle Running Light Replacement	P12923	1	◆
	LIGHT, ROUND RED RUNNING	P12913	1	
	LIGHT, ROUND AMBER RUNNING (NOT SHOWN)	P12914	1	
11	Light, Round Red Running Replacement	P12917	1	
	Light, Round Amber Running Replacement	P12918	1	
12	Pigtail, Round Running Light Replacement	P12920	1	

13	Grommet, Round Running Light Replacement	P12919	1	
----	------------------------------------------	--------	---	--

# 3 Parts List Trailer Lights

## 2.23 Trailer Lights

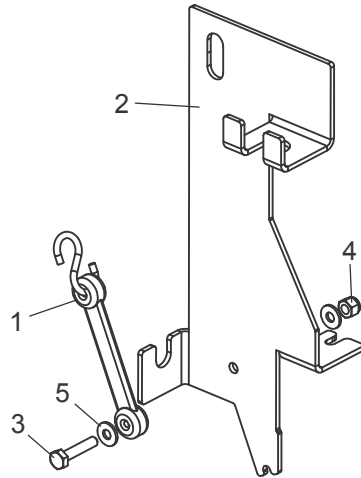
**LT30HD** Rev. G1.00 - K1.03  
**LT40HD** Rev. G1.00 - K3.01  
**LT30HD Super** Rev. G1.00+  
**LT40HD Super** Rev. G1.00 - K1.02  
**LT50HD** Rev. A1.00 - A2.02  
**LT70HD** Rev. A1.00 - A9.00



REF	DESCRIPTION (◆ INDICATES PARTS AVAILABLE IN ASSEMBLIES ONLY)	PART #	QTY.	
	PLUG, 6-PIN ELECTRIC BRAKE TRAILER LIGHT MALE (NOT SHOWN)	014080	1	
	PLUG, 6-PIN ELECTRIC BRAKE TRAILER LIGHT FEMALE (NOT SHOWN)	014078	1	
<b>1</b>	<b>LIGHT ASSEMBLY, TRAILER TAIL</b>	P04294	2	
<b>2</b>	Lens, Grote Tail Light #90012	P12509	1	
<b>3</b>	Bulb, #1157 Trailer Light	P04481	1	
<b>4</b>	Clip, Grote Tail Light Retainer	P12510	1	
<b>5</b>	Gasket, Grote Tail Light Lens	P12511	1	
<b>6</b>	<b>LIGHT, LICENSE PLATE</b>	P09928	1	
	<b>LIGHT, RECTANGLE RED RUNNING</b>	P12905	1	
	<b>LIGHT, RECTANGLE AMBER RUNNING (NOT SHOWN)</b>	P12906	1	
<b>7</b>	Lens, Rectangle Red Running Light	P12921	1	
	Lens, Rectangle Amber Running Light	P12922	1	
<b>8</b>	Bulb, Rectangle Running Light Replacement	P12923 <sup>1</sup>	1	◆
<b>9</b>	<b>LIGHT, ROUND RED RUNNING</b>	P12913	1	
	<b>LIGHT, ROUND AMBER RUNNING (NOT SHOWN)</b>	P12914	1	
	Light, Round Red Running Replacement	P12917	1	
	Light, Round Amber Running Replacement	P12918	1	
	Pigtail, Round Running Light Replacement	P12920	1	
	Grommet, Round Running Light Replacement	P12919	1	

<sup>1</sup> Running light bulb P12923 no longer offered. Bulb is readily available at most local auto parts stores.

## 2.24 Wrench Bracket Assembly



SM0382

REF	DESCRIPTION (◆ INDICATES PARTS AVAILABLE IN ASSEMBLIES ONLY)	PART #	QTY.	
	<b>BRACKET ASSEMBLY, FAO WRENCH</b>	075717	1	
1	Strap, Rubber 6	016542	1	
2	Bracket, FAO Wrench Mount	075710	1	
3	Bolt, 1/4-20 x 1 1/4" Hex Head Full Thread Cap	F05005-3	1	
4	Nut, 1/4-20 Nylon Lock	F05010-69	1	
5	Washer, 1/4" SAE Flat	F05011-11	2	