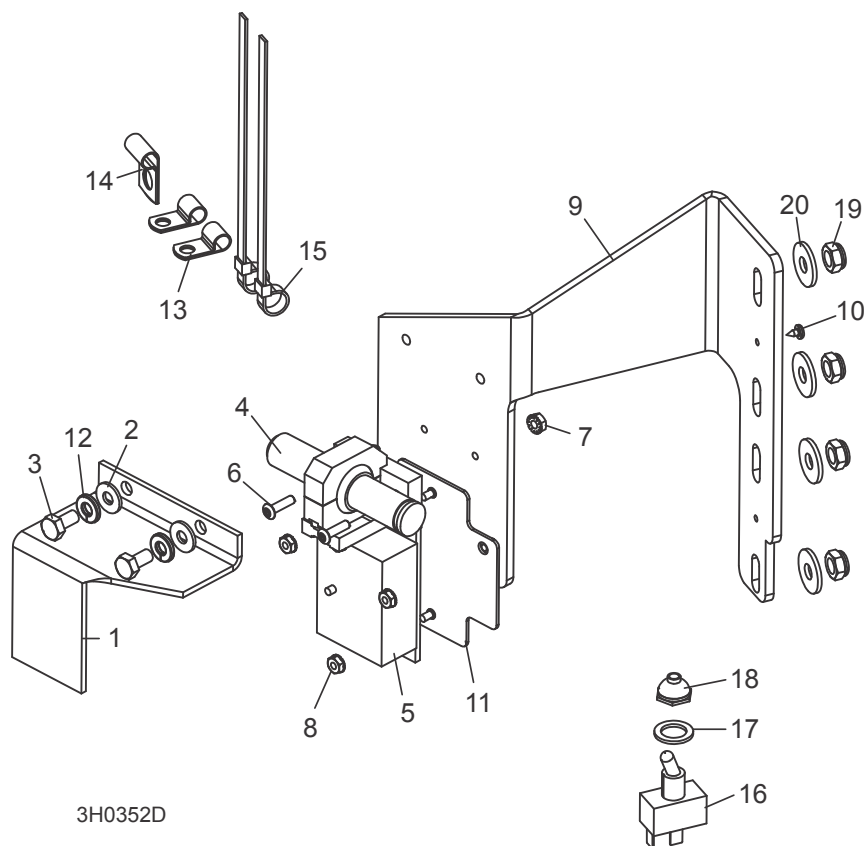


SECTION 3 REPLACEMENT PARTS

3.1 Laser Assembly



REF	DESCRIPTION (◆ Indicates Parts Available In Assemblies Only)	PART #	QTY.	◆
	BRACKET ASSEMBLY, 97 LASER	024193	1	◆
1	Hood, Laser Bracket	015508	1	
2	Washer, 1/4" SAE Flat	F05011-11	2	
3	Bolt, 1/4-20 X 1/2" Hex Head	F05005-15	2	
	Laser Kit, Replacement w/Power Supply	050500 ¹	1	
4	Laser, 60deg Line w/Std Bkt & Connector	050367	1	
	Bracket, Laser Mount (Plastic)	045250	1	
5	Power Supply, Laser w/Connector	050368	1	
	Tie Wrap, 1/4" x 6"	F05089-1	2	
	Instruction Sheet, Laser Replacement	050500-1069	1	
6	Screw, #8-32 X 5/8" Socket Button Head Stainless Steel	F05004-98	2	
7	Nut, #8-32 Self Locking	F05010-41	2	
8	Nut, #6-32 Self Locking	F05010-59	2	

9	Bracket Weldment, Laser	015509	1	
10	Screw, #6 X 1/4" Philips Head Met	F05015-4	1	
11	Mount Weldment, Power Supply	075750	1	
12	Washer, 1/4" Split Lock	F05011-14	2	
	BAG ASSEMBLY, 97 LASER PARTS	024194	1	
13	Clamp, 1/4" Wire 9/32" Mounting Hole	025671 ²	2	
14	Clamp, 1/4" Wire 13/32" Mounting Hole EMT	024155	1	
15	Tie Wrap, 1/4" x 6"	F05089-1	2	
16	Switch, Toggle	P03027	1	
17	Washer, 1/2" x 3/4" x 1/16" Nylon	P05251-1	1	
18	Boot, Toggle Switch	P02575	1	
	Fuse Assembly	024151	1	
	Fuse, ATO 1A Dark Grey	024150-1	1	
19	Nut, 5/16-18 Nylon Lock Jam	F05010-121	4	
20	Washer, 5/16" Standard Flat	F05011-16	4	

¹ Replaces 024143 originally supplied before 2/02. Kit 050500 includes separate laser and power supply for easier replacement.

² Replaces 024148 1/8" Wire 9/32" Mounting Hole EMT Clamp (1/12).