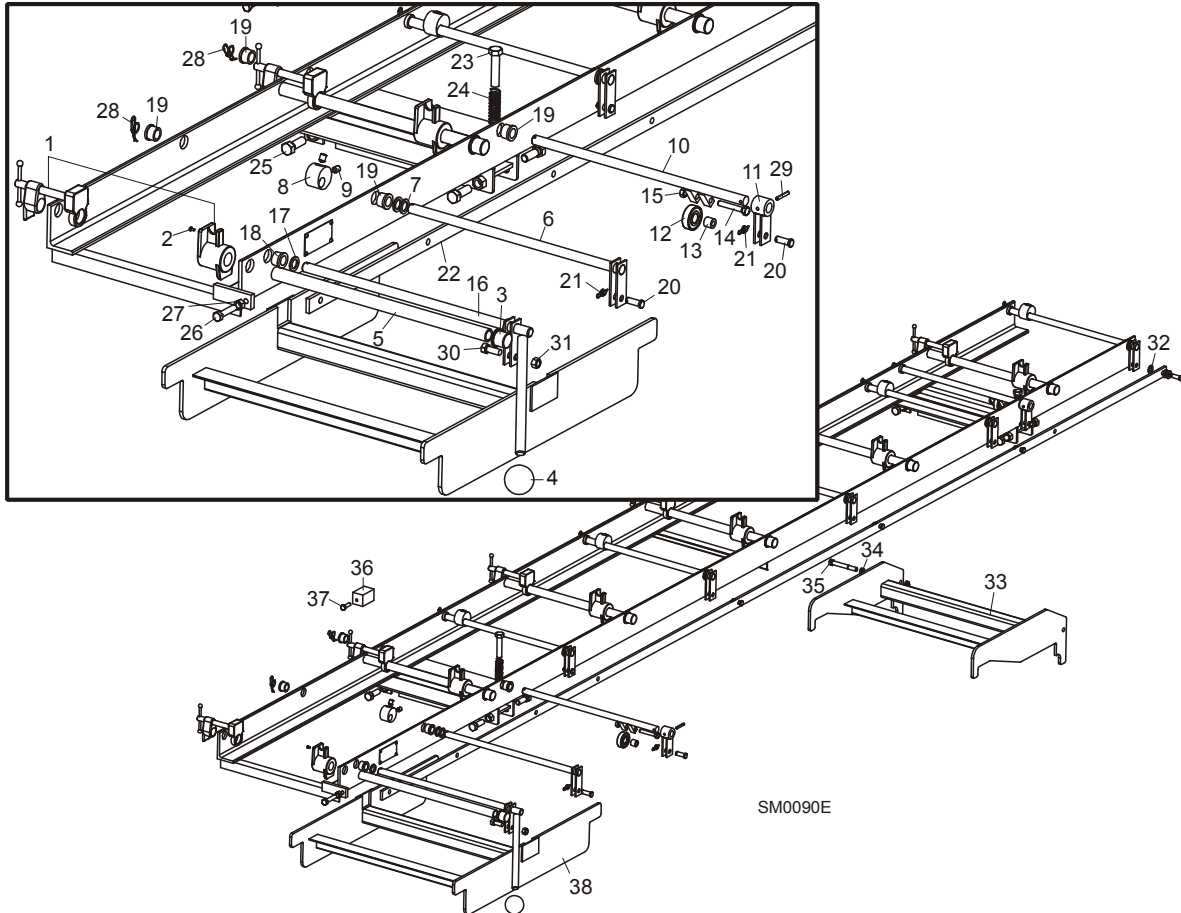


SECTION 2 REPLACEMENT PARTS

2.1 Shingle Lap Siding Option



REF	DESCRIPTION (◆ Indicates Parts Available In Assemblies Only)	PART #	QTY.
	SHINGLE/LAP SIDING OPTION, COMPLETE	SLR	1
	Clamp Assembly, SLR Pony	A05157	6
1	Clamp, SLR Pony	P05144	1 ◆
2	Screw, #6 X 1/4" Drive	F05015-6	1
3	Cap, 1/2" Pipe End	P05146	6
4	Knob, Plastic Round	P04211	1
5	Shaft, Pony Clamp	P05120	6
	Frame, Shingle/lap Siding Option	A07324	1 ◆
	Cam Shaft Assembly	A07329	6
6	Shaft, SLR Cam	W05138	1 ◆
7	Washer, 5/8 I.d. X .100 Thick Nylon	F05011-19	1
	Cam Roller Assembly	A07327	6

2 Replacement Parts

Shingle Lap Siding Option

8	Roller, SLR Cam	S05129	1	◆
9	Screw, 3/8-16 X 1/2" Socket Head Cup Point	F05007-12	2	
	Roller Bearing Shaft Assembly	A07326	2	
10	Shaft, SLR Roller Bearing	W05139	1	◆
11	Sleeve, Roller Shaft Pivot	W05136	1	
12	Bearing, 5/8" 6203-2NSL	P06030-1	1	
13	Bushing, SLR Roller Bearing	S05142	1	
14	Bolt, 5/16-18 X 2" Hex Head Full Thread	F05006-13	1	
15	Nut, 5/16-18 Hex Lock	F05010-6	1	
	Handle Assembly, SLR Replacement	016035	1	
	Handle Shaft Assembly	A07328	1	◆
16	Shaft, SLR Handle	W04977	1	◆
17	Washer, 5/8" X .100 Thick Nylon	F05011-19	2	
18	Bushing, .635x7/8x1/2 Bronz	105908	1	
19	Bushing, .635x7/8x1/2 Bronz	105908	17	
20	Pin, 3/8" X 1 3/32" Clevis	F05012-8	8	
21	Pin, 3/8" Clevis Retaining	F05012-136 ¹	8	
22	Link Arm, SLR	S05140	1	
23	Bolt, 1/2-13 X 2 1/4" Hex Head Full Thread	F05008-2	2	
24	Spring, SLR Adjustment	P05155	2	
25	Bolt, 1/2-13 X 1 1/2" Hex Head	F05008-3	8	
26	Bolt, 3/8-16 X 1 3/4" Hex Head Full Thread	F05007-19	1	
27	Nut, 3/8-16 Hex	F05010-1	1	
28	Pin, 1/8" X 1" Cotter	F05012-1	9	
29	Pin, 5/8" Clevis Retaining	F05012-135 ¹	2	
30	Bolt, 3/8-16 x 1" Hex Head	F05007-7	2	
31	Nut, 3/8-16 2-way Self-locking	F05010-25	2	
32	Washer, 3/8" Flat	F05011-3	3	
	INSTALL KIT, LT15 SLR (Required for LT15 Rev. E4.00 - E6.03, Bed Rev. E.00 - F.00)	SLRKIT-LT15	1	
33	Mount Weldment, LT15 SLR	047693 ²	1	
34	Nut, 3/8-16 Hex Jam	F05010-29	2	
35	Bolt, 3/8-16 x 3" Hex Head Grade 5	F05007-73	1	
36	Block, SLR Stop	047694	1	
37	Bolt, 5/16-18 x 1" Hex Head Grade 5	F05006-27	1	
38	INSTALL KIT, LT15 SLR (Required for LT15 Rev. E6.04+, Bed Rev. G.00+)	SLRKIT-LT15.1	1	

¹ 3/8" Clevis Retaining Pin (F05012-136) replaces 3/32 x 3/4" Cotter Pin (F05012-9) and 5/8" Clevis Retaining Pin (F05012-135) replaces 3/16" X 1 1/4" Roll Pin (F05012-16) (11/10). (3/32 x 3/4" Cotter Pin (F05012-9) previously replaced F05012-44 1/16" x 1" Cotter Pin.)

² Mount Weldment 047693 modified 10/07 to allow SLR to mount to new Rev. F.00 bed assemblies (LT15 Rev. E6.03). Mount will still work on old-style bed assemblies.