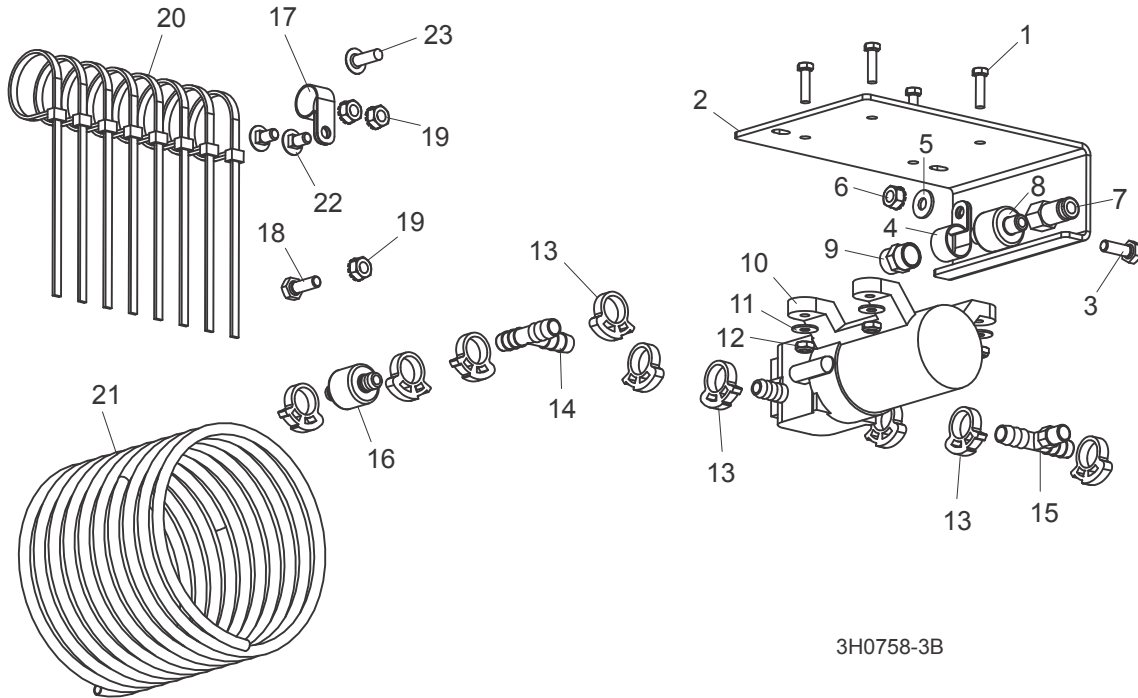


SECTION 4 REPLACEMENT PARTS

4.1 Pump Assembly (LMS-HP/LMS-A)



REF	DESCRIPTION (◆ Indicates Parts Available In Assemblies Only)	PART #	QTY.
1	BOLT, #10-24 X 3/4" UNSLOTTED HEX HEAD	F05004-167	4
2	PLATE, PUMP MOUNTING	033494	1
3	BOLT, 1/4-20 X 3/4" HEX HEAD FULL THREAD	F05005-1 ¹	1
4	CLAMP, 1/2" EMT COATED	010748	1
5	WASHER, 1/4" SAE FLAT	F05011-11	1
6	NUT, 1/4-20 SELF LOCKING	F05010-9	1
7	FITTING, 1/4" TUBE X 1/8" NPT MALE AIR	033450	1
8	VALVE, 1/8" NPT 3PSI CHECK	033449	1
9	FITTING, 1/8" FPT COUPLING	P05748	1
10	PUMP ASSEMBLY, PRESSURE LUBE	033492	1
	Head Kit, Pressure Lube Pump	033442	1
	Diode Assembly, Inductive Kick Protection	024123 ²	1
	Fitting, Pump 12VDC Feed	074750	1
11	WASHER, #10 SAE FLAT	F05011-18	4
12	NUT, #10-24 HEX SELF LOCKING	F05010-160	4
13	CLAMP, SINGLE SNAP GRIP #38	016845 ³	9
14	FITTING, 3/8" BARB TEE CONNECTOR	033451	1

4**Replacement Parts***Pump Assembly (LMS-HP/LMS-A)*

15	FITTING, 3/8" X 1/8" NPT MALE BRANCH TEE	033452	1	
16	VALVE, 3/8" BARB 6 PSI CHECK	033448	1	
17	CLAMP, 5/8" EMT COATED	010748	1	
18	SCREW, 1/4-20 X 3/4" FULL THREAD HEX HEAD CAP	F05005-1	1	
19	NUT, 1/4-20 SELF LOCKING	F05010-9	1	
20	TIE WRAP, 3/16 X 5 1/2" UV BLACK	F05089-3	7	
21	HOSE, 1/4" OD X 8.5'	033456 ⁴	1	
22	BOLT, 1/4-20 X 1/2" CARRIAGE	F05005-33	2	
23	SCREW, 1/4-20 X 3/4" PHILLIPS ROUND HEAD	F05005-138	1	
	HOSE, 1/4ODX50 (LX450 ONLY)	107942	1	
	BOLT, 1/4-20X3/4 CARRIAGE (LX450 ONLY)	F05005-113	4	

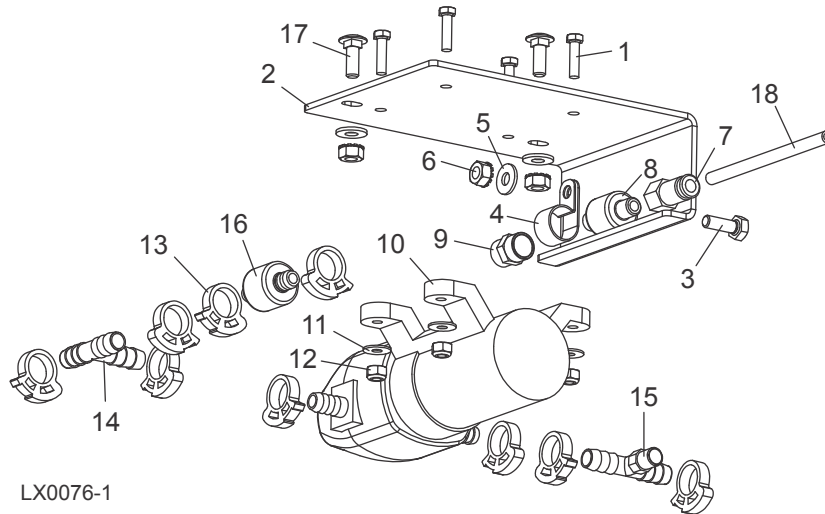
¹ Replaces F05005-15 1/4-20 x 1/2" Hex Head Bolt originally supplied prior to 11/99. Longer bolt easier to assemble.

² Added Rev. C.00 to protect power feed control circuit. Use kit 050805 to retrofit earlier revisions.

³ Replaces 033453 clamps originally supplied prior to Rev. D.01. Hoses replaced with fiber-reinforced hose to eliminate kinking.

⁴ Hose length changed from 5' to 8.5' 7/05 to accommodate LT70 model. Cut hose to length as necessary.

4.2 Pump Assembly (LMS-LX)

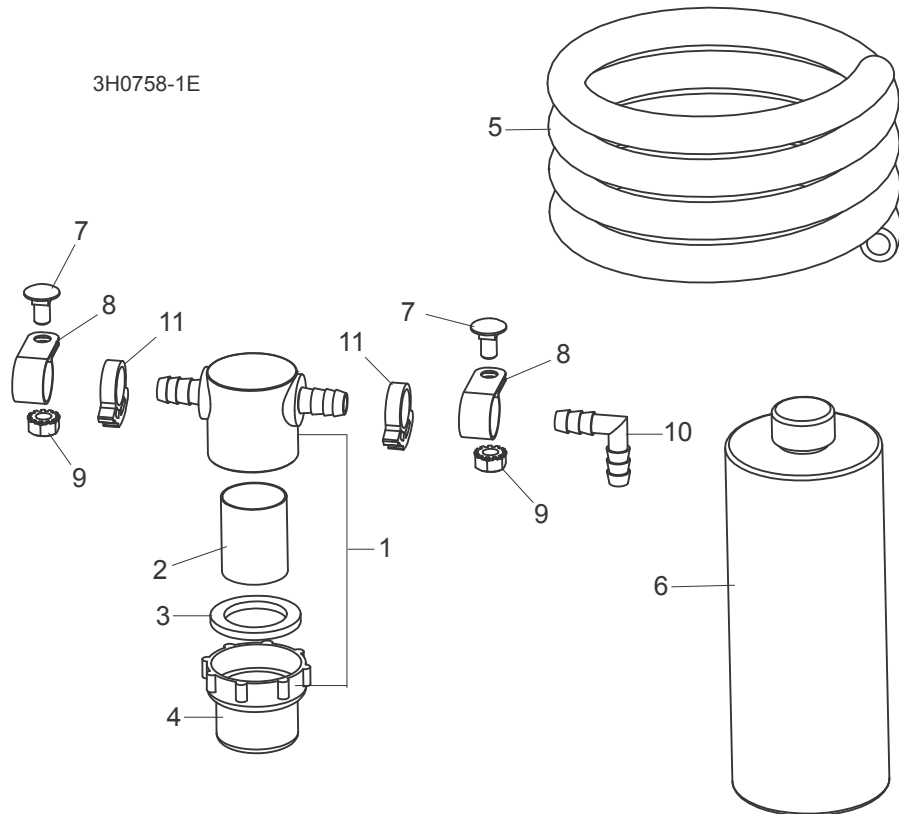


REF	DESCRIPTION (◆ Indicates Parts Available In Assemblies Only)	PART #	QTY.
1	BOLT, #10-24 X 3/4" UNSLOTTED HEX HEAD	F05004-167	4
2	PLATE, PUMP MOUNTING	033494	1
3	BOLT, 1/4-20 X 3/4" HEX HEAD FULL THREAD	F05005-1	1
4	CLAMP, 1/2" EMT COATED	010748	1
5	WASHER, 1/4" SAE FLAT	F05011-11	3
6	NUT, 1/4-20 SELF LOCKING	F05010-9	3
7	FITTING, 1/4" TUBE X 1/8" NPT MALE AIR	033450	1
8	VALVE, 1/8" NPT 3PSI CHECK	033449	1
9	FITTING, 1/8" FPT COUPLING	P05748	1
10	PUMP ASSEMBLY, PRESSURE LUBE	033492	1
	Head Kit, Pressure Lube Pump	033442	1
	Diode Assembly, Inductive Kick Protection	024123	1
	Fitting, Pump 12VDC Feed	074750	1
11	WASHER, #10 SAE FLAT	F05011-18	4
12	NUT, #10-24 HEX SELF LOCKING	F05010-160	4
13	CLAMP, SINGLE SNAP GRIP #38	016845	9
14	FITTING, 3/8" BARB TEE CONNECTOR	033451	1
15	FITTING, 3/8" X 1/8" NPT MALE BRANCH TEE	033452	1
16	VALVE, 3/8" BARB 6 PSI CHECK	033448	1
17	BOLT, 1/4-20X3/4 CARRIAGE	F05005-113	4
18	HOSE, 1/4ODX50	107942	1

4 Replacement Parts

Filter Assembly (LMS-HP/LMS-A)

4.3 Filter Assembly (LMS-HP/LMS-A)



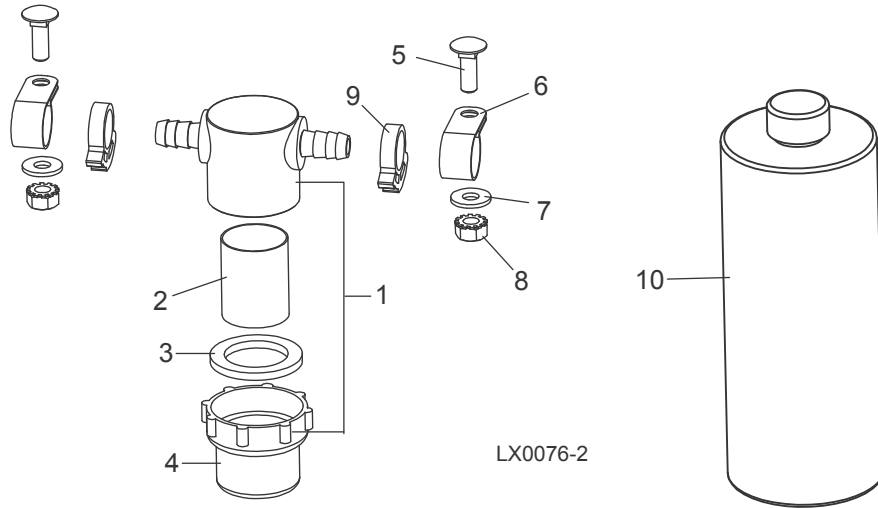
REF	DESCRIPTION (◆ Indicates Parts Available In Assemblies Only)	PART #	QTY.
1	FILTER, PRESSURE LUBE	033447	1
2	Screen Kit, Mesh Filter	033441	1
3	Gasket, Filter Bowl	061768	1
4	Bowl, LubeMizer Filter Replacement	003198	1
5	HOSE, 3/8" X 9/16" X 14"	033455 ¹	1
	HOSE, 3/8" X 9/16" X 4'	033446 ¹	1
6	LUBRICANT, 4-PAK 60 OZ. BOTTLES LUBEMIZER	ADD-1 ²	1
7	BOLT, 1/4-20 X 1/2" CARRIAGE	F05005-33	2
8	CLAMP, 5/8" EMT COATED	010748	2
9	NUT, 1/4-20 SELF-LOCKING	F05010-9	2
10	FITTING, 3/8" HOSE BARB ELBOW	028420 ³	1
11	CLAMP, SINGLE SNAP GRIP #38	016845	2

¹ Hoses changed to fiber-reinforced hose to eliminate kinking (Rev. D.01). Requires nine clamps 016845 to retrofit previous revisions.

² Single 60 oz. bottle 039422 no longer available. Use 4-pak 60 oz. bottle ADD-1.

³ Elbow fitting added Rev. A.02 to eliminate kink in hose between filter and 'T' fitting.

4.4 Filter Assembly (LMS-LX)



REF	DESCRIPTION (◆ Indicates Parts Available In Assemblies Only)	PART #	QTY.	
1	FILTER, PRESSURE LUBE	033447	1	
2	Screen Kit, Mesh Filter	033441	1	
3	Gasket, Filter Bowl	061768	1	
4	Bowl, LubeMizer Filter Replacement	003198	1	
5	BOLT, 1/4-20 X 3/4 CARRIAGE	F05005-113	2	
6	CLAMP, 5/8" EMT COATED	010748	2	
7	WASHER, 1/4 SAE FLAT	F05011-11	2	
8	NUT, 1/4-20 SELF-LOCKING	F05010-9	2	
9	CLAMP, SINGLE SNAP GRIP #38	016845	2	
10	LUBRICANT, 4-PAK 60 OZ. BOTTLES LUBEMIZER	ADD-1	1	

4

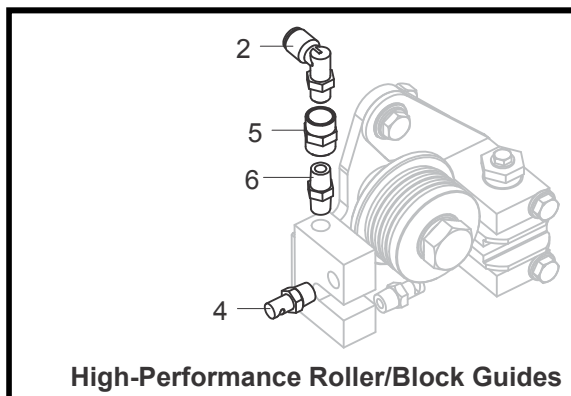
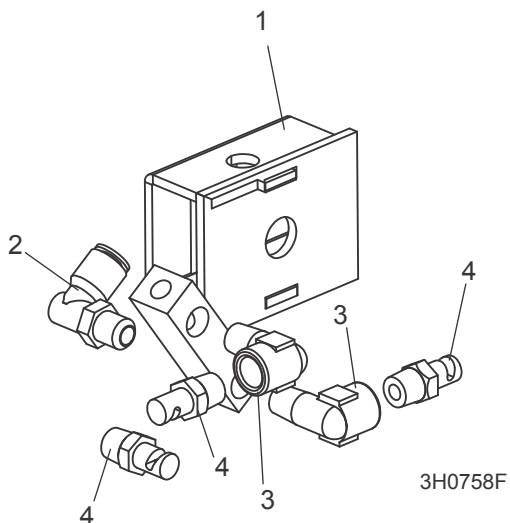
Replacement Parts

Blade Guide Block Assembly (LMS-A Only)

4.5 Blade Guide Block Assembly (LMS-A Only)

LMS-A

Rev. A.01+



High-Performance Roller/Block Guides

REF	DESCRIPTION (◆ Indicates Parts Available In Assemblies Only)	PART #	QTY.
	GUIDE KIT, PRESSURE LUBE	003271	1
1	Block Weldment, Pressure Lube	033464	1
2	Fitting, 90° Elbow 1/8" MPT 1/4" Tube Swivel	P09736	1
3	Fitting, 1/8" NPT Street Elbow Long	033440	2
4	Nozzle, Blade Lube Spray	033479	3
	FITTING, 1/16" NPT PLUG	P09206 ¹	1
5	FITTING, 1/8" FPT COUPLING	P05748 ²	1
6	FITTING, 1/8" DRY SEAL NIPPLE	P02764 ²	1

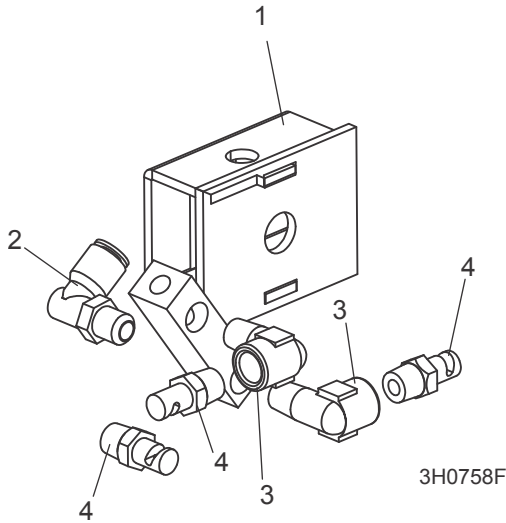
¹ Plug removed 1/00. Hole is now plugged by weld.

² Added 4/08 for High-Performance block/roller guide configurations to improve hose routing.

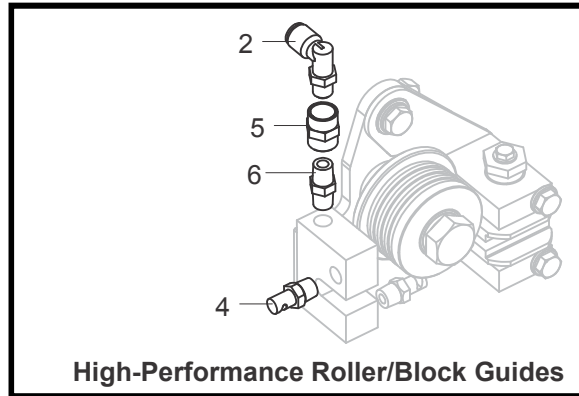
4.6 Blade Guide Block Assembly

LMS-A

Rev. A.00



3H0758F



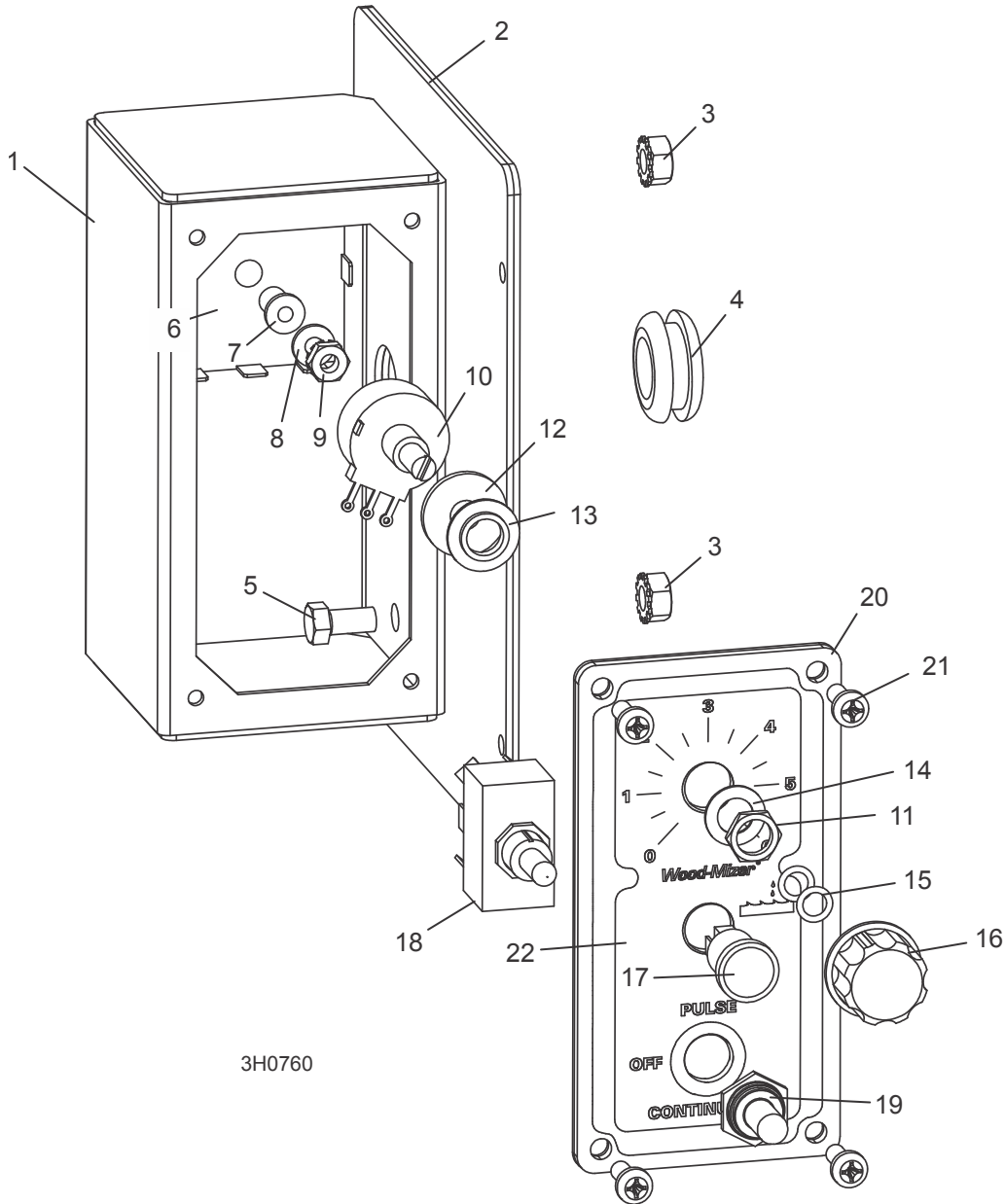
REF	DESCRIPTION (◆ Indicates Parts Available In Assemblies Only)	PART #	QTY.	
	GUIDE KIT, PRESSURE LUBE	003271	1	
1	Block Weldment, Pressure Lube	033464	1	
2	Fitting, 90° Elbow 1/8" MPT 1/4" Tube Swivel	P09736	1	
3	Fitting, 1/8" NPT Street Elbow Long	033440	2	
4	Nozzle, Blade Lube Spray	033479	3	

4 Replacement Parts

Control Box Assembly

4.7 Control Box Assembly

LMS-A Rev A.00+
 LMS-RA Rev. E.00+
 LMS-LX Rev A.00+



REF	DESCRIPTION (◆ Indicates Parts Available In Assemblies Only)	PART #	QTY.	
	CONTROL ASSEMBLY, LUBEMIZER	025017 ¹	1	
1	Control Box Weldment, LubeMizer	033481	1	
2	Panel Weldment, Side	033495	1	◆
	Gasket, Side Panel	015274	1	◆

3	Nut, 1/4-20 Self Locking	F05010-9	2	
4	Grommet, 5/8" ID x 3/16" Rubber	033475	1	
5	Bolt, 1/4-20 x 1/2" Hex Head	F05005-15	2	
6	Timer, Repeat Cycle 12VDC 1A .2 - 60 sec	024530	1	
7	Insulator, Nylon Screw #10 1/2"	024409	1	
8	Washer, #8 SAE Flat	F05011-41	1	
9	Nut, #10-24 Self Locking	F05010-14	1	
	Potentiometer Assembly, 500K 2W 10% CP Panel Mount w/Wires	024590	1	
10	Potentiometer	N/A	1	◆
11	Nut	N/A	1	◆
12	Washer, 5/16" Standard Flat	F05011-16	1	
13	Washer, 3/8" ID x 3/4" OD Nylon Shoulder	033454	1	
14	Washer, 3/8" ID x 5/8" OD x .032 Thick Nylon	033444	1	
15	O-Ring, 7/32" ID #009	033476	2	
16	Knob, 1/4" ID Fluted Round Plastic	033478	1	
17	Light, Green 12V .187 Tabs	E20483	1	
18	Switch, 15A Toggle	024588	1	
19	Boot, Toggle Switch Sealing	024589	1	
20	Plate, Control Panel Lube	033487	1	◆
	Gasket, LubeMizer	033488	1	◆
21	Bolt, #10-24 x 1/2" Pan Head	F05015-17	4	
22	Decal, LubeMilzer Control Panel	033498	1	◆
	Fuseholder, 3-20A ATC In-Line w/Cover	024555	2	
	Fuse, 2A ATO Blade Lt Grey	024150-2	1	
	Fuse, 4A ATO Blade Pink	024150-4	1	

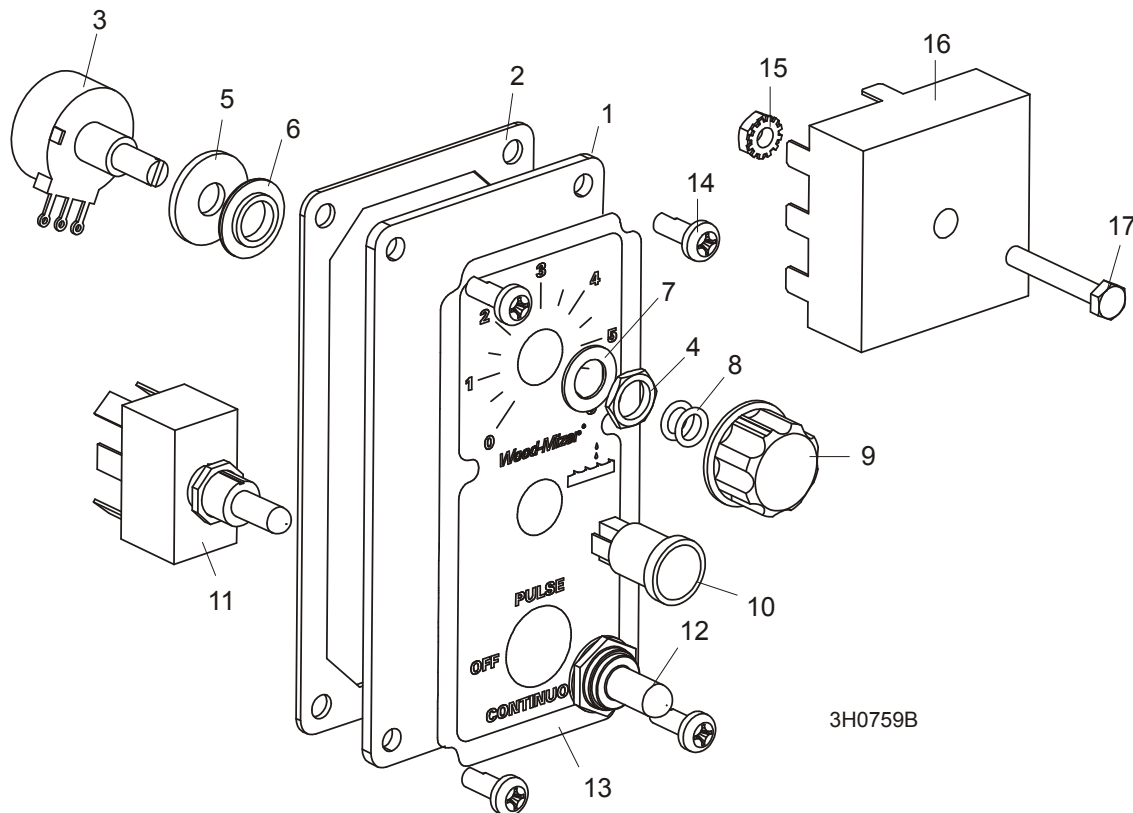
¹ Replacement Control Kit 025017 replaces 033480 Control Assembly originally supplied. Kit includes hardware necessary to make ring terminal connection to power feed drum switch (Rev. B.00+).

4 Replacement Parts

Remote Control Box Assembly

4.8 Remote Control Box Assembly

LMS-RA Rev. A.00 - D.01



REF	DESCRIPTION (◆ Indicates Parts Available In Assemblies Only)	PART #	QTY.	
	CONTROL ASSEMBLY, LUBEMIZER REMOTE	033484	1	
1	Plate, Control Panel Lube	033487	1	◆
2	Gasket, LubeMizer	033488	1	◆
	Potentiometer, 500K 2W 10% CP Panel Mount	024553	1	
3	Potentiometer	N/A	1	◆
4	Nut	N/A	1	◆
5	Washer, 5/16" Standard Flat	F05011-16	1	
6	Washer, 3/8" ID x 3/4" OD Nylon Shoulder	033454	1	
7	Washer, 3/8" ID x 5/8" OD x .032 Thick Nylon	033444	1	
8	O-Ring, 7/32" ID #009	033476	2	
9	Knob, 1/4" ID Fluted Round Plastic	033478	1	
10	Light, Green 12V .187 Tabs	E20483	1	
11	Switch, 15A Toggle	024588	1	
12	Boot, Toggle Switch Sealing	024589	1	
13	Decal, LubeMilzer Control Panel	033498	1	◆
14	BOLT, #10-24 X 1/2" PAN HEAD	F05015-17	4	
15	NUT, #10-24 SELF LOCKING	F05010-14	1	

Replacement Parts
Remote Control Box Assembly

4

16	TIMER, REPEAT CYCLE 12VDC 1A .2 - 60 SEC	024530	1	
17	SCREW, #10-24 X 1 1/4" HEX HEAD	F05004-19	1	
	FUSEHOLDER, 3-20A ATC IN-LINE W/COVER	024555	2	
	FUSE, 2A ATO BLADE LT GREY	024150-2	1	
	FUSE, 4A ATO BLADE PINK	024150-4	1	